



|                     |              |
|---------------------|--------------|
| <b>Project:</b>     | <b>Type:</b> |
| <b>Prepared By:</b> | <b>Date:</b> |

| Driver Info |                  | LED Info       |                 |
|-------------|------------------|----------------|-----------------|
| Type        | Constant Current | Watts          | 45W             |
| 120V        | 0.39A            | Color Temp     | 4000K (Neutral) |
| 208V        | 0.22A            | Color Accuracy | 76 CRI          |
| 240V        | 0.19A            | L70 Lifespan   | 100,000 Hours   |
| 277V        | 0.17A            | Lumens         | 5,648 lm        |
| Input Watts | 44.2W            | Efficacy       | 127.8 lm/W      |

## Technical Specifications

### Compliance

#### UL Listed:

Suitable for wet locations

#### IP Rating:

Ingress protection rating of IP66 for dust and water

#### Title 24 Compliant:

An IVEPARK edgelit garage fixture with a WS2 control option can be used to comply with 2016 Title 24 Part 6 Section 130.2 (a,b,c)

#### IESNA LM-79 & lm-80 Testing:

RAB LED luminaires and LED components have been tested by an independent laboratory in accordance with IESNA lm-79 and lm-80

### LED Characteristics

#### LEDs:

Long-life, high-efficacy, surface-mount LEDs

#### Color Stability:

LED color temperature is warrantied to shift no more than 200K in color temperature over a 5-year period

#### Color Uniformity:

RAB's range of Correlated Color Temperature follows the guidelines of the American National Standard for Specifications for the Chromaticity of Solid State Lighting (SSL) Products, ANSI C78.377-2017.

### Performance

#### Lifespan:

Up to 100,000-Hour LED lifespan based on IES LM-80 results and TM-21 calculations

### Construction

#### Cold Weather Starting:

The minimum starting temperature is -20°C (-4°F)

#### Maximum Ambient Temperature:

Suitable for use in up to 40°C (104°F)

#### Mounting:

Surface mount standard (accessories available for wall, pole and trunnion mount)

#### Lens:

Diffused Polymethyl Methacrylate (PMMA)

#### Finish:

Formulated for high durability and long-lasting color

#### Green Technology:

Mercury and UV free. RoHS-compliant components.

### Other

#### Warranty:

RAB warrants that our LED products will be free from defects in materials and workmanship for a period of five (5) years from the date of delivery to the end user, including coverage of light output, color stability, driver performance and fixture finish. RAB's warranty is subject to all terms and conditions found at [rablighting.com/warranty](http://rablighting.com/warranty).

#### Buy American Act Compliance:

RAB values USA manufacturing! Upon request, RAB may be able to manufacture this product to be compliant with the Buy American Act (BAA). Please contact customer service to request a quote for the product to be made BAA compliant.

### Electrical

#### Driver:

Class 2, 50/60Hz, 120-277V, 4kV standard, 10kV optional, 120V: 0.38A, 208V: 0.22A, 240V: 0.19A, 277V: 0.17A

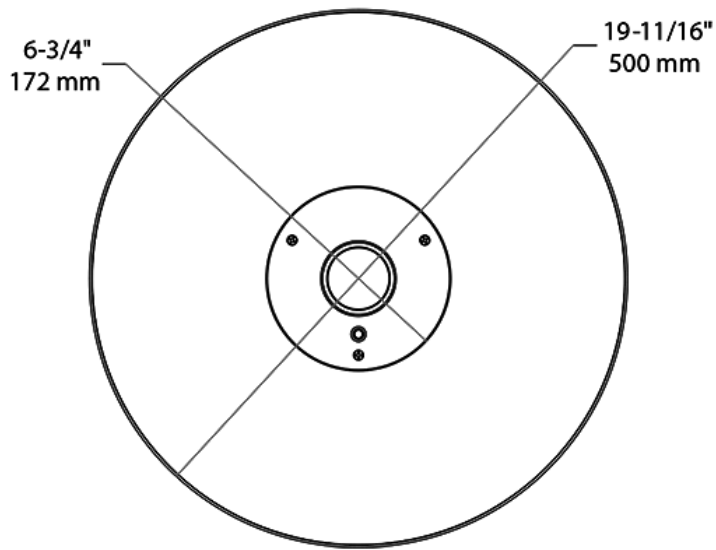
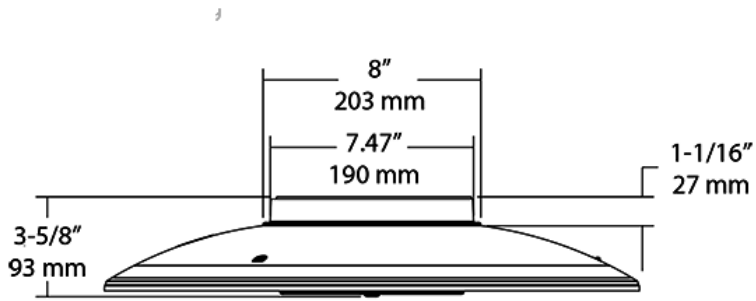
#### THD:

12.93% at 120V, 12.53% at 277V

#### Power Factor:

98.9% at 120V, 95.15% at 277V

Dimensions



## Ordering Matrix

| Family | Distribution   |   | Lumen Output   | CRI/Color Temp   | Finish   | Voltage/Driver  | Sensor Options  | Lightcloud  | Emergency Option   |
|--------|--|---|--|--|--|---|---|---|--|
| IVG    | T5C  | - | 50L  | 740  | W  | U   |   |   |  |
|        | <b>T5</b> = Type V Wide<br><b>T5C</b> = Type V Concentrated<br><b>T5U</b> = Type V Wide with Uplight<br><b>T5CU</b> = Type V Concentrated with Uplight |   | <b>30L</b> = 3,600lm (28W)<br><b>50L</b> = 5,500lm (45W)<br><b>70L</b> = 7,500lm (69W) | <b>750</b> = 70CRI 5000K<br><b>740</b> = 70CRI 4000K<br><b>730</b> = 70CRI 3000K | <b>Z</b> = Bronze <sup>1</sup><br><b>W</b> = White | <b>U</b> = 120-277V 0-10V Dimming<br><b>4</b> = 480V 0-10V Dimming <sup>3</sup> | <b>Blank</b> = No Options<br><b>/WS</b> = 8ft lens Wattstopper<br><b>/WS2</b> = 20ft lens Wattstopper | <b>Blank</b> = No Lightcloud®<br><b>/LC</b> = Lightcloud® Controller <sup>2</sup> | <b>Blank</b> = No Options<br><b>/E2</b> = Emergency <sup>2</sup> |

<sup>1</sup> Available only for T5 and T5C distribution

<sup>2</sup> Applies to 120-277V

<sup>3</sup> Consult Factory