

INSTRUCTIONS

IVELOT® Edge-lit Area Light

RAB®

RAB Lighting is committed to creating high-quality, affordable, well-designed and energy-efficient LED lighting and controls that make it easy for electricians to install and end users to save energy. We'd love to hear your comments. Please call the Marketing Department at 888-RAB-1000 or email: marketing@rablighting.com

IVELOT



IMPORTANT

READ CAREFULLY BEFORE INSTALLING FIXTURE. RETAIN THESE INSTRUCTIONS FOR FUTURE REFERENCE.

RAB fixtures must be wired in accordance with the National Electrical Code and all applicable local codes. Proper grounding is required for safety. THIS PRODUCT MUST BE INSTALLED IN ACCORDANCE WITH THE APPLICABLE INSTALLATION CODE BY A PERSON FAMILIAR WITH THE CONSTRUCTION AND OPERATION OF THE PRODUCT AND THE HAZARDS INVOLVED.

WARNINGS:

- Make certain power is OFF before installing or maintaining fixture. No user serviceable parts inside.
- To prevent wiring damage or abrasion, do not expose wiring to edges of sharp objects.

CAUTION: For proper weatherproof function, all gaskets must be seated properly and all screws inserted and tightened firmly. Apply weatherproof silicone sealant around the edge of the back Bbox and/or junction box. This is especially important with an uneven wall surface. Silicone all plugs and unused conduit entries.

MOUNTING POLE ADAPTER TO THE POLE

1. Remove the **Cover** from the **Pole Adapter**.
2. Place the **Pole Adapter** and **Bolster Plate** up to the pole as shown in Fig 1.
3. If mounting onto a square pole, use the supplied **Square Pole Adapter** plate between the Pole and Arm.
4. Line up the **Pole Adapter** and **Bolster Plate** with the pole drilling pattern.
5. Place flat **Washers**, **Lock Washers** and nuts on the **3/8-16 Bolts** and tighten to the pole.
6. Feed supply wires from the pole through the mounted **Pole Adapter**.

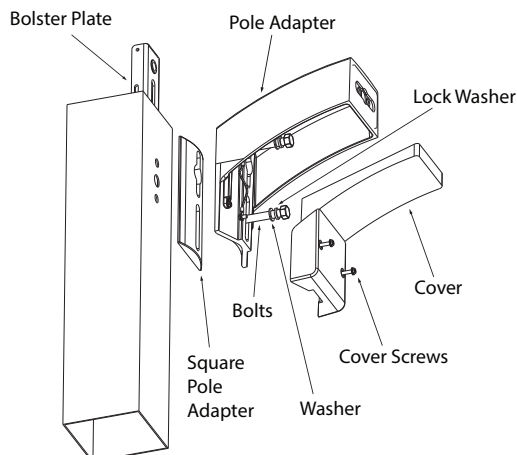


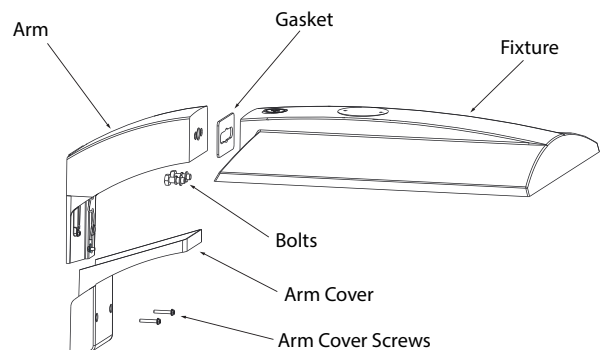
FIG. 1

MOUNTING FIXTURE TO THE POLE ADAPTER

Mounting the fixture to the pole adapter, Fig 2.

1. Feed wires from **Fixture** through **Gasket** into **Pole Adapter**.
2. Line up **Pole Adapter** and **Fixture**. Place **Flat Washers** and **Lock Washers** on the **3/8-16 Bolts** inside the **Pole Adapter** and tighten securely to housing.
3. Make sure the **Gasket** is secure between **Pole Adapter** and **Fixture**.
4. Make necessary connections to the supply wires inside the **Pole Adapter** and knot wires for strain relief.
5. Replace the **Cover**. Tighten **Screws** and secure pole cap.

FIG. 2



INSTRUCTIONS

VELOT® Edge-lit Area Light

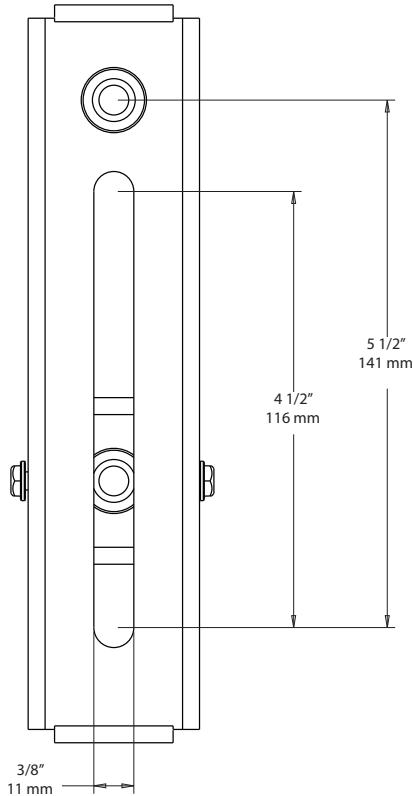


RAB Lighting is committed to creating high-quality, affordable, well-designed and energy-efficient LED lighting and controls that make it easy for electricians to install and end users to save energy. We'd love to hear your comments. Please call the Marketing Department at 888-RAB-1000 or email: marketing@rablighting.com

POLE DRILLING DETAIL

Dimensions of the holes on **PA** and **Bolster Plate**. This template is not to scale. Please use measurements shown in Fig.3.

FIG. 3

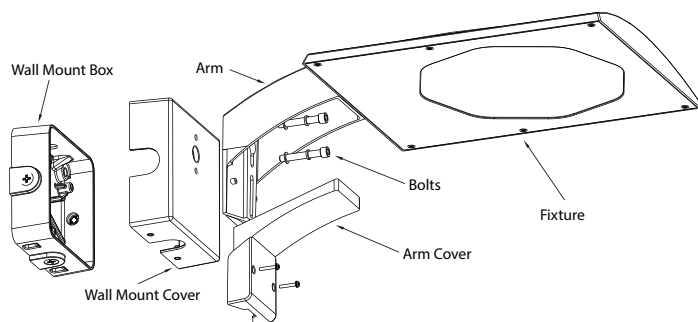


WALL MOUNTING

Mounting the universal arm on the fixture

1. Remove the **Arm Cover** from the **Arm**.
2. Feed wires from **Fixture** through **Gasket** into **Arm**.
3. Line up **Arm** and **Fixture**. Place flat washers and lock washers on the **Short 3/8-16 Bolts** inside the **Arm** and tighten securely to housing.
4. Feed the wires out the back of the **Arm**.

FIG. 4



MOUNTING THE UNIVERSAL ARM ON THE WALL BOX

1. Separate **Wall Mount Cover** and **Wall Mount Box**.
2. Orient box so that "TOP" is on top.
3. Feed supply wires through the **Gasket** and **Wall Mount Box**.
4. Secure **Wall Mount Box** (such as lag bolts and anchors) to a sturdy wall. Use appropriate mounting hardware such as lag bolts and anchors with washers suitable for the mounting surface.
5. Silicone around the edge of **Gasket** and/or junction box.
6. Line up **Arm** and **Wall Mount Cover**. Place flat washers, lock washers and **3/8-16 Bolts** from wall bracket, inside the **Arm** and tighten securely.
7. Feed the wires out the **Wall Mount Box Cover**.
8. Bring fixture up to the **Wall Mount Box** and slide the stainless steel **Tether** from the fixture into the **Keyhole Slot** for hands-free wiring. Connect the supply wires to the fixture wires.
9. Check that **Wall Mount Cover Gasket** between **Wall Mount Box** and **Wall Mount Cover** is secure and screw the cover on box using four screws.
10. Replace the **Arm Cover**.
11. Tighten **Plugs** and apply weatherproof silicone sealant to all unused conduit entry points. Use weatherproof silicone sealant between wall and **Wall Mount Box**.

FIG. 5

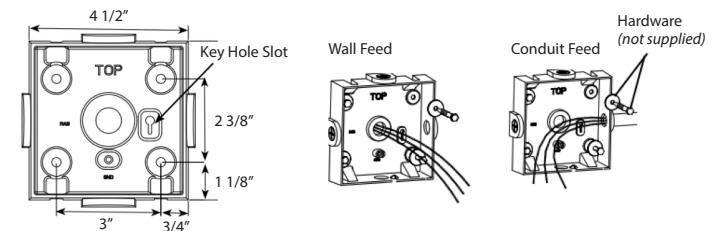
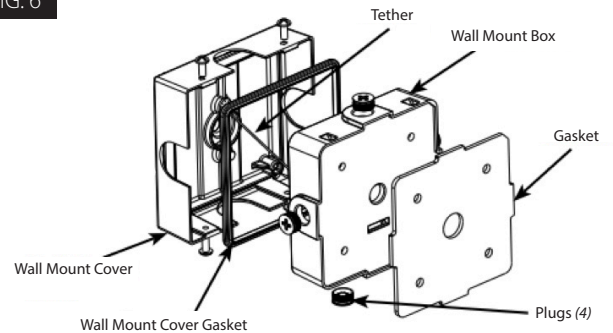


FIG. 6



INSTRUCTIONS

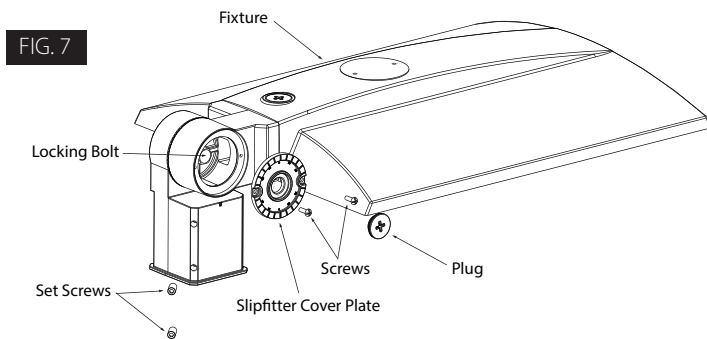
IVELOT® Edge-lit Area Light



RAB Lighting is committed to creating high-quality, affordable, well-designed and energy-efficient LED lighting and controls that make it easy for electricians to install and end users to save energy. We'd love to hear your comments. Please call the Marketing Department at 888-RAB-1000 or email: marketing@rablighting.com

SLIPFITTER MOUNTING

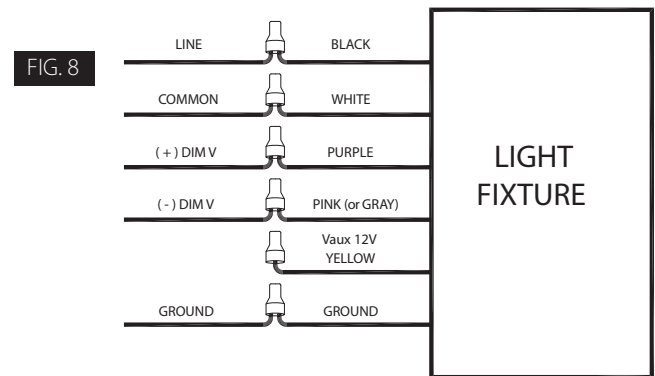
1. The **Slipfitter** fits a 2 3/8" O.D. tenon. Place the slipfitter over the tenon and secure the fixture with 2 **Set Screws** on the side of the slipfitter.
2. Feed wires from **Fixture** through slipfitter and supply wires from pole. Make the necessary connections in the slipfitter and knot wires for strain relief.
3. To adjust the angle of the slipfitter, remove 2 **Screws** and the **Slipfitter Cover Plate**. Loosen the **Locking Bolt** and swivel fixture to desired angle. The graduation on the **Slipfitter Cover Plate** can be used as guidelines to adjust the angle.
4. Tighten the **Locking Bolt**. Replace **Slipfitter Cover Plate**. Tighten **Screws** and close the **Plug**.
5. Seal **Plug** using Teflon tape or silicone sealant.



0-10V DIMMABLE WIRING

Universal voltage driver permits operation at 120-277V, 50 or 60 Hz. Units ordered with character '3' are 347V 50Hz or 60Hz, '4' are 480V, 50Hz or 60Hz. For 0-10V Dimming, follow the wiring directions in Fig. 8.

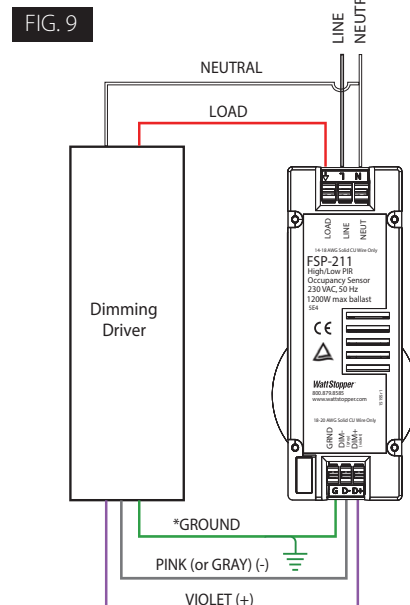
1. Connect the black fixture lead to the (+) **LINE** supply lead.
2. Connect the white fixture lead to the (-) **COMMON** supply lead.
3. Connect the **GROUND** wire from fixture to supply ground. **Do NOT connect the GROUND of the dimming fixture to the output.**
4. Connect the purple fixture lead to the (V+) **DIM** lead.
5. Connect the pink (or gray) fixture lead to the (V-) **DIM** lead.
6. Cap the yellow fixture lead, if present. **Do NOT connect.**



0-10V DIMMABLE WIRING WITH /WS SENSOR

Universal voltage driver and /WS sensor permits operation at 120-277V, 50 or 60 Hz. For 0-10V dimming with /WS sensor, follow the wiring directions in Fig. 9.

1. Connect the black fixture lead to the **LOAD** of /WS sensor.
2. Connect **LINE** of /WS sensor to **LINE** supply lead.
3. Connect the white fixture lead and **NEUTRAL** of /WS sensor to the **COMMON** supply lead.
4. Connect the **GROUND** wire from fixture and /WS sensor to supply ground. **Do NOT connect the GROUND of the dimming fixture to the output.**
5. Connect the purple fixture lead to **DIM +** of /WS sensor.
6. Connect the pink (or gray) fixture lead to the **DIM -** of /WS sensor lead.
7. Cap the yellow fixture lead, if present. **Do NOT connect.**



INSTRUCTIONS

IVELOT® Edge-lit Area Light



RAB Lighting is committed to creating high-quality, affordable, well-designed and energy-efficient LED lighting and controls that make it easy for electricians to install and end users to save energy. We'd love to hear your comments. Please call the Marketing Department at 888-RAB-1000 or email: marketing@rablighting.com

FUSE WIRING

1. For single-fuse installations 120V, 277V, or 347V connect the fuse between the fixture neutral and supply neutral.
2. For double fuse installations 208V, 240V, or 480V connect the fuse between both supply neutrals and the fixture neutral.

TROUBLESHOOTING

1. Check that the line voltage at the fixture is correct. Refer to wiring directions.
2. Be sure the fixture is grounded properly.
3. Is the photocell, if used, functioning properly?
4. Check if the fuse has blown out.

ACCESSORIES

- IVA-SF - Single Fuse for 120V, 277V, or 347V
- IVA-DF - Double Fuse for 208V, 240V, or 480V
- IVA-SPU - 10kV Surge 120V & 277V
- IVA-SP3 - 10kV Surge 347V
- IVA-SP4 - 10kV Surge 480V

CLEANING & MAINTENANCE

CAUTION: Be sure fixture temperature is cool enough to touch. Do not clean or maintain while fixture is energized.

1. Clean acrylic lens with non-abrasive acrylic cleaning solution.
2. Do not open fixture to clean the LED. Do not touch the LED

Note: These instructions do not cover all details or variations in equipment nor do they provide for every possible situation during installation, operation or maintenance.

INSTRUCTIONS

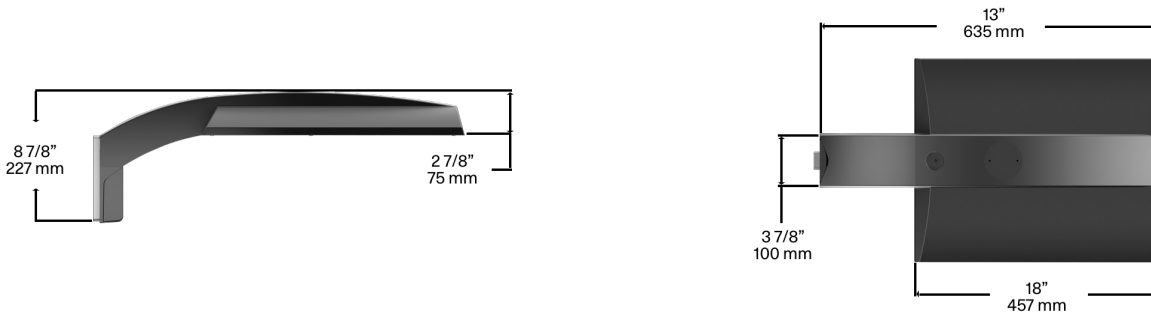
IVELOT Edge-lit Area Light



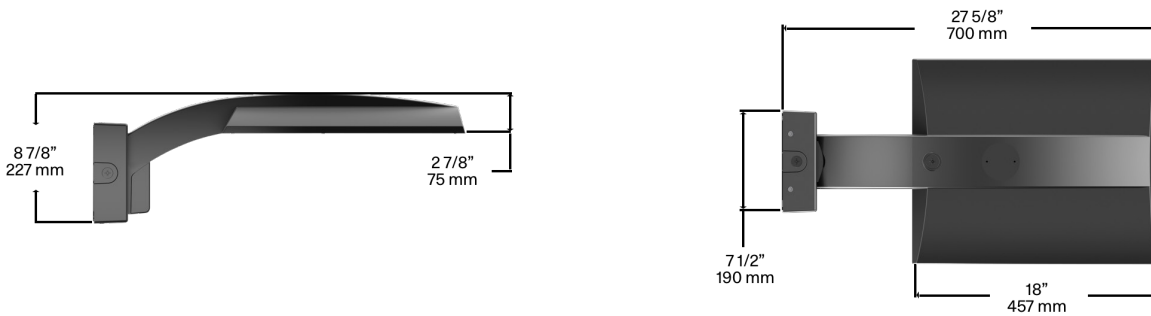
RAB Lighting is committed to creating high-quality, affordable, well-designed and energy-efficient LED lighting and controls that make it easy for electricians to install and end users to save energy. We'd love to hear your comments. Please call the Marketing Department at 888-RAB-1000 or email: marketing@rablighting.com

DIMENSIONAL DRAWINGS

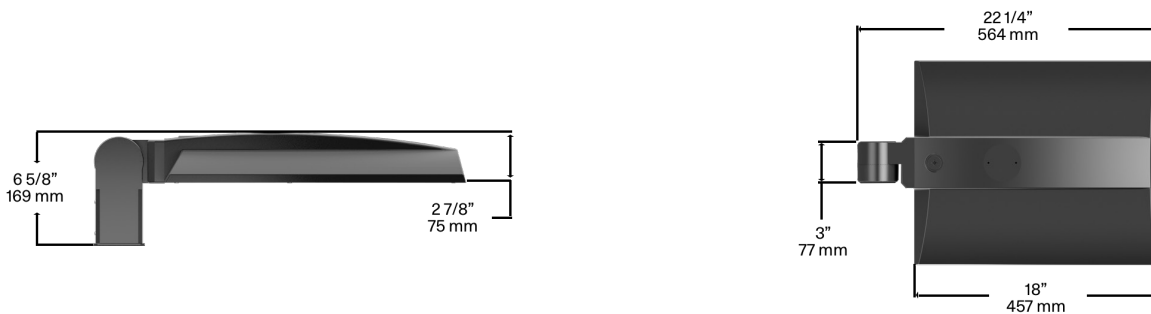
UNIVERSAL WALL MOUNT



WALL MOUNT



SLIPFITTER MOUNT



© 2022 RAB LIGHTING Inc.

IVELOT-IN 1221
73624-RAB

Easy Answers

rablighting.com
Visit our website for product info

Tech Help Line
Call our experts: 888 722-1000

e-mail
Answered promptly - sales@rablighting.com

Free Lighting Layouts
Answered online or by request

RAB WARRANTY: RAB's warranty is subject to all terms and conditions found at rablighting.com/warranty.