



Die cast aluminum visor with integral metal grill and tempered glass lens for maximum glare reduction and lamp protection. Guard protects lamp from damage and vandalism. Die cast aluminum.

Color: Bronze

Weight: 1.4 lbs

Project:

Type:

Prepared By:

Date:

Technical Specifications

Construction

Material:

Die cast aluminum

Guard:

Designed to fit the H101 and HB101

Stealth Accessory:

Guards also fit RAB's Stealth Bullet and Bell Flood Kits. [See Stealth Page.](#)

Visor:

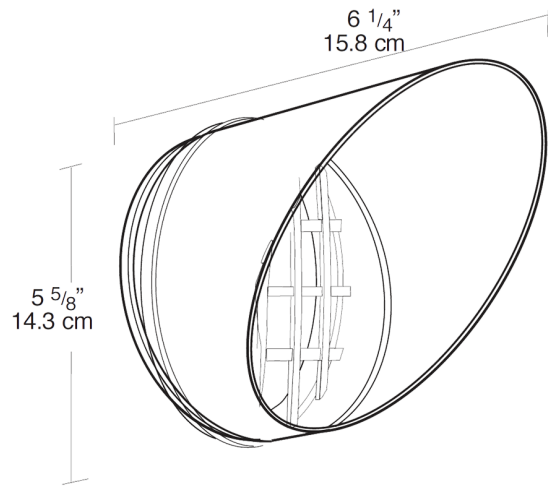
Visor includes glass

Other

Buy American Act Compliance:

RAB values USA manufacturing! Upon request, RAB may be able to manufacture this product to be compliant with the Buy American Act (BAA). Please contact customer service to request a quote for the product to be made BAA compliant.

Dimensions



Features

- Die cast aluminum
- Integral metal grill
- Glass lens for maximum glare reduction and lamp protection