



Bullet shape die cast aluminum flood with spotlighting for over 40 feet away.

Color: Black

Weight: 4.6 lbs

Project:

Type:

Prepared By:

Date:

Driver Info

Type	Constant Current
120V	0.23A
208V	0.13A
240V	0.11A
277V	0.07A
Input Watts	27.1W

LED Info

Watts	26W
Color Temp	4000K (Neutral)
Color Accuracy	73 CRI
L70 Lifespan	100,000 Hours
Lumens	3,080 lm
Efficacy	113.7 lm/W

Technical Specifications

Compliance

UL Listed:

Suitable for wet locations. Suitable for ground mounting.

Optical

NEMA Type:

NEMA Beam Spread of 4H x 4V

LED Characteristics

LEDs:

Multi-chip, high-output, long-life LEDs

Color Stability:

RAB LEDs exceed industry standards for chromatic stability

Color Uniformity:

RAB's range of Correlated Color Temperature follows the guidelines of the American National Standard for Specifications for the Chromaticity of Solid State Lighting (SSL) Products, ANSI C78.377-2017.

Construction

Cold Weather Starting:

The minimum starting temperature is -40°C (-40°F)

Thermal Management:

Superior heat sinking with external Air-Flow fins

Housing:

Precision die-cast aluminum housing, lens frame and mounting arm

Reflector:

Semi-specular, vacuum-metalized polycarbonate

Mounting:

Heavy-duty 1/2" thread mounting arm with "O" ring seal & stainless steel screws

Gaskets:

High-temperature silicone gaskets

Finish:

Our environmentally friendly polyester powder coatings are formulated for high-durability and long-lasting color

Green Technology:

Mercury and UV free. RoHS-compliant components.

Electrical

Driver:

Constant Current, 120-277V with 4kV surge protection, 120V: 0.23, 208V: 0.13A, 240V: 0.11A, 277V: 0.11A

Dimming Driver:

Driver includes dimming control wiring for 0-10V dimming systems. Requires separate 0-10V DC dimming circuit. Dims down to 10%.

THD:

8.17% at 120V, 7.17% at 277V

Power Factor:

92.7% at 120V, 99.6% at 277V

Other

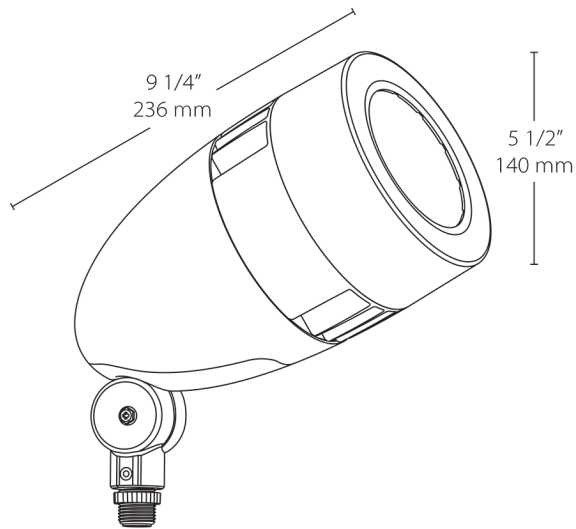
Warranty:

RAB warrants that our LED products will be free from defects in materials and workmanship for a period of five (5) years from the date of delivery to the end user, including coverage of light output, color stability, driver performance and fixture finish. RAB's warranty is subject to all terms and conditions found at rablighting.com/warranty.

Buy American Act Compliance:

RAB values USA manufacturing! Upon request, RAB may be able to manufacture this product to be compliant with the Buy American Act (BAA). Please contact customer service to request a quote for the product to be made BAA compliant.

Dimensions



Features

- Spot lighting for over 40 feet away
- Perfect for flag lighting
- NEMA type - 4H x 4V
- Available in four colors
- 100,000-hour life based on LM-80 results and TM-21 calculations
- 5-Year, No-Compromise Warranty

Ordering Matrix

Family	Wattage	Color Temp	Finish	Driver Options
HSLED	26	N	B	/D10
26 = 26W	Blank = 5000K Cool	Blank = Bronze	Blank = No Option	
13 = 13W	N = 4000K Neutral	W = White	/D10 = 0-10V Dimming	
18 = 18W	Y = 3000K Warm	B = Black	/480 = 480V (Only available for 26W)	
		VG = Verde Green		
		A = Bronze		