



Color: Black

Weight: 4.6 lbs

Project:

Type:

Prepared By:

Date:

### Driver Info

| Type        | Constant Current |
|-------------|------------------|
| 120V        | 0.23A            |
| 208V        | 0.13A            |
| 240V        | 0.11A            |
| 277V        | 0.07A            |
| Input Watts | 27.1W            |

### LED Info

|                |                 |
|----------------|-----------------|
| Watts          | 26W             |
| Color Temp     | 4000K (Neutral) |
| Color Accuracy | 73 CRI          |
| L70 Lifespan   | 100,000 Hours   |
| Lumens         | 3,244 lm        |
| Efficacy       | 119.7 lm/W      |

## Technical Specifications

### Compliance

#### UL Listed:

Suitable for wet locations. Suitable for ground mounting.

### LED Characteristics

#### LEDs:

Multi-chip, high-output, long-life LEDs

#### Color Stability:

RAB LEDs exceed industry standards for chromatic stability

#### Color Uniformity:

RAB's range of Correlated Color Temperature follows the guidelines of the American National Standard for Specifications for the Chromaticity of Solid State Lighting (SSL) Products, ANSI C78.377-2017.

### Construction

#### Cold Weather Starting:

The minimum starting temperature is -40°C (-40°F)

#### Thermal Management:

Superior heat sinking with external Air-Flow fins

#### Housing:

Precision die-cast aluminum housing, lens frame and mounting arm

#### Reflector:

Semi-specular, vacuum-metalized polycarbonate

#### Mounting:

Heavy-duty 1/2" thread mounting arm with "O" ring seal & stainless steel screws

#### Gaskets:

High-temperature silicone gaskets

#### Finish:

Our environmentally friendly polyester powder coatings are formulated for high-durability and long-lasting color

#### Green Technology:

Mercury and UV free. RoHS-compliant components.

### Optical

#### NEMA Type:

NEMA Beam Spread of 3H x 3V

### Electrical

#### Driver:

Constant Current, 120-277V with 4kV surge protection, 120V: 0.23, 208V: 0.13A, 240V: 0.11A, 277V: 0.11A

#### Dimming Driver:

Driver includes dimming control wiring for 0-10V dimming systems. Requires separate 0-10V DC dimming circuit. Dims down to 10%.

#### THD:

8.72% at 120V, 5.7% at 277V

#### Power Factor:

92.7% at 120V, 99.7% at 277V

### Other

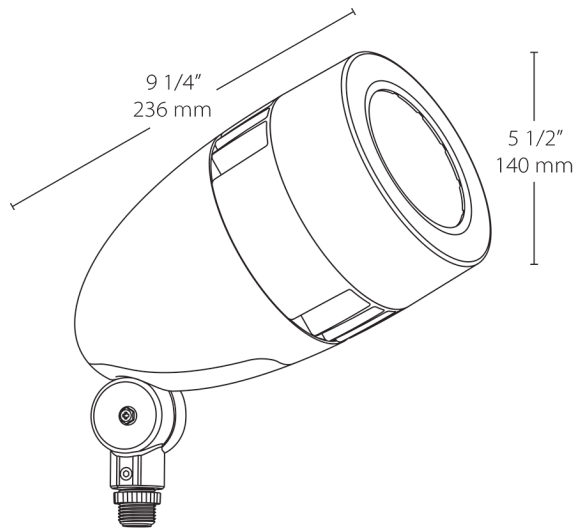
#### Warranty:

RAB warrants that our LED products will be free from defects in materials and workmanship for a period of five (5) years from the date of delivery to the end user, including coverage of light output, color stability, driver performance and fixture finish. RAB's warranty is subject to all terms and conditions found at [rablighting.com/warranty](http://rablighting.com/warranty).

#### Buy American Act Compliance:

RAB values USA manufacturing! Upon request, RAB may be able to manufacture this product to be compliant with the Buy American Act (BAA). Please contact customer service to request a quote for the product to be made BAA compliant.

## Dimensions



## Features

- 80% energy savings vs. PAR floods
- Mount on junction box or on RAB Mighty Post
- Patent-pending "Air-Flow" technology
- NEMA type - 3H x 3V
- 5-Year, No-Compromise Warranty

## Ordering Matrix

| Family               | Wattage   | Color Temp   | Finish  | Driver Options |
|----------------------|---|--|---|----------------|
| HNLED                | 26  | N  | B   | /D10           |
| 18 = 18W<br>26 = 26W | Blank = 5000K Cool<br>N = 4000K Neutral<br>Y = 3000K Warm | A = Bronze<br>W = White<br>B = Black<br>VG = Verde Green | Blank = No Option<br>/D10 = 0-10V Dimming<br>/480 = 480V - Only available for 26W |                |