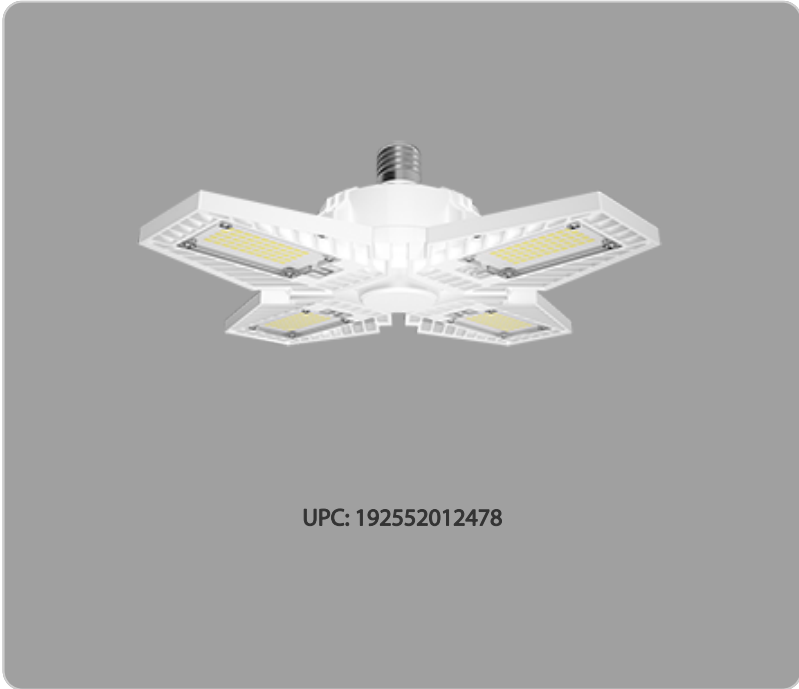


Project:	Type:	Prepared By:	Date:
-----------------	--------------	---------------------	--------------



Features and Benefits

- UL Damp Rated
- 25,000-hour LED lifespan
- 3-Year, No-Compromise Warranty

Technical Specifications		
<p>Performance</p> <p>Product Type: HID Replacement</p> <p>Input Wattage: 80W</p> <p>Lumens (Nominal): 10,000lm</p> <p>Efficacy: 125lm/W</p> <p>L70 Lifespan: 25,000-Hour LED lifespan based on IES LM-70 results</p> <p>Wattage Equivalency: 250W Metal Halide or High Pressure Sodium</p> <p>Compliance</p> <p>UL Listed: Suitable for damp locations</p> <p>Enclosed Fixtures: Suitable for use in enclosed fixtures</p>	<p>LED Characteristics</p> <p>Color Temperature: 5000K</p> <p>Color Accuracy (CRI): 80 CRI</p> <p>Construction</p> <p>Bulb Shape: Deformable</p> <p>Base Type: E26 Edison</p> <p>Endcap Material: Polycarbonate</p> <p>Enclosure Material: Aluminum</p> <p>Optical</p> <p>Beam Angle: 120°-270° adjustable</p> <p>Electrical</p> <p>THD: 20%</p>	<p>Power Factor: >0.9</p> <p>Operating Temperature: -35°C to 40°C</p> <p>Input Voltage: 120-277V</p> <p>Operating Frequency: 50/60Hz</p> <p>Installation</p> <p>Installation Orientation: Vertical</p> <p>Other</p> <p>Warranty: RAB warrants that our LED products will be free from defects in materials and workmanship for a period of three (3) years from the date of delivery to the end user, including coverage of light output, color stability, driver performance and fixture finish. RAB's warranty is subject to all terms and conditions found at rablighting.com/warranty.</p>

Case and Pallet Dimensions

	QTY	LENGTH (in)	WIDTH (in)	HEIGHT (in)
CASE	12	17.6	12	18
PALLET	288	36.71	35.92	42.92

Dimension

