

INSTRUCTIONS

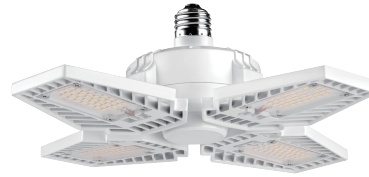
DEFORMABLE GARAGE LIGHT

RAB®

RAB Lighting is committed to creating high-quality, affordable, well-designed and energy-efficient LED lighting and controls that make it easy for electricians to install and end users to save energy. We'd love to hear your comments. Please call the Marketing Department at 888-RAB-1000 or email: marketing@rablighting.com



HID-65-V-E26-8XX-BYP-GL



HID-80-V-E26-8XX-BYP-GL

IMPORTANT

READ CAREFULLY BEFORE INSTALLING FIXTURE. RETAIN THESE INSTRUCTIONS FOR FUTURE REFERENCE.

RAB fixtures must be wired in accordance with the National Electrical Code and all applicable local codes. Proper grounding is required for safety. THIS PRODUCT MUST BE INSTALLED IN ACCORDANCE WITH THE APPLICABLE INSTALLATION CODE BY A PERSON FAMILIAR WITH THE CONSTRUCTION AND OPERATION OF THE PRODUCT AND THE HAZARDS INVOLVED.

WARNING:

- When using product, basic precautions should always be followed.
- Read and follow these instructions and observe all warnings.
- Carefully read and understand the information given in this manual before beginning installation. Failure to do so could lead to electric shock, fire, or other injuries which could be hazardous or even fatal.
- Save these instructions and warnings.

CAUTION:

- NEVER submerge this product in water!
- Do not install this bulb in places where water accumulates.
- Do not use in on hot surfaces.
- Do not remove the lens protecting the LED.
- Do not use in areas near a gas source.
- It is NOT possible to change the LED light source.
- This light is not intended for use in potentially explosive environments. This is NOT a vapor proof light.
- This bulb is NOT A TOY and is not suitable for use by children.

This equipment has been tested and found to comply with the limits for a Class B digital device, pursuant to part 15 of the FCC Rules. These limits are designed to provide reasonable protection against harmful interference in a residential installation. This equipment generates, uses and can radiate radio frequency energy and, if not installed and used in accordance with the instructions, may cause harmful interference to radio communications. However, there is no guarantee that interference will not occur in a particular installation. If this equipment does cause harmful interference to radio or television reception, which can be determined by turning the equipment off and on, the user is encouraged to try to correct the interference by one or more of the following measures:

- Reorient or relocate the receiving antenna.
- Increase the separation between the equipment and receiver.
- Connect the equipment into an outlet on a circuit different from that to which the receiver is connected.
- Consult the dealer or an experienced radio/TV technician for help.

INSTALLATION

1. Before installing the bulb, shut off power supply at the circuit breaker panel to avoid electrical shock. It is recommended that surge / lightning protection be installed. Ballast must be bypassed if present.
2. Remove old bulb.
3. Screw new bulb in clockwise. Do not overtighten. Overtightening may cause damage to the light.
4. Individually pivot each of the adjustable panels down to best cover the desired space. Depending on the type of light fixture, it may be necessary to pivot light heads out of the way before screwing the bulb into the fixture.
5. Restore power.

INSTRUCTIONS

DEFORMABLE GARAGE LIGHT



RAB Lighting is committed to creating high-quality, affordable, well-designed and energy-efficient LED lighting and controls that make it easy for electricians to install and end users to save energy. We'd love to hear your comments. Please call the Marketing Department at 888-RAB-1000 or email: marketing@rablighting.com

6. Turn on light switch. Bulb will illuminate immediately.
7. Adjust all angles as needed. *(Do not stare directly into LED lights when adjusting settings.)*

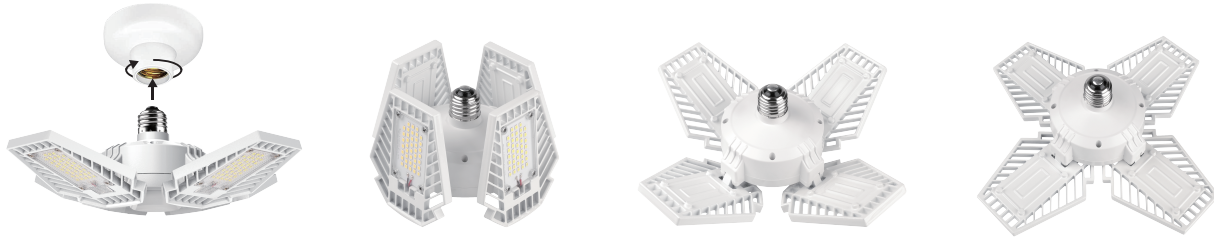


Fig. 1

WIRING

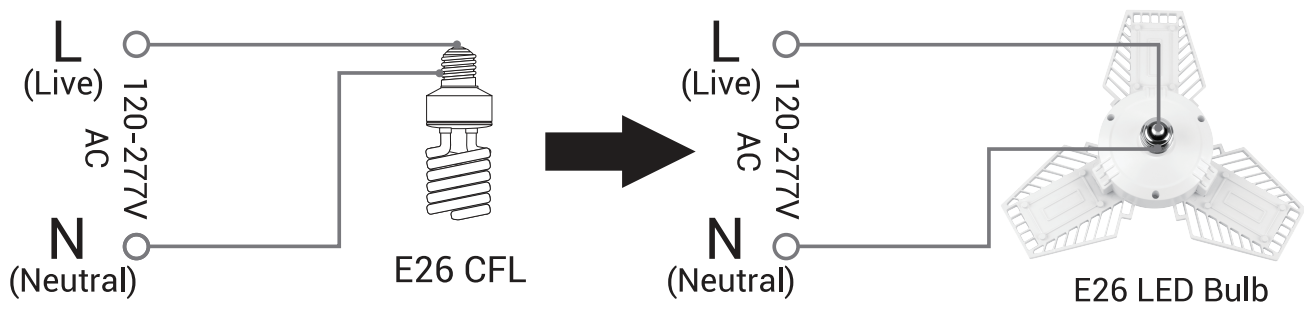


Fig. 2

CLEANING & MAINTENANCE

CAUTION: Be sure fixture temperature is cool enough to touch.
Do not clean or maintain while fixture is energized.

1. Turn power OFF.
2. Use a soft cloth and a mild, non-abrasive glass cleaner.
3. Lightly wipe and clean the fixture.

DO NOT use solvents.

DO NOT use cleaners containing abrasive ingredients.

NEVER spray cleaning liquid directly onto the LEDs, fixture, or wiring.

TROUBLESHOOTING

Problem	Probable Cause	Solution
Fixture does not turn on.	Bad connection.	Check wiring connections.
	Faulty switch.	Test switch or replace it.
	Power is off.	Verify power supply is on.
Circuit breaker trips or fuse blows when light is turned on.	Discontinue use immediately.	Call an electrician.

Note: These instructions do not cover all details or variations in equipment nor do they provide for every possible situation during installation, operation or maintenance.

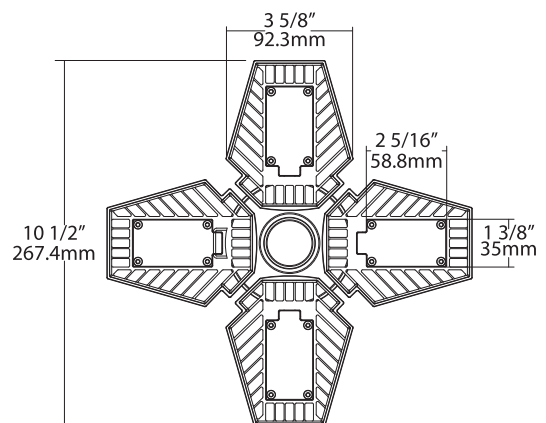
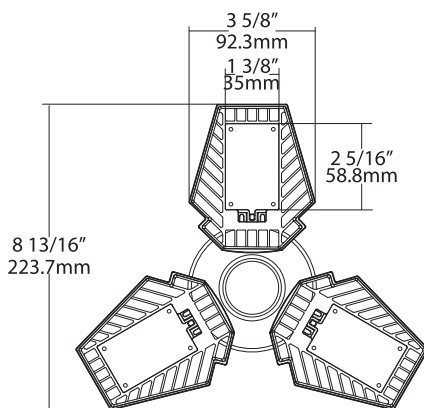
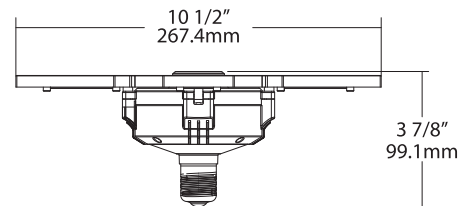
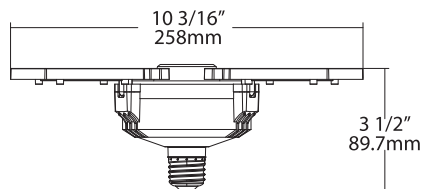
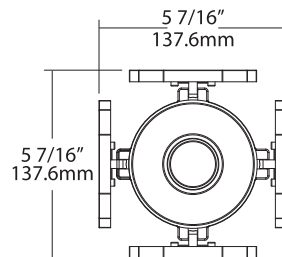
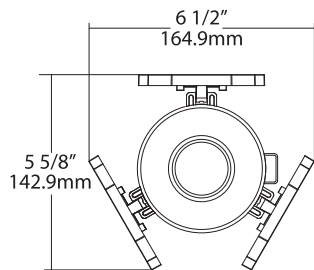
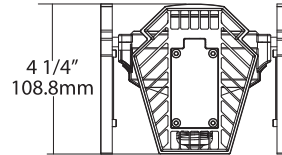
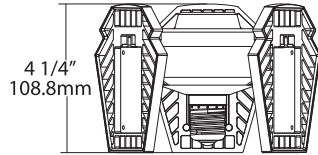
INSTRUCTIONS

DEFORMABLE GARAGE LIGHT



RAB Lighting is committed to creating high-quality, affordable, well-designed and energy-efficient LED lighting and controls that make it easy for electricians to install and end users to save energy. We'd love to hear your comments. Please call the Marketing Department at 888-RAB-1000 or email: marketing@rablighting.com

DIMENSIONAL DRAWINGS



HID-65-V-E26-8XX-BYP-GL

HID-80-V-E26-8XX-BYP-GL



Easy Answers

rablighting.com
Visit our website for product info

Tech Help Line
Call our experts: 888 722-1000

e-mail
Answered promptly - sales@rablighting.com

Free Lighting Layouts
Answered online or by request