

Project:

Type:

Prepared By:

Date:



UPC: 019813908366

Features and Benefits

- Replacement for traditional Metal Halide or High Pressure Sodium HID Lamps up to 400W
- Multiple angle configurations ideal for low/high bay, shoebox, and post top applications
- Active Cooling: Internal sensor overheat and engaged will automatically reduce output to 70% rated wattage until the sensor cools and will light up again to 100%
- Integral Driver enables lamp to be wired directly to line voltage without need for an external driver or ballast
- Rated for use in enclosed and open fixtures in dry or damp locations
- 4kV surge protection built in
- 50,000 hour Lifespan
- Environmentally friendly, no mercury used
- UL Listed, DLC Listed
- 5 Year No Compromise Warranty
- Lamp includes on board low-voltage AUX port for lamp level sensor accessories
- Compatible with RAB specified 0-10V dimming system

Technical Specifications

Performance

Product Type:

HID Replacement

Input Wattage:

70W

Lumens (Nominal):

10,500lm

Efficacy:

150lm/W

L70 Lifespan:

50,000-Hour LED lifespan based on IES LM-80 results and TM-21 calculations

Wattage Equivalency:

250W

Dimming:

Compatible with RAB specified 0-10V dimming system. Dimming capabilities were tested and verified on Legrand RH4FBL3PTC 0-10V dimming system.

LED Characteristics

Color Accuracy (CRI):

80

Color Temperature:

4000K

Construction

Bulb Shape:

Post Top/ High Bay / Shoebox

Enclosure Material:

Polycarbonate & Metal heat sink

Housing Finish:

White

Base Type:

EX39

Electrical

THD:

<20%

Power Factor:

>0.9

Input Voltage:

100-277V

Operating Frequency:

60 Hz

Operating Temperature:

-30°C to 60°C

Surge Protection:

4kV

Installation

Installation Method:

UL Type B, Ballast Bypass

Burning Position:

Universal

Other

Technology EQ:

Metal Halide or High Pressure Sodium

Technical Specifications (continued)

Warranty:

RAB warrants that our LED products will be free from defects in materials and workmanship for a period of five (5) years from the date of delivery to the end user, including coverage of light output, color stability, driver performance and fixture finish. RAB's warranty is subject to all terms and conditions found at rablighting.com/warranty.

Compliance

Listings:

UL Listed, UL Classified

Environment/Fixture Rating:

Damp / Enclosed

IP Rating:

IP64

RoHS:

Mercury and UV free. RoHS-compliant components.

FCC:

Complies with Part 15B of the FCC Rules

Model Number for Certification:

H10026(HID-70-EX39-840-BYP-ADJ)

DLC Listed:

This product is on the Design Lights Consortium (DLC) Qualified Products List and is eligible for rebates from DLC Member Utilities. Designed to meet DLC 5.1 requirements.

DLC Product Code: PLNR6GZ59HS2

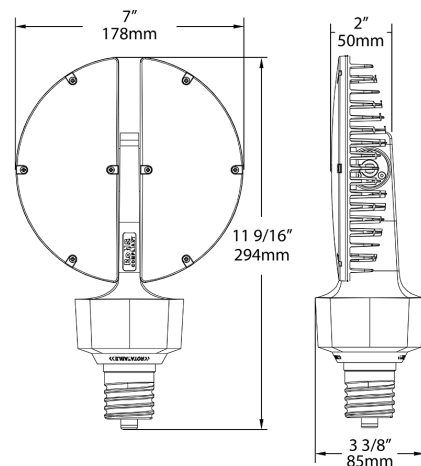
Minimum Compartment Size

Length x Width x Height [in]	Lamp Quantity
8	1

Case and Pallet Dimensions

	QTY	LENGTH (in)	WIDTH (in)	HEIGHT (in)
CASE	4	0	0	0
PALLET	160	0	0	0

Dimension



Light Distribution

