



UPC: 192552025720

Color: White

Weight: 1.4 lbs

Project:	Type:
Prepared By:	Date:

Technical Specifications

Performance

Product Type:

HID Replacement

Wattage Equivalency:

200W Metal Halide

Input Wattage:

65W

Lumens (Nominal):

8,000lm

Efficacy:

123lm/W

L70 Lifespan:

25,000-Hour LED lifespan based on IES LM-70 results

Lightcloud

Gateway Required:

No

Communication Protocol:

Bluetooth Mesh

Electrical

THD:

≤20%

Power Factor:

≥0.9

Dimmable:

Yes, via the Lightcloud Blue mobile app and devices. This lamp will not operate properly when connected to a standard (incandescent) dimmer or dimming control.

Input Voltage:

120-277V

Operating Frequency:

50/60Hz

Input Current @ 120V (mA):

0.6mA

Input Current @ 208V (mA):

.35mA

Input Current @ 240V (mA):

.30mA

Input Current @ 277V (mA):

.26mA

Surge Protection:

4kV

LED Characteristics

Color Temperature:

5000K

Color Accuracy (CRI):

≥80 CRI

R9 Value:

High color performance with R9 no less than 0

Color Consistency:

<5-step MacAdam Ellipse binning to achieve consistent fixture-to-fixture color

Installation

Installation Method:

UL Type B, Ballast Bypass

Installation Orientation:

Vertical

Construction

Base Type:

E26 Edison

Finish:

White

Beam Angle:

120°-270° adjustable

Technical Specifications (continued)

Bulb Shape:

Garager Lighter w/ sensor port

Enclosure Material:

Polycarbonate

Lens Finish:

Clear

Compliance**Listings:**

UL Listed

Environment:

Suitable for use in dry and damp environments

Fixture Rating:

Suitable for use in enclosed fixtures

IP Rating:

IP64

Model Number for Certification:

HID-65-V-E26-850-BYP-GL/LCBR

California Energy Commission (CEC) Status:

Lawful for Sales in California

RoHS:

Mercury and UV free. RoHS-compliant components.

FCC:

Complies with Part 15B of the FCC Rules

Other**Compatible Products:**

Add the Lightcloud Blue 5-Pin Plug-in Controller with optional sensor to connect to the Lightcloud Blue Bluetooth Mesh Wireless Network Lighting Control System. Learn more about Lightcloud Blue.

Accessories:

[CONTROL/W/AUX/5SP/LCB](#)

Lightcloud Blue 5-Pin Plug-in Controller

[CONTROL/W/AUX/5SP/LCBS](#)

Lightcloud Blue 5-Pin Plug-in Controller with PIR

Sensor

[CONTROL/W/AUX/5SP/LCBS/MVS](#)

Lightcloud Blue 5-Pin Plug-in Controller with MVS

Sensor

[DAYLIGHT-S](#)

3-Pin Daylight photocell sensor

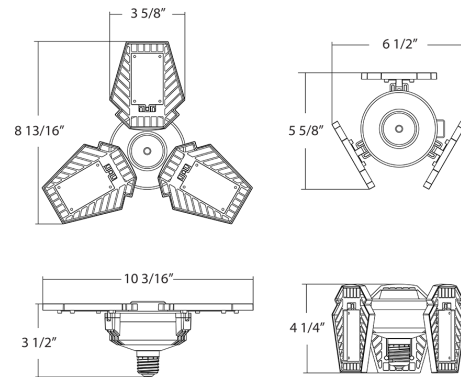
[MW-S](#)

3-Pin Microwave sensor w/photocell

Case and Pallet Dimensions

	QTY	LENGTH (in)	WIDTH (in)	HEIGHT (in)
CASE	12	17.92	13.94	10
PALLET	288	42.62	36.64	42

Dimension



Features

- Adjustable wings to direct light where you want it
- Control with Lightcloud Blue using the 5-Pin Plug-in Controller
- Rated for use in enclosed fixtures in dry or damp locations
- AUX port for integrating individual, lamp-level controls