

**Project:**

**Type:**

**Prepared By:**

**Date:**



UPC: 019813510347

### Features and Benefits

- Replacement for traditional Metal Halide or High Pressure Sodium HID Lamps
- Produces 10% uplight
- Integral Driver enables lamp to be wired directly to line voltage without need for an external driver or ballast
- Rated for use in enclosed and open fixtures in dry or damp locations
- 4kV surge protection built in
- 50,000 hour Lifespan
- Environmentally friendly, no mercury used
- UL Listed, UL Classified, DLC Listed
- 5 Year No Compromise Warranty
- Lamp includes on board low-voltage AUX port for lamp level sensor accessories
- Compatible with RAB specified 0-10V dimming system

## Technical Specifications

### Performance

**Product Type:**

HID Replacement

**Input Wattage:**

60W

**Wattage Equivalency:**

200W HID

**Lumens (Nominal):**

8,000lm

**Efficacy:**

133lm/W

**L70 Lifespan:**

50,000 Hours

**Dimming:**

Compatible with RAB specified 0-10V dimming system. Dimming capabilities were tested and verified on Legrand RH4FBL3PTC 0-10V dimming system.

**Construction**

**Base Type:**

EX39

**LED Characteristics**

**Color Temperature:**

5000K Daylight

**Color Accuracy (CRI):**

80 CRI

**Electrical**

**THD:**

<20%

**Power Factor:**

>0.9

**Operating Temperature:**

-30°C to 60°C

**Input Voltage:**

100-277V

**Operating Frequency:**

50/60Hz

**Input Current @ 120V:**

0.67mA

**Flicker:**

<30%

**Other**

**Warranty:**

RAB warrants that our LED products will be free from defects in materials and workmanship for a period of five (5) years from the date of delivery to the end user, including coverage of light output, color stability, driver performance and fixture finish. RAB's warranty is subject to all terms and conditions found at [rablighting.com/warranty](http://rablighting.com/warranty).

**Installation**

**Installation Type:**

Type B, Ballast Bypass

**Installation Orientation:**

Vertical

**Compliance**

**UL Listed:**

Yes

**Bulb Shape:**  
High Bay

## Technical Specifications (continued)

**UL Classified:**

Yes

**Model Number for Certification:**

H20008

**California Energy Commission (CEC) Status:**

Lawful for Sales in California

**DLC Listed:**

This product is on the Design Lights Consortium (DLC) Qualified Products List and is eligible for rebates from DLC Member Utilities. Designed to meet DLC 5.1 requirements.

DLC Product Code: PL5K5DOYTP40

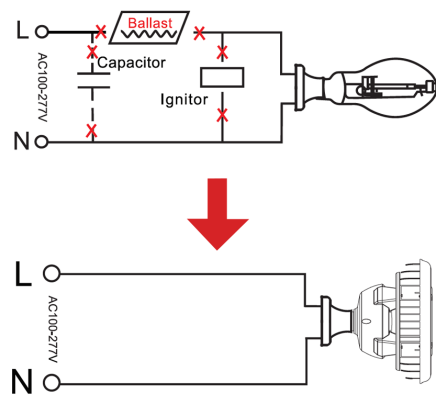
### Minimum Compartment Size

Length x Width x Height [in]	Lamp Quantity
8	1

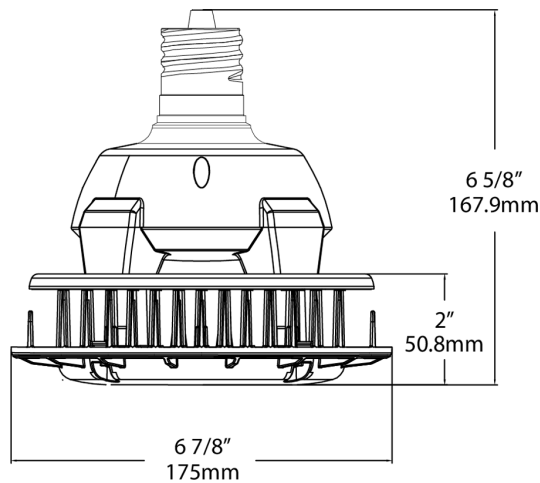
### Case and Pallet Dimensions

	QTY	LENGTH (in)	WIDTH (in)	HEIGHT (in)
CASE	4	15.4	15.4	9
PALLET	30	32.7	32.7	39.8

### Wiring Diagram



### Dimension



### Light Distribution

