

Project:	Type:	Prepared By:	Date:
-----------------	--------------	---------------------	--------------



Features and Benefits

- Replacement for traditional Metal Halide or High Pressure Sodium HID Lamps
- Active Cooling: Internal sensor overheats and engaged will automatically reduce output to 70% rated wattage until the sensor cools and will light up again to 100%
- Integral Driver enables lamp to be wired directly to line voltage without need for an external driver or ballast
- Rated for use in enclosed and open fixtures in dry or damp locations
- 4kV surge protection built in
- 50,000 hour Lifespan
- Environmentally friendly, no mercury used
- UL Listed, UL Classified
- Non-Dimmable
- 5 Year No Compromise Warranty

Technical Specifications		
Performance <hr/> Product Type: HID Replacement Input Wattage: 54W Lumens (Nominal): 7,600lm Efficacy: 140lm/W L70 Lifespan: 50,000-Hour LED lifespan based on IES LM-80 results and TM-21 calculations Wattage Equivalency: 200W LED Characteristics <hr/> Color Accuracy (CRI): 80 Color Temperature: 3000K	Construction <hr/> Bulb Shape: Post Top Enclosure Material: Polycarbonate & Metal heat sink Housing Finish: White Base Type: E26 Edison Optical <hr/> Beam Angle: 360° Electrical <hr/> THD: <20% Power Factor: >0.9 Input Voltage: 100-277V	Operating Frequency: 60 Hz Operating Temperature: -30°C to 60°C Surge Protection: 4kV Installation <hr/> Installation Method: UL Type B, Ballast Bypass Burning Position: Universal Other <hr/> Technology EQ: Metal Halide or High Pressure Sodium

Technical Specifications (continued)

Warranty:

RAB warrants that our LED products will be free from defects in materials and workmanship for a period of five (5) years from the date of delivery to the end user, including coverage of light output, color stability, driver performance and fixture finish. RAB's warranty is subject to all terms and conditions found at rablighting.com/warranty.

Compliance

Listings:

UL Listed, UL Classified

Environment/Fixture Rating:

Damp / Enclosed

IP Rating:

IP64

RoHS:

Mercury and UV free. RoHS-compliant components.

FCC:

Complies with Part 15B of the FCC Rules

Model Number for Certification:

H10031(HID-54-E26-830-BYP-PT)

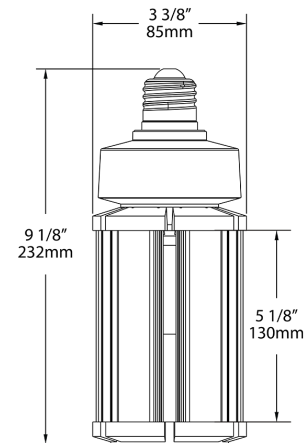
Minimum Compartment Size

Length x Width x Height [in]	Lamp Quantity
8	1

Case and Pallet Dimensions

	QTY	LENGTH (in)	WIDTH (in)	HEIGHT (in)
CASE	12	0	0	0
PALLET	432	0	0	0

Dimension



Light Distribution

