

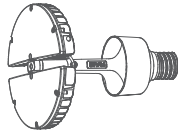
INSTRUCTIONS

HID ADJUSTABLE SERIES



RAB Lighting is committed to creating high-quality, affordable, well-designed and energy-efficient LED lighting and controls that make it easy for electricians to install and end users to save energy. We'd love to hear your comments. Please call the Marketing Department at 888-RAB-1000 or email: marketing@rablighting.com

HID-XXX-EX39-XXX-BYP-ADJ



IMPORTANT

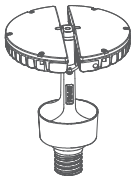
READ CAREFULLY BEFORE INSTALLING LED HID BULBS. RETAIN THESE INSTRUCTIONS FOR FUTURE REFERENCE.

RAB LED HID Bulbs must be wired in accordance with the National Electrical Code and all applicable codes. Proper grounding is required for safety. THIS PRODUCT MUST BE INSTALLED IN ACCORDANCE WITH THE APPLICABLE INSTALLATION CODE BY A PERSON FAMILIAR WITH THE CONSTRUCTION AND OPERATION OF THE PRODUCT AND THE HAZARDS INVOLVED.

WARNINGS:

- Main applications include for use in high bay, shoe box, post top and other suitable luminaires.
- Operating temperature: -30°C to 60°C (-22°F to 140°F).
- These LED Lamps require all ballasts, capacitors, and ignitors to be bypassed or removed. Do not operate lamps on existing ballasts.
- Dimmable with optional control modules.
- Do not use with standard dimmers. Only use the control provided with or specified by these instructions to control this lamp. This lamp will not operate properly when connected to a standard (incandescent) dimmer or dimming control.
- This device is not intended for use with emergency exits.
- For use in enclosed fixtures.
- Before installation make certain the AC power to the fixture is off.
- Risk of fire or electric shock. LED Retrofit lamp installation requires knowledge of luminaires electrical systems. If not qualified, do not attempt installation. Contact a qualified electrician.
- Do not make or alter any open holes in an enclosure of wiring or electrical components during kit installation.
- To prevent wiring damage or abrasion, do not expose wiring to edges of sheet metal or other sharp objects.
- Risk of fire or electric shock. Install this kit only in luminaires that have the construction features and dimensions shown in the photographs or drawings and where the input rating of the retrofit kit does not exceed the input rating of the luminaire.
- WARNING – RISK OF FIRE OR ELECTRIC SHOCK. INSTALLATION OF THIS RETROFIT KIT REQUIRES A PERSON FAMILIAR WITH THE CONSTRUCTION AND OPERATION OF THE LUMINAIRE'S ELECTRICAL SYSTEM AND THE HAZARD INVOLVED. IF NOT QUALIFIED, DO NOT ATTEMPT INSTALLATION. CONTACT A QUALIFIED ELECTRICIAN.
- THE RETROFIT KIT IS ACCEPTED AS A COMPONENT OF A LUMINAIRE WHERE THE SUITABILITY OF THE COMBINATION SHALL BE DETERMINED BY AUTHORITIES HAVING JURISDICTION. PRODUCT MUST BE INSTALLED BY A QUALIFIED ELECTRICIAN IN ACCORDANCE WITH THE APPLICABLE AND APPROPRIATE ELECTRICAL CODES. THE INSTALLATION GUIDE DOES NOT SUPERSEDE LOCAL OR NATIONAL REGULATIONS FOR ELECTRICAL INSTALLATIONS.

WHAT'S IN THE BOX



HID Lamp(1)



Safety cable(1)



Fastener(1)



Adapter(1)

OPTIONAL ACCESSORIES

Our sensor product numbers include MW-S/SMW-S, PIR-S/SPIR-S and DAYLIGHT-S are optional accessories for select HID lamps. The lamps will perform as normal if no sensor is inserted. Please note that RAB lamps can't operate with other manufacturers sensors.



PIR-S/SPIR-S

MW-S/SMW-S

DAYLIGHT-S

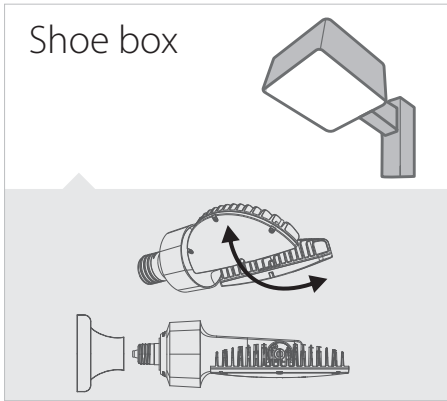
INSTRUCTIONS

HID ADJUSTABLE SERIES



RAB Lighting is committed to creating high-quality, affordable, well-designed and energy-efficient LED lighting and controls that make it easy for electricians to install and end users to save energy. We'd love to hear your comments. Please call the Marketing Department at 888-RAB-1000 or email: marketing@rablighting.com

APPLICATIONS



INSTALLATION

1. Turn off the power before installation. (Fig.1)
Remove the old Ballast, Capacitor and Ignitor (if existing).

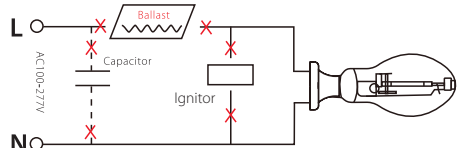


Fig.1

2. Make sure the Alternating Current Wires connect to the socket directly. (Fig.2) Reattach or replace ground lead if one is needed.

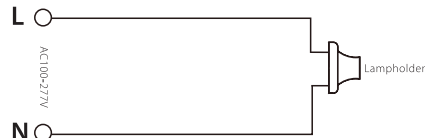


Fig.2

3. Screw the LED lamp into the corresponding socket. (Fig.3)
Attach retrofit label to luminaire.

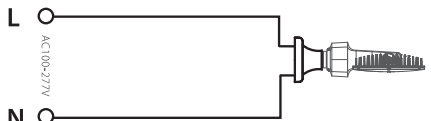


Fig.3

Cautions:

Securely fasten the ground wire to the main body structure. If the wire is damaged in any way please replace. (Do not use existing burnt out wire). If needed, the replacement ground wire must be 1.0mm in size and insulated from heat.

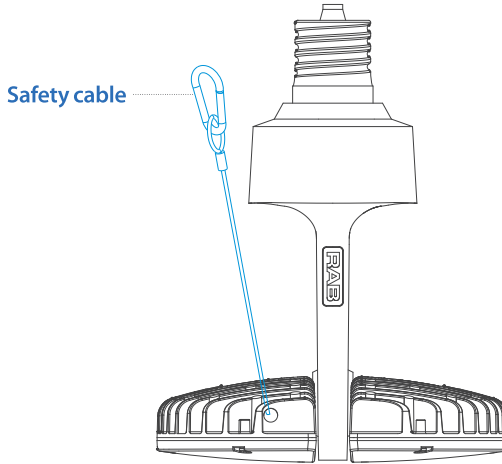
RAB Lighting is committed to creating high-quality, affordable, well-designed and energy-efficient LED lighting and controls that make it easy for electricians to install and end users to save energy. We'd love to hear your comments. Please call the Marketing Department at 888-RAB-1000 or email: marketing@rablighting.com

ASSEMBLY OF ACCESSORIES

1. Safety Cable

You must use the safety cable to tight the lamps in case of falling down due to old socket (Fig.4)

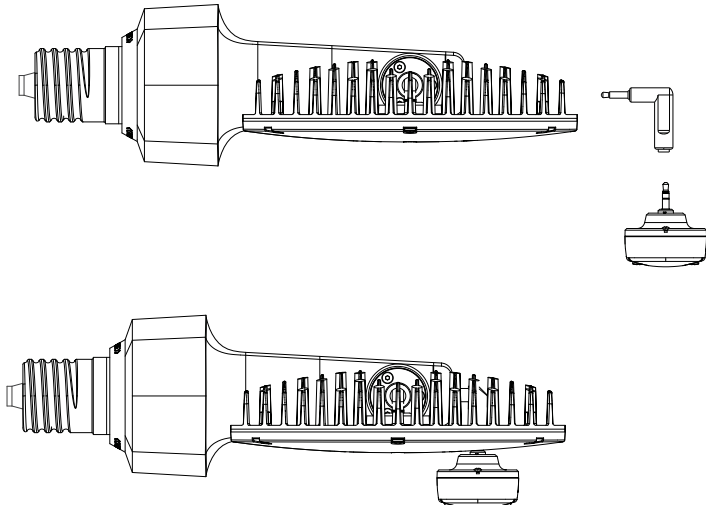
Fig.4



2. Adapter

Please use adapter when lamp is horizontally installed. (Fig.5)

Fig.5



RAB Lighting is committed to creating high-quality, affordable, well-designed and energy-efficient LED lighting and controls that make it easy for electricians to install and end users to save energy. We'd love to hear your comments. Please call the Marketing Department at 888-RAB-1000 or email: marketing@rablighting.com

ASSEMBLY OF ACCESSORIES (Cont'd)

3. Fastener

In order to comply with DLC requirement, the fastener must be used to lock the illuminating surface in High bay/Low bay and Shoebox applications.

Fastener application on Luminaires	
Luminaires	Fastener
Shoe box	Recommended
High bay/Low bay	Recommended
Post top	No need

