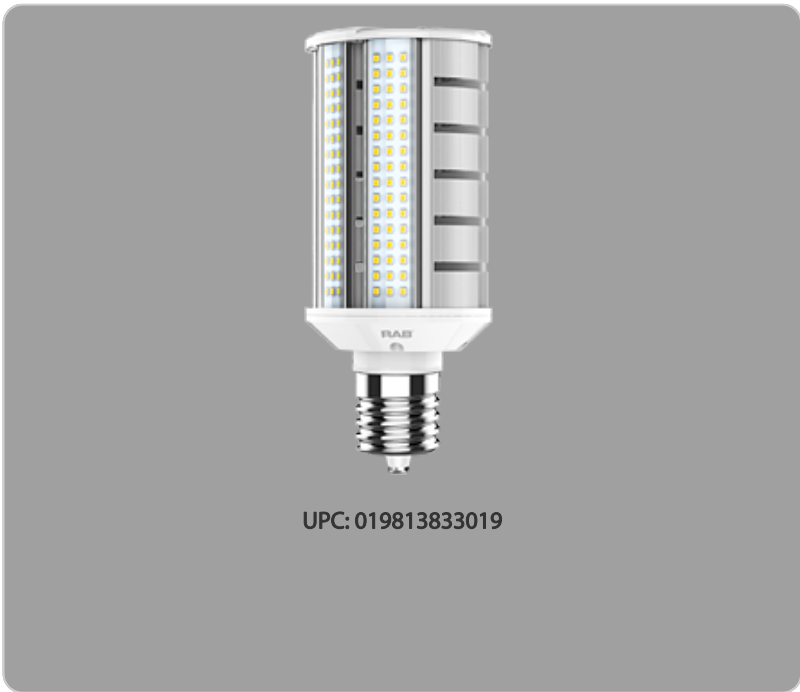


Project:	Type:	Prepared By:	Date:
-----------------	--------------	---------------------	--------------



Features and Benefits

- Replacement for traditional Metal Halide or High Pressure Sodium HID Lamps
- Ideal for wall pack retrofit applications
- Optimized for Horizontal Applications with Directional Light Output and Rotatable base
- Active Cooling: Internal sensor overheat and engaged will automatically reduce output to 70% rated wattage until the sensor cools and will light up again to 100%
- Integral Driver enables lamp to be wired directly to line voltage without need for an external driver or ballast
- Rated for use in enclosed and open fixtures in dry or damp locations
- 4kV surge protection built in
- 50,000 hour Lifespan
- Environmentally friendly, no mercury used
- UL Listed, UL Classified, DLC Listed
- Non-Dimmable
- 5 Year No Compromise Warranty

Technical Specifications		
Performance <hr/> Product Type: HID Replacement Input Wattage: 30W Wattage Equivalency: 150W HID Lumens: 4,650lm Efficacy: 155lm/W L70 Lifespan: 50,000 Hours Construction <hr/> Bulb Shape: Wall Pack For Use Outdoors in Open Fixtures: No	LED Characteristics <hr/> Color Temperature: 4000K Cool White Color Accuracy (CRI): 80 CRI Installation <hr/> Base Type: EX39 Installation Type: Type B, Ballast Bypass Installation Orientation: Universal Installation Electrical <hr/> THD: <20% Power Factor: >0.9 Operating Temperature: -30°C to 60°C	Dimmable: No Input Voltage: 100-277V Operating Frequency: 50/60Hz Input Current @ 120V: 0.3mA Flicker: <30% Optical <hr/> Beam Angle: 180° Compliance <hr/> UL Listed: Yes UL Classified: Yes

Technical Specifications (continued)

California Energy Commission (CEC) Status:

Lawful for Sales in California

Certification Model Number:

H10013

Other

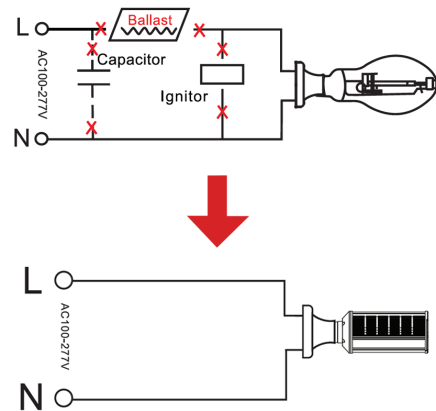
Minimum Compartment Size

Length x Width x Height [in]	Lamp Quantity
8	1

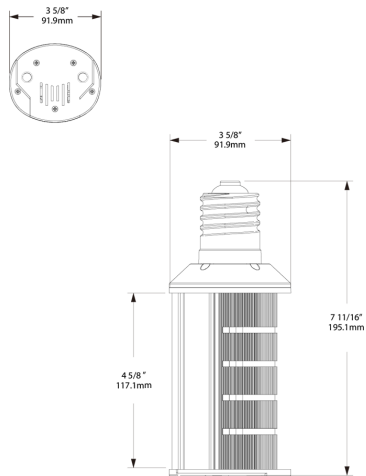
Case and Pallet Dimensions

	QTY	LENGTH (in)	WIDTH (in)	HEIGHT (in)
CASE	12	16.7	12.7	10
PALLET	288	44.6	35.4	39.4

Wiring Diagram



Dimension



Light Distribution

