

Project:	Type:	Prepared By:	Date:
-----------------	--------------	---------------------	--------------



Features and Benefits

- Replacement for traditional Metal Halide or High Pressure Sodium HID Lamps
- Active Cooling: Internal sensor overheats and engaged will automatically reduce output to 70% rated wattage until the sensor cools and will light up again to 100%
- Integral Driver enables lamp to be wired directly to line voltage without need for an external driver or ballast
- Rated for use in enclosed and open fixtures in dry or damp locations
- 4kV surge protection built in
- 50,000 hour Lifespan
- Environmentally friendly, no mercury used
- UL Listed, UL Classified
- Non-Dimmable
- 5 Year No Compromise Warranty

Technical Specifications		
Performance <hr/> Product Type: HID Replacement Input Wattage: 27W Wattage Equivalency: 125W HID Lumens (Nominal): 3,650lm Efficacy: 135lm/W L70 Lifespan: 50,000 Hours Construction <hr/> Bulb Shape: Post Top Base Type: EX39	For Use Outdoors in Open Fixtures: Yes LED Characteristics <hr/> Color Temperature: 3000K Warm White Color Accuracy (CRI): 80 CRI Electrical <hr/> THD: <20% Power Factor: 0.9 Operating Temperature: -30°C to 60°C Dimmable: No Input Voltage: 100-277V	Operating Frequency: 50/60Hz Flicker: <30% Optical <hr/> Beam Angle: 360° Other <hr/> Warranty: RAB warrants that our LED products will be free from defects in materials and workmanship for a period of five (5) years from the date of delivery to the end user, including coverage of light output, color stability, driver performance and fixture finish. RAB's warranty is subject to all terms and conditions found at rablighting.com/warranty . Installation <hr/> Installation Type: Type B, Ballast Bypass Installation Orientation: Universal Installation

Technical Specifications (continued)

Compliance

UL Listed:

Yes

UL Classified:

Yes

California Energy Commission (CEC) Status:

Lawful for Sales in California

Model Number for Certification:

HID-27-EX39-830-BYP-PT

DLC Listed:

This product is on the Design Lights Consortium (DLC) Qualified Products List and is eligible for rebates from DLC Member Utilities. Designed to meet DLC 5.1 requirements.

DLC Product Code: PL9V6L37CYNT

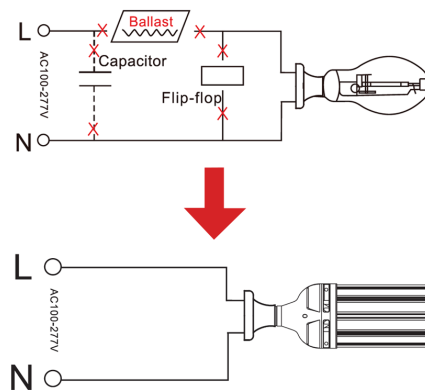
Minimum Compartment Size

Length x Width x Height [in]	Lamp Quantity
6	1

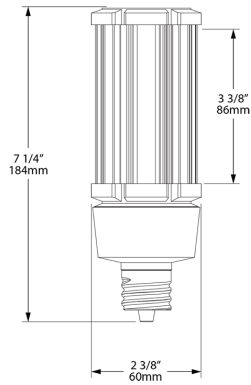
Case and Pallet Dimensions

	QTY	LENGTH (in)	WIDTH (in)	HEIGHT (in)
CASE	12	12.2	9.1	10
PALLET	720	38.2	38.6	42.5

Wiring Diagram



Dimension



Light Distribution

