

Project:	Type:	Prepared By:	Date:
-----------------	--------------	---------------------	--------------



Features and Benefits

- Replacement for traditional Metal Halide or High Pressure Sodium HID Lamps
- Active Cooling: Internal sensor overheats and engaged will automatically reduce output to 70% rated wattage until the sensor cools and will light up again to 100%
- Integral Driver enables lamp to be wired directly to line voltage without need for an external driver or ballast
- Rated for use in enclosed and open fixtures in dry or damp locations
- 4kV surge protection built in
- 50,000 hour Lifespan
- Environmentally friendly, no mercury used
- UL Listed, UL Classified
- 5 Year No Compromise Warranty
- Lamp includes on board low-voltage AUX port for lamp level sensor accessories
- Compatible with RAB specified 0-10V dimming system

Technical Specifications

Performance Product Type: HID Replacement Input Wattage: 120W Wattage Equivalency: 600W HID Lumens (Nominal): 18,000lm Efficacy: 150lm/W L70 Lifespan: 50,000 Hours Dimming: Compatible with RAB specified 0-10V dimming system. Dimming capabilities were tested and verified on Legrand RH4FBL3PTC 0-10V dimming system. Construction	Base Type: EX39 For Use Outdoors in Open Fixtures: No LED Characteristics Color Temperature: 5000K Daylight Color Accuracy (CRI): 80 CRI Electrical THD: <20% Power Factor: >0.9 Operating Temperature: -30°C to 60°C Input Voltage: 100-277V	Operating Frequency: 50/60Hz Input Current @ 120V: 1mA Flicker: <30% Other Warranty: RAB warrants that our LED products will be free from defects in materials and workmanship for a period of five (5) years from the date of delivery to the end user, including coverage of light output, color stability, driver performance and fixture finish. RAB's warranty is subject to all terms and conditions found at rablighting.com/warranty . Installation Installation Type: Type B, Ballast Bypass Installation Orientation: For Vertical Installation Only
---	--	---

Bulb Shape:
Post Top

Technical Specifications (continued)

Compliance

UL Listed:

Yes

UL Classified:

Yes

Model Number for Certification:

H10018

California Energy Commission (CEC) Status:

Lawful for Sales in California

DLC Listed:

This product is on the Design Lights Consortium (DLC) Qualified Products List and is eligible for rebates from DLC Member Utilities. Designed to meet DLC 5.1 requirements.

DLC Product Code: PL2FLVQ4YQX

Optical

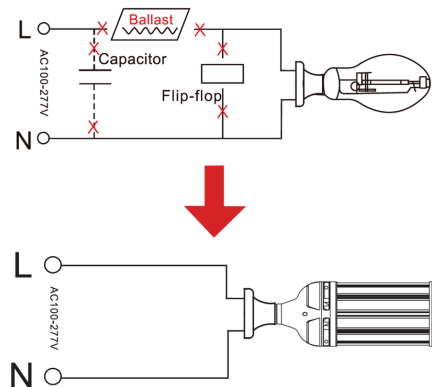
Beam Angle:

160°

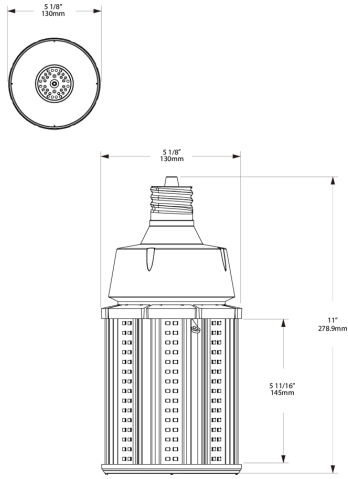
Case and Pallet Dimensions

	QTY	LENGTH (in)	WIDTH (in)	HEIGHT (in)
CASE	6	17.3	13.6	12
PALLET	108	40.2	35.4	39.4

Wiring Diagram



Dimension



Light Distribution

