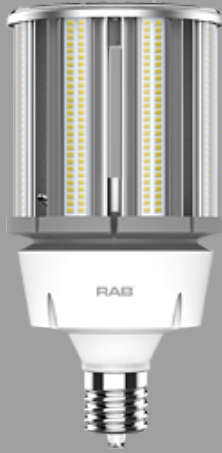


Project:

Type:

Prepared By:

Date:



UPC: 019813510323

Features and Benefits

- Replacement for traditional Metal Halide or High Pressure Sodium HID Lamps
- Active Cooling: Internal sensor overheats and engaged will automatically reduce output to 70% rated wattage until the sensor cools and will light up again to 100%
- Integral Driver enables lamp to be wired directly to line voltage without need for an external driver or ballast
- Rated for use in enclosed and open fixtures in dry or damp locations
- 4kV surge protection built in
- 50,000 hour Lifespan
- Environmentally friendly, no mercury used
- UL Listed, UL Classified
- 5 Year No Compromise Warranty
- Lamp includes on board low-voltage AUX port for lamp level sensor accessories
- Compatible with RAB specified 0-10V dimming system

Technical Specifications

Performance

Product Type:

HID Replacement

Input Wattage:

100W

Wattage Equivalency:

400W HID

Lumens (Nominal):

13,500lm

Efficacy:

135lm/W

L70 Lifespan:

50,000 Hours

Dimming:

Compatible with RAB specified 0-10V dimming system. Dimming capabilities were tested and verified on Legrand RH4FBL3PTC 0-10V dimming system.

Construction

Base Type:

EX39

For Use Outdoors in Open Fixtures:

Yes

LED Characteristics

Color Temperature:

5000K Daylight

Color Accuracy (CRI):

80 CRI

Electrical

THD:

<20%

Power Factor:

>0.9

Operating Temperature:

-30°C to 60°C

Input Voltage:

100-277V

Operating Frequency:

50/60Hz

Input Current @ 120V:

0.67mA

Flicker:

<30%

Other

Warranty:

RAB warrants that our LED products will be free from defects in materials and workmanship for a period of five (5) years from the date of delivery to the end user, including coverage of light output, color stability, driver performance and fixture finish. RAB's warranty is subject to all terms and conditions found at rablighting.com/warranty.

Installation

Installation Type:

Type B, Ballast Bypass

Installation Orientation:

For Vertical Installation Only

Bulb Shape:
Post Top

Technical Specifications (continued)

Compliance

UL Listed:

Yes

UL Classified:

Yes

Model Number for Certification:

HID-100-EX39-850-BYP-PT

California Energy Commission (CEC) Status:

Lawful for Sales in California

DLC Listed:

This product is on the Design Lights Consortium (DLC) Qualified Products List and is eligible for rebates from DLC Member Utilities. Designed to meet DLC 5.1 requirements.

DLC Product Code: PLG8JH16Z6C1

Optical

Beam Angle:

180°

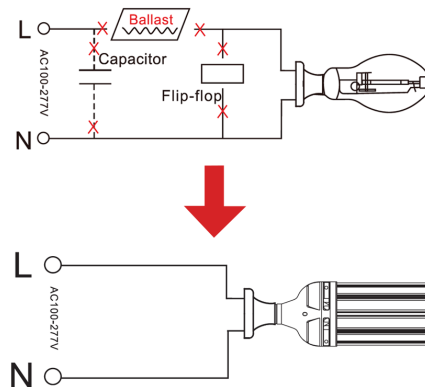
Minimum Compartment Size

Length x Width x Height [in]	Lamp Quantity
10	1

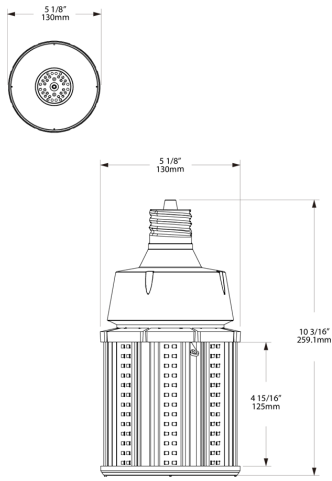
Case and Pallet Dimensions

	QTY	LENGTH (in)	WIDTH (in)	HEIGHT (in)
CASE	6	19.8	14.4	14
PALLET	18	30.8	41.6	47.4

Wiring Diagram



Dimension



Light Distribution

