

Project:	Type:	Prepared By:	Date:
-----------------	--------------	---------------------	--------------



Features and Benefits

- Replacement for traditional Metal Halide or High Pressure Sodium HID Lamps up to 400W
- Multiple angle configurations ideal for low/high bay, shoebox, and post top applications
- Active Cooling: Internal sensor overheat and engaged will automatically reduce output to 70% rated wattage until the sensor cools and will light up again to 100%
- Integral Driver enables lamp to be wired directly to line voltage without need for an external driver or ballast
- Rated for use in enclosed and open fixtures in dry or damp locations
- 4kV surge protection built in
- 50,000 hour Lifespan
- Environmentally friendly, no mercury used
- UL Listed, DLC Listed
- 5 Year No Compromise Warranty
- Lamp includes on board low-voltage AUX port for lamp level sensor accessories
- Compatible with RAB specified 0-10V dimming system

Technical Specifications		
Performance <hr/> Product Type: HID Replacement Input Wattage: 100W Lumens (Nominal): 15,000lm Efficacy: 150lm/W L70 Lifespan: 50,000-Hour LED lifespan based on IES LM-80 results and TM-21 calculations Wattage Equivalency: 400W Dimming: Compatible with RAB specified 0-10V dimming system. Dimming capabilities were tested and verified on Legrand RH4FBL3PTC 0-10V dimming system.	LED Characteristics <hr/> Color Accuracy (CRI): 80 Color Temperature: 4000K Construction <hr/> Bulb Shape: Post Top/ High Bay / Shoebox Enclosure Material: Polycarbonate & Metal heat sink Housing Finish: White Base Type: EX39 Electrical <hr/> THD: <20% Power Factor: >0.9	Input Voltage: 100-277V Operating Frequency: 60 Hz Operating Temperature: -30°C to 60°C Surge Protection: 4kV Installation <hr/> Installation Method: UL Type B, Ballast Bypass Burning Position: Universal Other <hr/> Technology EQ: Metal Halide or High Pressure Sodium

Technical Specifications (continued)

Warranty:

RAB warrants that our LED products will be free from defects in materials and workmanship for a period of five (5) years from the date of delivery to the end user, including coverage of light output, color stability, driver performance and fixture finish. RAB's warranty is subject to all terms and conditions found at rablighting.com/warranty.

Compliance

Listings:

UL Listed, UL Classified

Environment/Fixture Rating:

Damp / Enclosed

IP Rating:

IP64

RoHS:

Mercury and UV free. RoHS-compliant components.

FCC:

Complies with Part 15B of the FCC Rules

Model Number for Certification:

H10029(HID-100-EX39-840-BYP-ADJ)

DLC Listed:

This product is on the Design Lights Consortium (DLC) Qualified Products List and is eligible for rebates from DLC Member Utilities. Designed to meet DLC 5.1 requirements.

DLC Product Code: PL9Q6TMWZ9DO

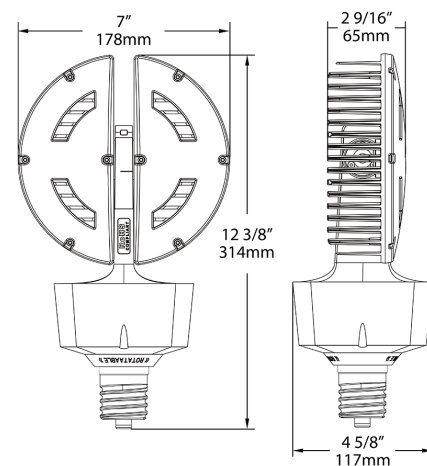
Minimum Compartment Size

Length x Width x Height [in]	Lamp Quantity
10	1

Case and Pallet Dimensions

	QTY	LENGTH (in)	WIDTH (in)	HEIGHT (in)
CASE	6	0	0	0
PALLET	72	0	0	0

Dimension



Light Distribution

