

Project:

Type:

Prepared By:

Date:



UPC: 019813749396

Features and Benefits

- Replacement for traditional Metal Halide or High Pressure Sodium HID Lamps
- Active Cooling: Internal sensor overheats and engaged will automatically reduce output to 70% rated wattage until the sensor cools and will light up again to 100%
- Integral Driver enables lamp to be wired directly to line voltage without need for an external driver or ballast
- Rated for use in enclosed and open fixtures in dry or damp locations
- 4kV surge protection built in
- 50,000 hour Lifespan
- Environmentally friendly, no mercury used
- UL Listed, UL Classified
- Non-Dimmable
- 5 Year No Compromise Warranty

Technical Specifications

Performance

Product Type:
HID Replacement

Input Wattage:
100W

Wattage Equivalency:
400W HID

Lumens (Nominal):
13,000lm

Efficacy:
130lm/W

L70 Lifespan:
50,000 Hours

Construction

Bulb Shape:
Post Top

Base Type:
EX39

For Use Outdoors in Open Fixtures:
Yes

LED Characteristics

Color Temperature:
3000K Warm White

Color Accuracy (CRI):
80 CRI

Electrical

THD:
<20%

Power Factor:
0.9

Operating Temperature:
-30°C to 60°C

Dimmable:
No

Input Voltage:
100-277V

Operating Frequency:
50/60Hz

Flicker:
<30%

Optical

Beam Angle:
360°

Installation

Installation Type:
Type B, Ballast Bypass

Installation Orientation:
For Vertical Installation Only

Compliance

UL Listed:
Yes

UL Classified:
Yes

California Energy Commission (CEC) Status:
Lawful for Sales in California

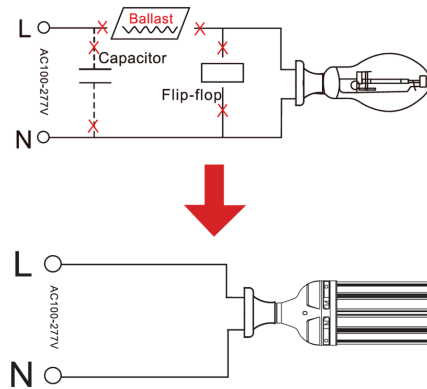
Minimum Compartment Size

| Length x Width x Height [in] | Lamp Quantity |
|------------------------------|---------------|
| 10 | 1 |

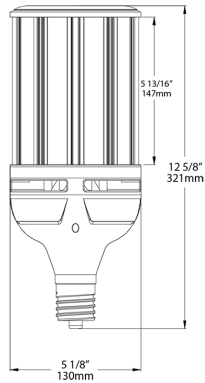
Case and Pallet Dimensions

| | QTY | LENGTH (in) | WIDTH (in) | HEIGHT (in) |
|--------|-----|-------------|------------|-------------|
| CASE | 6 | 19.8 | 14.4 | 14 |
| PALLET | 108 | 30.8 | 41.6 | 47.4 |

Wiring Diagram



Dimension



Light Distribution

