



Hood with tempered glass lens reduces glare and protects lamp from water and impact damage. Die cast aluminum. Fits H101 and HB101. Can be combined with HG1 Guard.

Color: Black

Weight: 0.8 lbs

Project:

Type:

Prepared By:

Date:

Technical Specifications

Construction

Material:

Die cast aluminum

Lens:

Tempered glass lens included

Guard:

Designed to fit the H101 and HB101. Can be combined with HG1 Guard.

Stealth Accessory:

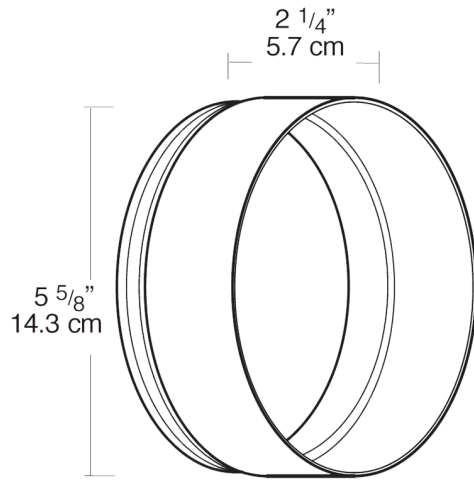
Guards also fit RAB's Stealth Bullet and Bell Flood Kits. [See Stealth Page.](#)

Other

Buy American Act Compliance:

RAB values USA manufacturing! Upon request, RAB may be able to manufacture this product to be compliant with the Buy American Act (BAA). Please contact customer service to request a quote for the product to be made BAA compliant.

Dimensions



Features

- Die cast aluminum
- Hood includes tempered glass lens
- Glass lens reduces glare
- Protects lamp from water and impact damage
- Fits H101 and HB101