



Project:	Type:
Prepared By:	Date:

Driver Info		LED Info	
Type	DC to DC	Watts	13W
120V	N/A	Color Temp	5000K (Cool)
208V	N/A	Color Accuracy	61 CRI
240V	N/A	L70 Lifespan	100,000 Hours
277V	N/A	Lumens	724 lm
Input Watts	15.3W	Efficacy	47.3 lm/W

Technical Specifications

Compliance

UL Listed:

Suitable for wet locations. Suitable for ground mounting.

Performance

Lifespan:

100,000-Hour LED lifespan based on IES LM-80 results and TM-21 calculations

LED Characteristics

LEDs:

Multi-chip 13 watt, high-output, long-life LEDs

Color Consistency:

7-step MacAdam Ellipse binning to achieve consistent fixture-to-fixture color

Color Stability:

LED color temperature is warrantied to shift no more than 200K in color temperature over a 5-year period

Color Temperature:

5000K

Color Uniformity:

RAB's range of Correlated Color Temperature follows the guidelines of the American National Standard for Specifications for the Chromaticity of Solid State Lighting (SSL) Products, ANSI C78.377-2017.

Electrical

Electrical Input Specifications:

MaxW = 15W. Input Volts = 10-30 VDC. Operating Amps = 1.5 - 0.5A.

Construction

Cold Weather Starting:

The minimum starting temperature is -30°C (-22°F)

Housing:

Die-cast aluminum housing, hood and mounting arm

Swivels:

Fully adjustable with sure-grip locks. 1/2" NPS threaded arm with serrated locking swivel fits all standard mounting covers. Color matched EZ Grip lock nuts. Stainless steel screw.

Mounting:

Heavy-duty arm with "O" ring seal and stainless steel screws

Gaskets:

High-temperature silicone gaskets

Finish:

Formulated for high durability and long-lasting color

Green Technology:

Mercury and UV free. RoHS-compliant components.

Optical

Reflector:

Specular aluminum. NEMA 5x5 floodlight reflector with 4x4 optional spotlight reflector for field installation. Photometrics show flood configuration.

Other

Patents:

The design of the LFLOOD is protected by US patents pending in US., Canada, China, Taiwan & Mexico.

Warranty:

RAB warrants that our LED products will be free from defects in materials and workmanship for a period of five (5) years from the date of delivery to the end user, including coverage of light output, color stability, driver performance and fixture finish. RAB's warranty is subject to all terms and conditions found at rablighting.com/warranty.

Equipment:

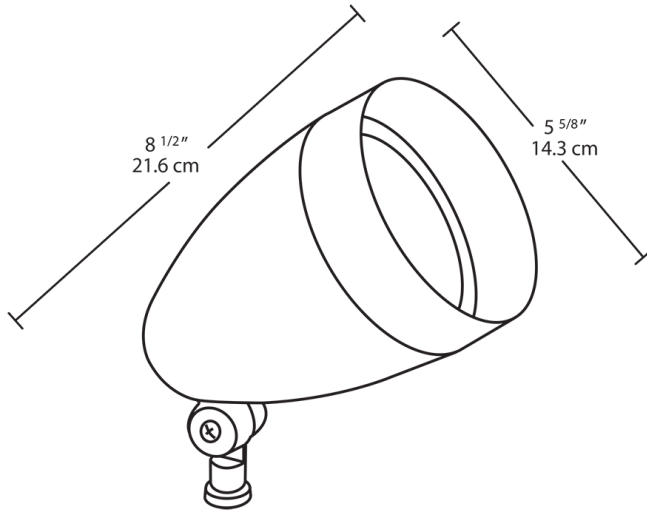
Solar panel, battery and controls by others

Technical Specifications (continued)

Buy American Act Compliance:

RAB values USA manufacturing! Upon request, RAB may be able to manufacture this product to be compliant with the Buy American Act (BAA). Please contact customer service to request a quote for the product to be made BAA compliant.

Dimensions



Features

- Low voltage DC
- Ideal for solar applications
- Up to 85% more energy efficient
- No energy-loss from DC-AC inverter
- Enables off-grid, remote-area lighting
- 5-Year, No-Compromise Warranty