



Bullet design. Durable one piece die cast with rugged mounting arm, weatherproof gasket and drain holes. Accepts 150 Watt PAR 38 max. Lamp not supplied.

Color: Bronze

Weight: 1.5 lbs

Project:

Type:

Prepared By:

Date:

Lamp Info

Type	PAR38
Watts	150W
Shape/Size	N/A
Base	N/A
ANSI	N/A
Hours	N/A
Lamp Lumens	N/A
Efficacy	N/A

Ballast Info

Type	N/A
120V	N/A
208V	N/A
240V	N/A
277V	N/A
Input Watts	N/A

Technical Specifications

Compliance

UL Listed:

Suitable for wet locations. Suitable for mounting within 4ft (1.2m) of the ground. When using as an upright in outdoor applications, a Hood or a Visor must be used.

Electrical

Sockets:

Porcelain with all copper current carrying components

Construction

Swivels:

Fully adjustable with sure-grip locks. 1/2" NPS threaded arm with serrated locking swivel fits all standard mounting covers. Color matched EZ Grip lock nuts.

Housings:

Die-cast aluminum with powder coat finish

Gaskets:

High-temperature silicone rubber extends around both socket and lamp

Optical

Lamps:

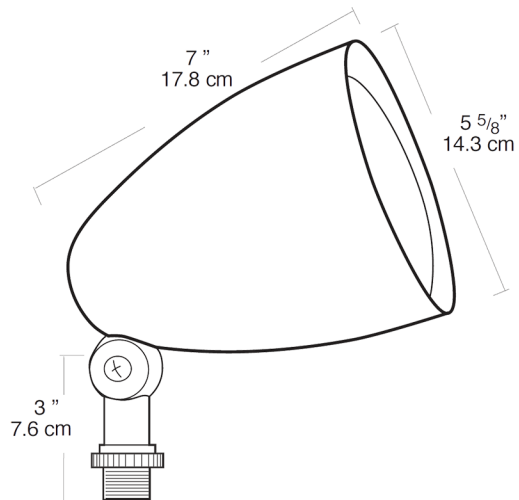
Medium base Par-38 lamps up to 150W. Halogen lamps give brighter light and choice of beam spreads.

Other

Buy American Act Compliance:

RAB values USA manufacturing! Upon request, RAB may be able to manufacture this product to be compliant with the Buy American Act (BAA). Please contact customer service to request a quote for the product to be made BAA compliant.

Dimensions



Features

- Lamp recessed 1" from lip for side glare reduction
- Set screw for hood, grill or visor attachment
- Heavy duty mounting arm with internal O-ring, locking teeth, and stainless steel screw
- Large Silicone rubber gasket provides weatherproof protection around the lamp and socket
- Caution: When using as an uplight in outdoor applications a Hood or a Visor must be used
- HV1 Visor with integral guard and glass lens for maximum glare reduction and lamp protection
- HG1 Guard: Protects lamp from damage and vandalism
- HH1 Hood with glass lens reduces glare and protects lamp from water and impact damage