



Ceiling Mount HAZLED is a Class I, Division 2 LED fixture designed with 60 years of experience in hazardous location lighting.

Color: Gray

Weight: 10.1 lbs

Project:

Type:

Prepared By:

Date:

Driver Info

Type	Constant Current
120V	0.25A
208V	0.13A
240V	0.12A
277V	0.11A
Input Watts	27.4W

LED Info

Watts	26W
Color Temp	5000K (Cool)
Color Accuracy	72 CRI
L70 Lifespan	100,000 Hours
Lumens	3,388 lm
Efficacy	123.6 lm/W

Technical Specifications

Hazardous Location Classifications

UL 844:

Electric lighting fixtures for use in hazardous (classified) locations

UL 1598:

Electric lighting fixtures for use in non-hazardous locations

UL 8750:

Light Emitting Diode (LED) Light Sources for Use in Lighting Products

Hazardous Location Classifications:

Class I: A hazardous location in which flammable gases or vapors may be present in the air in sufficient quantities to be explosive or ignitable, such as petroleum refineries, aircraft hangars, dry cleaning plants, utility gas plants or storage areas for liquified petroleum or natural gas, and spray finishing areas.

Division 2: Abnormal condition, where ignitable concentrations of flammable gases, vapors or liquids are not like to exist under normal operating conditions, for example:

Closed storage drums containing flammable liquids in an inside storage room would not normally allow the hazardous vapors to escape into the atmosphere. But if one of the containers is leaking, you've got an abnormal condition.

Groups A - D: The gases and vapors of Class 1 locations are broken into four groups by the Code: A,B,C, and D. These materials are grouped according to the ignition temperature of the substance, its explosion pressure, and other flammable characteristics.

Group A - The only substance in group A is acetylene because it is a gas with extremely high explosion pressures.

Group B - This group includes hydrogen and other materials with similar characteristics.

Group C & D - The most usual Class 1 groups. They

T Ratings:

HAZLED™ 26W model is T3C rated

LED Characteristics

LEDs:

Multi-chip, high-output, long-life LEDs

Color Stability:

LED color temperature is warranted to shift no more than 200K in color temperature over a 5-year period

Color Uniformity:

RAB's range of Correlated Color Temperature follows the guidelines of the American National Standard for Specifications for the Chromaticity of Solid State Lighting (SSL) Products, ANSI C78.377-2017.

Construction

Minimum Starting Temperature:

-40°C

Maximum Ambient Temperature:

Suitable for use in up to 55°C (131°F)

Thermal Management:

Superior heat sinking with external Air-Flow fins

Housing:

Die-cast aluminum housing, lens frame and mounting arm

comprise the greatest percentage of all Class I hazardous locations. Found in Group C is ethylene. Found in Group D are many of the most common flammable substances such as butane, gasoline, natural gas and propane.

Technical Specifications (continued)**Hardware:**

All external hardware is stainless steel

Reflector:

Semi-specular aluminum

Lens/Globes:

Clear flat glass lens

Mounting:

Ceiling mounting with (2) steel lugs

Conduit Entry:

3/4"

Gaskets:

Closed cell silicone gasket

Finish:

Our environmentally friendly polyester powder coatings are formulated for high-durability and long-lasting color

Green Technology:

Mercury and UV free. RoHS-compliant components.

Compliance**IP Rating:**

Ingress protection rating of IP66 for dust and water

Performance**Lifespan:**

100,000-Hour LED lifespan based on IES LM-80 results and TM-21 calculations

Wattage Equivalency:

Equivalent to 70W Metal Halide

Optical**BUG Rating:**

B1 U0 G0

Other**Warranty:**

RAB warrants that our LED products will be free from defects in materials and workmanship for a period of five (5) years from the date of delivery to the end user, including coverage of light output, color stability, driver performance and fixture finish. RAB's warranty is subject to all terms and conditions found at rablighting.com/warranty.

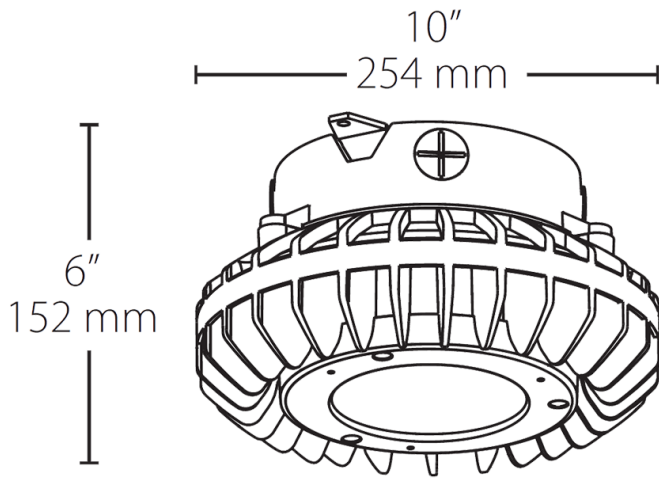
Buy American Act Compliance:

RAB values USA manufacturing! Upon request, RAB may be able to manufacture this product to be compliant with the Buy American Act (BAA). Please contact customer service to request a quote for the product to be made BAA compliant.

Electrical**Driver:**

Constant Current, Class 2, 100-277V, 50/60 Hz, 700mA, THD <20%, Power Factor 95%

Dimensions



Features

- Class 1, Division 2, Groups A, B, C, D
- IP66, UL1598, UL8750 and UL 844 ratings
- Resistant to shock and vibration
- Rugged construction ensures long-life and safe operation
- 100,000-Hour LED lifespan
- 5-Year, no-compromise warranty

Ordering Matrix

Family	Wattage	Lens/Globes	Guard	Driver Options
HAZXLED	26	CF	-	
	80 = 80W 26 = 26W 42 = 42W	CF = Clear Flat Lens FF = Frosted Flat Lens C = Clear Globe F = Frosted Globe FR = Frosted Red Globe FG = Frosted Green Globe FB = Frosted Blue Globe FA = Frosted Amber Globe	Blank = No guard G = Wire guard DG = Die cast guard	Blank = On/Off /D10 = 0-10V Dimming /480 = 480V On/Off