

# INSTRUCTIONS

## HAZX INSTRUCTION

# RAB®

RAB Lighting is committed to creating high-quality, affordable, well-designed and energy-efficient LED lighting and controls that make it easy for electricians to install and end users to save energy. We'd love to hear your comments. Please call the Marketing Department at 888-RAB-1000 or email: [marketing@rablighting.com](mailto:marketing@rablighting.com)



40W / 80W



100W / 150W / 200W

### IMPORTANT

**READ CAREFULLY BEFORE INSTALLING FIXTURE. RETAIN THESE INSTRUCTIONS FOR FUTURE REFERENCE.**

RAB fixtures must be wired in accordance with the National Electrical Code and all applicable local codes. Proper grounding is required for safety. THIS PRODUCT MUST BE INSTALLED IN ACCORDANCE WITH THE APPLICABLE INSTALLATION CODE BY A PERSON FAMILIAR WITH THE CONSTRUCTION AND OPERATION OF THE PRODUCT AND THE HAZARDS INVOLVED.

**WARNING:**

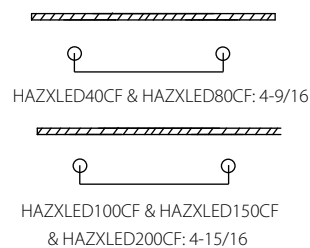
- Make certain power is OFF before installing or maintaining fixture.
- Suitable for non-insulated surface and frame.
- Do not cover fixture with insulation liner or similar material.
- Do not install on unstable, loose, or breakable surfaces.

**Hazardous Location: Class I, Division 2, Groups A, B, C, D; Class II, Division 1, Groups E, F, G.**

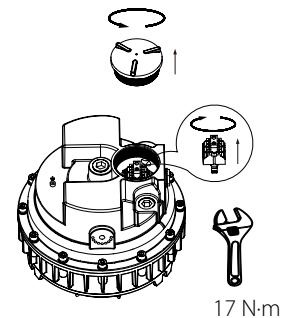
### YOKE MOUNTING

1. Drill **2x1/2** holes for expanded screws, the distance for **HAZX40CF & HAZX80CF** is 4-9/16, and for **HAZX100CF & HAZX150CF & HAZX200CF** is 4-15/16, tighten the nuts to fix the fixture (*Fig. 1*).
2. Take out the top **Driver Box Cover**. The torque for opening the **Driver Box Cover** with a wrench is **17 N·m** (*Fig. 2*).
3. Rotate the **Terminal Block** 40 degrees counterclockwise (*Fig. 2*) and take the **Terminal Block** out (*Fig. 3*).
4. Connect the wire to power supply circuit, **Green** to Ground, **White** to Neutral, **Black** to Live (*Fig. 14*).
5. After connecting cables, put the **Terminal Block** back on and tighten the **Driver Box Cover**. The torque to tighten the **Driver Box Cover** with a wrench is **17 N·m**.
6. Install the Fixture on the ceiling.
7. Installation complete.

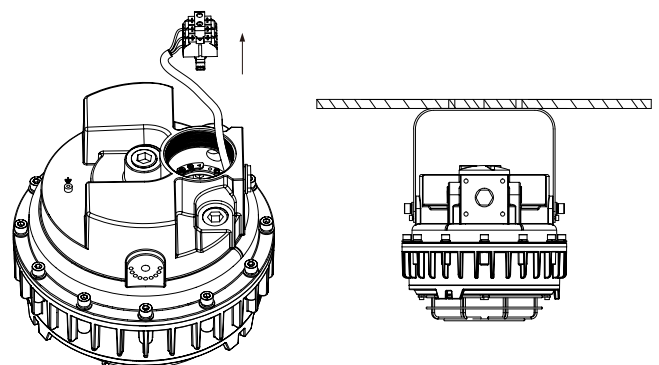
**Fig.1**



**Fig.2**



**Fig.3**



# INSTRUCTIONS

## HAZX INSTRUCTION

# RAB®

RAB Lighting is committed to creating high-quality, affordable, well-designed and energy-efficient LED lighting and controls that make it easy for electricians to install and end users to save energy. We'd love to hear your comments. Please call the Marketing Department at 888-RAB-1000 or email: [marketing@rablighting.com](mailto:marketing@rablighting.com)

## STANCHION MOUNTING

1. Remove the **Yoke Kit** from the **Driver Box** (Fig. 4).
2. Take out the top **Driver Box Cover**. The torque for opening the **Driver Box Cover** with a wrench is **17 N·m** (Fig. 5).
3. Rotate the **Terminal Block** 40 degrees counterclockwise (Fig. 5). Take the **Terminal Block** out (Fig. 6).
4. Pass the power cord through the sealing gasket of the **Stanchion Mounting Gasket**. Connect the wire to power supply circuit, Green to Ground, White to Neutral, Black to Live (Fig.14). After connecting cables, then pass it into the luminaire from the **M20** wire hole on the side of the luminaire. Apply **CHICO A** cement glue to the **M20** wire hole (Fig. 7).
5. Tighten the top **Driver Box Cover**. The torque to tighten the **Driver Box Cover** with a wrench is **17 N·m** (Fig. 8).
6. Install the luminaire on a fixed lamp pole, pay attention to matching thread (**NPT 1-1/2"**) of the lamp pole installation, and tighten the screws. Installation completed (Fig.9).

Fig.4

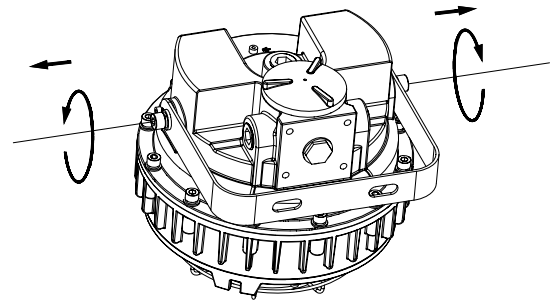


Fig.5

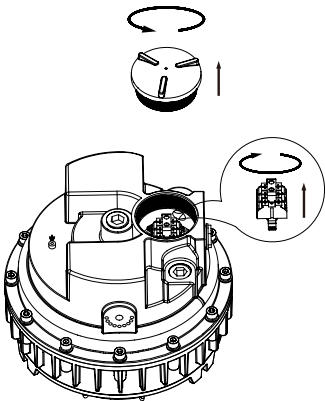


Fig.6

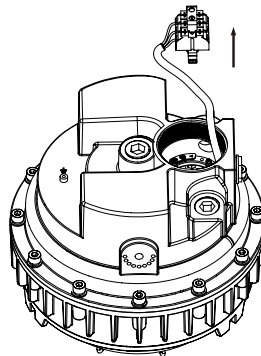


Fig.7

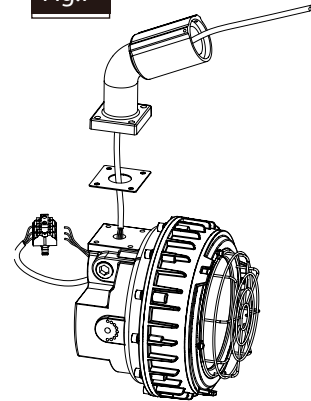


Fig.8

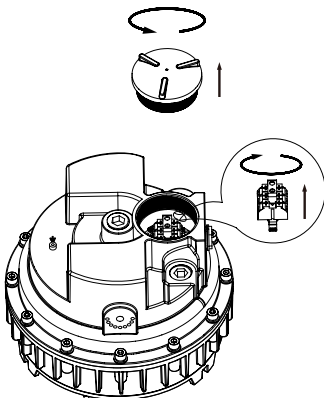
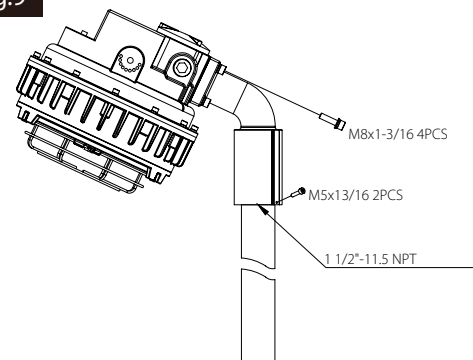


Fig.9



# INSTRUCTIONS

## HAZX INSTRUCTION



RAB Lighting is committed to creating high-quality, affordable, well-designed and energy-efficient LED lighting and controls that make it easy for electricians to install and end users to save energy. We'd love to hear your comments. Please call the Marketing Department at 888-RAB-1000 or email: [marketing@rablighting.com](mailto:marketing@rablighting.com)

### PENDANT MOUNTING

1. Remove the **Yoke Kit** from the **Driver Box** (Fig.10).
2. Take out the top **Driver Box Cover**. The torque for opening the **Driver Box Cover** with a wrench is **17 N·m** (Fig.11).
3. Rotate the **Terminal Block** 40 degrees counterclockwise (Fig. 11) then take the **Terminal Block** out (Fig. 12).
4. Connect the wire to power supply circuit, Green to Ground, White to Neutral, Black to Live (Fig.14).
5. After connecting cables, put the **Terminal Block** back on and tighten the **Driver Box Cover**. The torque for tighten the **Driver Box Cover** with a wrench is **17 N·m**.
6. Fix the Fixture **mounting pipe** (ordered separately).
7. Fix the Fixture on the **Mounting Pipe**, tighten the threads (at least 5 full threads), and torque 525N (Fig. 13).
8. Installation complete.

Fig.10

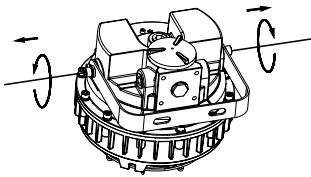


Fig.11

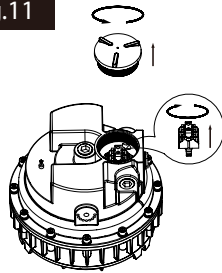


Fig.12

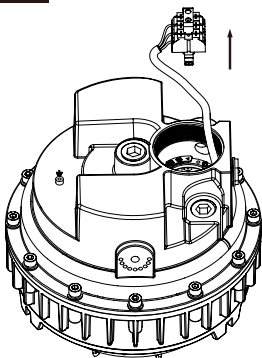
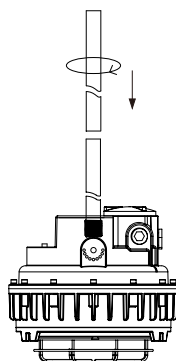


Fig.13

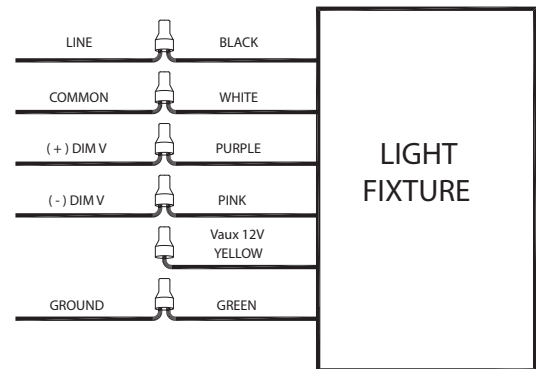


### 0-10V DIMMABLE WIRING

Universal voltage driver permits operation at 120V thru 277V, or 480V , 50 or 60 Hz. For 0-10V dimming follow the wiring directions as shown in Fig. 14.

1. Connect the black fixture lead to the **LINE** supply lead.
2. Connect the white fixture lead to the **COMMON** supply lead.
3. Connect the **GROUND** wire from fixture to supply ground. Do **NOT** connect the **GROUND** of the dimming fixture to the output.
4. Connect the purple fixture lead to the (V+) DIM lead.
5. Connect the pink fixture lead to the (V-) DIM lead.
6. Cap the yellow fixture lead, if present. Do NOT connect.

Fig.14



### CLEANING & MAINTENANCE

**CAUTION:** Be sure fixture temperature is cool enough to touch. Do not clean or maintain while fixture is energized.

1. Clean polycarbonate lens with non-abrasive glass cleaning solution.
2. Do not open the fixture to clean the LED. Do not touch the LED.
3. Do not clean any fixture surface with wood-base cleaning material such as paper towels or tissues.

### TROUBLESHOOTING

1. Check that the line voltage at the fixture is correct. Refer to wiring directions
2. Is the fixture grounded properly?

**Note:** These instructions do not cover all details or variations in equipment nor do they provide for every possible situation during installation, operation or maintenance.



© 2025 RAB LIGHTING Inc.  
HAZX-IN-0725  
P-101659

#### Easy Answers

[rablighting.com](http://rablighting.com)  
Visit our website for product info

**Tech Help Line**  
Call our experts: 888 722-1000

**e-mail**  
Answered promptly - [tech@rablighting.com](mailto:tech@rablighting.com)

**Free Lighting Layouts**  
Answered online or by request

**RAB WARRANTY:** RAB's warranty is subject to all terms and conditions found at [rablighting.com/warranty](http://rablighting.com/warranty).