



Stanchion Mount HAZLED is a Class I, Division 2 LED fixture designed with 60 years of experience in hazardous location lighting.

Color: Gray

Weight: 17.3 lbs

Project:

Type:

Prepared By:

Date:

### Driver Info

Type	Constant Current
120V	0.68A
208V	0.40A
240V	0.35A
277V	0.3A
Input Watts	81.4W

### LED Info

Watts	80W
Color Temp	5000K (Cool)
Color Accuracy	N/A
L70 Lifespan	100,000 Hours
Lumens	N/A
Efficacy	N/A

## Technical Specifications

### Hazardous Location Classifications

#### UL 844:

Electric lighting fixtures for use in hazardous (classified) locations

#### UL 1598:

Electric lighting fixtures for use in non-hazardous locations

#### UL 8750:

Light Emitting Diode (LED) Light Sources for Use in Lighting Products

### Hazardous Location Classifications:

**Class I:** A hazardous location in which flammable gases or vapors may be present in the air in sufficient quantities to be explosive or ignitable, such as petroleum refineries, aircraft hangars, dry cleaning plants, utility gas plants or storage areas for liquified petroleum or natural gas, and spray finishing areas.

**Division 2:** Abnormal condition, where ignitable concentrations of flammable gases, vapors or liquids are not like to exist under normal operating conditions, for example:

Closed storage drums containing flammable liquids in an inside storage room would not normally allow the hazardous vapors to escape into the atmosphere. But if one of the containers is leaking, you've got an abnormal condition.

**Groups A - D:** The gases and vapors of Class 1 locations are broken into four groups by the Code: A,B,C, and D. These materials are grouped according to the ignition temperature of the substance, its explosion pressure, and other flammable characteristics.

**Group A -** The only substance in group A is acetylene because it is a gas with extremely high explosion pressures.

**Group B -** This group includes hydrogen and other materials with similar characteristics.

**Group C & D -** The most usual Class 1 groups. They

### LED Characteristics

#### LEDs:

Multi-chip, high-output, long-life LEDs

#### Color Stability:

LED color temperature is warranted to shift no more than 200K in color temperature over a 5-year period

#### Color Uniformity:

RAB's range of Correlated Color Temperature follows the guidelines of the American National Standard for Specifications for the Chromaticity of Solid State Lighting (SSL) Products, ANSI C78.377-2017.

### Construction

#### Minimum Starting Temperature:

-40°C

#### Maximum Ambient Temperature:

Suitable for use in up to 55°C (131°F)

#### Thermal Management:

Superior heat sinking with external Air-Flow fins

#### Housing:

Die-cast aluminum housing, lens frame and mounting arm

#### Hardware:

All external hardware is stainless steel

comprise the greatest percentage of all Class I hazardous locations. Found in Group C is ethylene. Found in Group D are many of the most common flammable substances such as butane, gasoline, natural gas and propane.

**Technical Specifications (continued)****Reflector:**

Semi-specular aluminum

**Lens/Globes:**

Clear flat glass lens

**Mounting:**

Stanchion mounting to 1 1/2" stanchion

**Conduit Entry:**

3/4"

**Gaskets:**

Closed cell silicone gasket

**Finish:**

Our environmentally friendly polyester powder coatings are formulated for high-durability and long-lasting color

**Green Technology:**

Mercury and UV free. RoHS-compliant components.

**Compliance****IP Rating:**

Ingress protection rating of IP66 for dust and water

**Performance****Lifespan:**

100,000-Hour LED lifespan based on IES LM-80 results and TM-21 calculations

**Wattage Equivalency:**

Equivalent to 150W Metal Halide

**Other****Warranty:**

RAB warrants that our LED products will be free from defects in materials and workmanship for a period of five (5) years from the date of delivery to the end user, including coverage of light output, color stability, driver performance and fixture finish. RAB's warranty is subject to all terms and conditions found at [rablighting.com/warranty](http://rablighting.com/warranty).

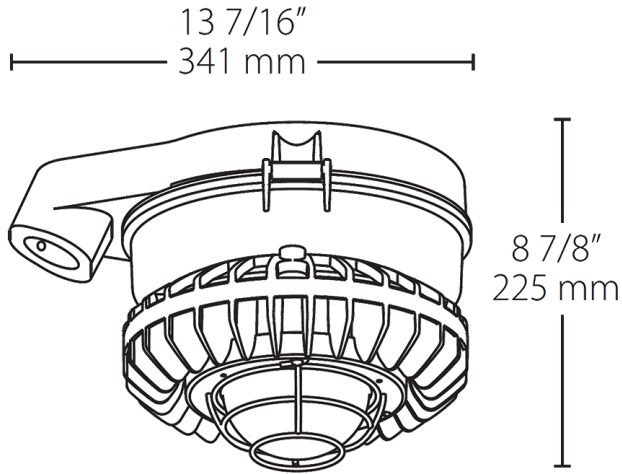
**Buy American Act Compliance:**

RAB values USA manufacturing! Upon request, RAB may be able to manufacture this product to be compliant with the Buy American Act (BAA). Please contact customer service to request a quote for the product to be made BAA compliant.

**Electrical****Driver:**

Constant Current, Class 2, 100-277V, 50/60 Hz, 2000mA, THD <20%

## Dimensions



## Features

- Class 1, Division 2, Groups A, B, C, D
- IP66, UL1598, UL8750 and UL 844 ratings
- Resistant to shock and vibration
- Rugged construction ensures long-life and safe operation
- 100,000-Hour LED lifespan
- 5-Year, no-compromise warranty

## Ordering Matrix

Family	Wattage	Lens/Globes	Guard	Driver Options
HAZSLED	80	FG	-	G
	26 = 26W 42 = 42W 80 = 80W	CF = Clear Flat Lens FF = Frosted Flat Lens C = Clear Globe F = Frosted Globe FR = Frosted Red Globe FG = Frosted Green Globe FB = Frosted Blue Globe FA = Frosted Amber Globe	Blank = No guard G = Wire guard DG = Die cast guard	Blank = On/Off /D10 = 0-10V Dimming /480 = 480V On/Off