



Color: Gray

Weight: 11.6 lbs

Project:

Type:

Prepared By:

Date:

Driver Info

Type	Constant Current
120V	0.25A
208V	0.15A
240V	0.13A
277V	0.12A
Input Watts	29.4W

LED Info

Watts	30W
Color Temp	5000K
Color Accuracy	83 CRI
L70 Lifespan	50,000 Hours
Lumens	4,012 lm
Efficacy	136.5 lm/W

Technical Specifications

Hazardous Location Classifications

Class 1, Division 2 (Groups A, B, C, D):

Class 1 (Hazardous Material in Surrounding Atmosphere):

Flammable vapors or gases may be present

Division 2 (Presence of Hazardous Materials):

Ignitable concentrations of hazards exist only under accidental system breakdowns or abnormal operating conditions

Groups A, B, C, D (Hazardous Material in Surrounding Atmosphere):

A = Acetylene

B = Hydrogen, butadiene, ethylene oxide, propylene oxide and acrolein

C = Ethylene, cyclopropane and ethyl ether

D = Acetone, ammonia, benzene, butane, ethanol, gasoline, hexane, methane, methanol, naphta, natural gas, propane & toluene

Class 2, Division 1 (Groups E, F, G):

Class 2 (Hazardous Material in Surrounding Atmosphere):

Combustible dust may be present

Division 1 (Presence of Hazardous Materials):

Ignitable concentrations of hazard exists under normal operating conditions

Groups E, F, G (Hazardous Material in Surrounding Atmosphere):

E = Combustible metal dusts: aluminum, commercial alloys and magnesium

F = Combustible carbonaceous dusts: carbon black, charcoal, coal and coke dusts

G = Other combustible dusts: chemicals, flour, grain, plastic and wood

Class 2, Division 2 (Groups F, G):

Class 2 (Hazardous Material in Surrounding Atmosphere):

Combustible dust may be present

Division 2 (Presence of Hazardous Materials):

Ignitable concentrations of hazards exist only under accidental system breakdowns or abnormal operating conditions

Groups F, G (Hazardous Material in Surrounding Atmosphere):

F = Combustible carbonaceous dusts: carbon black, charcoal, coal and coke dusts

G = Other combustible dusts: chemicals, flour, grain, plastic and wood

Class 3:

Class 3 (Hazardous Material in Surrounding Atmosphere):

Easily ignitable flyings or fibers may be present

UL 844:

Electric lighting fixtures for use in hazardous (classified) locations

Compliance

UL Listed:

Suitable for wet locations

IP Rating:

Ingress protection rating of IP66 for dust and water

DLC Listed:

This product is on the Design Lights Consortium (DLC) Qualified Products List and is eligible for rebates from DLC Member Utilities. Designed to meet DLC 5.1 requirements.

DLC Product Code: S-BM8ZX1

Electrical

Dimming Driver:

Driver includes dimming control wiring for 0-10V dimming systems. Requires separate 0-10V DC dimming circuit. Dims down to 10%.

Technical Specifications (continued)**THD:**

1.56% at 120V, 4.37% at 277V

Power Factor:

99.6% at 120V, 91.4% at 277V

Surge Protection:

4kV

Construction**Housing:**

Stainless steel

Mounting:

Two mounting options included: stainless steel, surface mount brackets or aircraft cable for suspended mount.

Rated Ambient Temperature Range:

-40°C (-40°F) to 50°C (122°F), T6

Lens:

Clear polycarbonate* lens.

*Polycarbonate is affected by cleaning agents or other liquids containing partial solvents such as low molecular weight aldehydes and ethers, ketones, esters, aromatic hydrocarbons and perchlorinated hydrocarbons. [Click here for a detailed list of damaging chemicals.](#)

Maximum Ambient Temperature:

Suitable for use in up to 50°C (122°F)

Cold Weather Starting:

The minimum starting temperature is -40°C (-40°F)

Gaskets:

High-temperature silicone

Green Technology:

Mercury and UV free. RoHS-compliant components.

Finish:

Formulated for high durability and long-lasting color

LED Characteristics**LEDs:**

Long-life, high-efficacy, surface-mount LEDs

Color Stability:

LED color temperature is warrantied to shift no more than 200K in color temperature over a 5-year period

Color Uniformity:

RAB's range of Correlated Color Temperature follows the guidelines of the American National Standard for Specifications for the Chromaticity of Solid State Lighting (SSL) Products, ANSI C78.377-2017.

Performance**Lifespan:**

50,000-Hour LED lifespan based on IES LM-80 results and TM-21 calculations

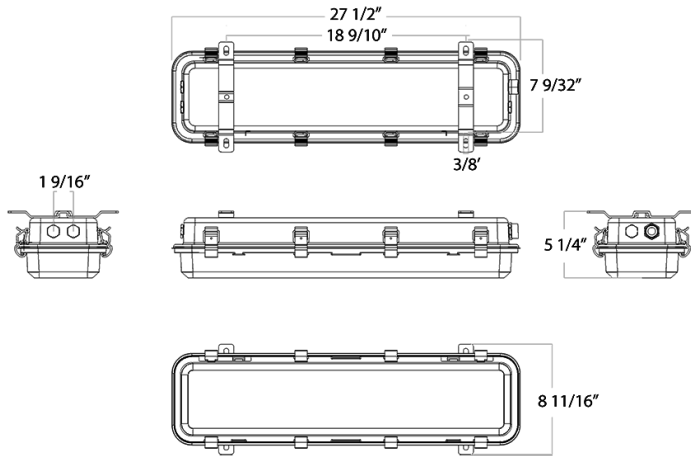
Other**Warranty:**

RAB warrants that our LED products will be free from defects in materials and workmanship for a period of five (5) years from the date of delivery to the end user, including coverage of light output, color stability, driver performance and fixture finish. RAB's warranty is subject to all terms and conditions found at rablighting.com/warranty.

Buy American Act Compliance:

RAB values USA manufacturing! Upon request, RAB may be able to manufacture this product to be compliant with the Buy American Act (BAA). Please contact customer service to request a quote for the product to be made BAA compliant.

Dimensions



Features

- Class 1, Division 2, Groups A, B, C, D
- Class 2, Division 1, Groups E, F, G
- Class 2, Division 2, Groups F, G
- Class 3
- IP66, UL1598, UL8750 and UL 844 ratings
- DLC Listed
- 50,000-Hour LED lifespan
- 5-Year, no-compromise warranty

Ordering Matrix

Family	Size/Wattage	Color Temp	Finish	Voltage	Options
HAZSHARK	2				
	2 = 2 ft (30W) 4 = 4 ft (50W)	Blank = 5000K	Blank = Gray	Blank = 120-277V, 0-10V Dimming	Blank = No Option /E = Battery Backup