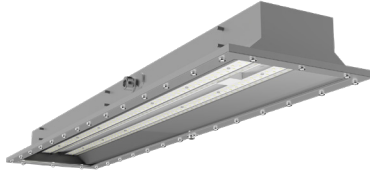


INSTRUCTIONS

HAZPAN HAZARDOUS LOCATION INSTALLATION

RAB®

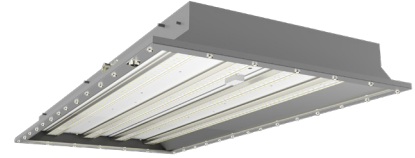
RAB Lighting is committed to creating high-quality, affordable, well-designed and energy-efficient LED lighting and controls that make it easy for electricians to install and end users to save energy. We'd love to hear your comments. Please call the Marketing Department at 888-RAB-1000 or email: marketing@rablighting.com



1X4



2X2



2X4

IMPORTANT

READ CAREFULLY BEFORE INSTALLING FIXTURE. RETAIN THESE INSTRUCTIONS FOR FUTURE REFERENCE.

RAB fixtures must be wired in accordance with the National Electrical Code and all applicable local codes. Proper grounding is required for safety. THIS PRODUCT MUST BE INSTALLED IN ACCORDANCE WITH THE APPLICABLE INSTALLATION CODE BY A PERSON FAMILIAR WITH THE CONSTRUCTION AND OPERATION OF THE PRODUCT AND THE HAZARDS INVOLVED.

Warning: Risk of fire or electric shock. High bay light installation requires knowledge of luminaires and electrical systems.

If not qualified, **DO NOT** try to install. Please contact an electrician.

Warning: Suitable for wet locations. Make sure the power is off prior to install.

Warning: Suitable for non-insulated surface and frame. **DO NOT** cover fixture with insulation liner or similar material.

Warning: **DO NOT** install onto unstable, loose or breakable surfaces.

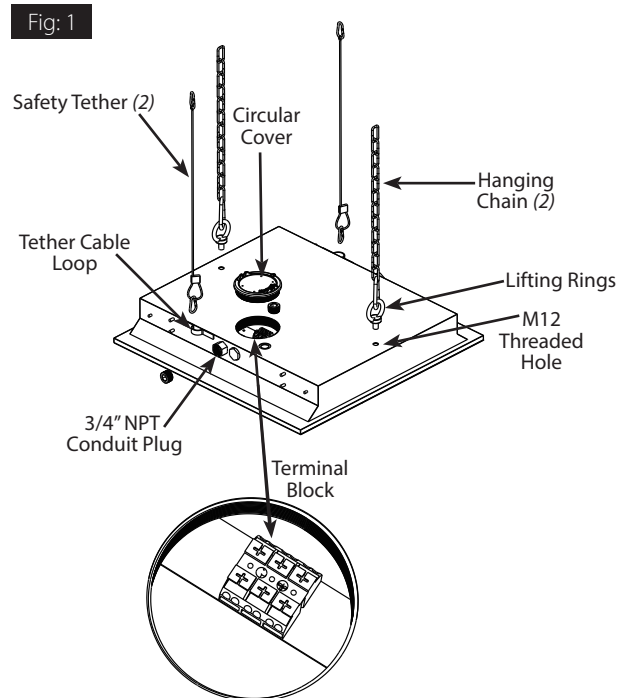
Warning: **DO NOT** let objects impact or exert force on the surface of the fixture

Warning: Risk of fire, electric shock or personal injury. Turn off power before installation.

CHAIN MOUNT

Chain Mounting Kit is provided.

1. As per installation requirements at site, unscrew the **3/4" NPT Conduit Plug** - either side plug (2) or the one near the large **Circular Cover** on the back of the fixture housing (Fig. 1).
2. Remove white plastic plugs to install **Lifting Rings** into back of fixture housing. Secure the **Lifting Rings** by tightening into the **M12 Threaded Holes** (Fig. 1).
3. Mark the mounting surface for **Hanging Chain** mounting locations as shown in Fig. 2.
4. Mount the fixture together with the fixed **Hanging Chain** to mounting surface using appropriate fasteners (by others) to secure.
5. Attach **Safety Tethers** (2) into the **Tether Cable Loops** on the side of fixture housing and attach to the ceiling or hook (by others) as shown in Fig. 1.
6. Unscrew the **Circular Cover**. Use appropriate fittings and conduit. Connect supply wires to the terminal block beneath the **Circular Cover** (Fig. 1). **L** is connected to Line, **N** is connected Neutral, and **GND** is connected to the ground wire (Fig. 10).
7. Re-install the **Circular Cover**.



INSTRUCTIONS

HAZPAN HAZARDOUS LOCATION INSTALLATION



RAB Lighting is committed to creating high-quality, affordable, well-designed and energy-efficient LED lighting and controls that make it easy for electricians to install and end users to save energy. We'd love to hear your comments. Please call the Marketing Department at 888-RAB-1000 or email: marketing@rablighting.com

Fig: 2

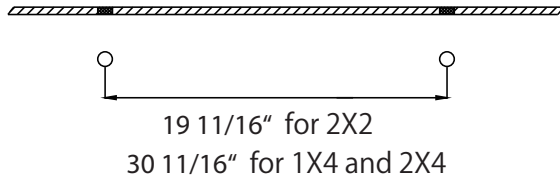
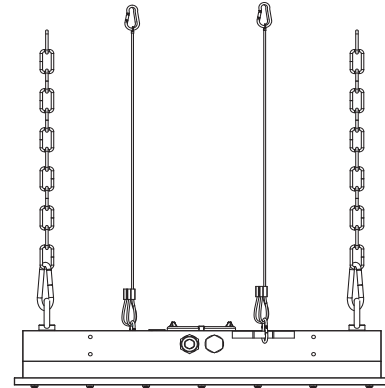


Fig: 3



CEILING MOUNT

Ceiling Mount Kit provided.

1. As per installation requirements at site, unscrew the **3/4" NPT Conduit Plug** - located on either side of fixture housing (2) as shown in Fig. 4
2. Unscrew the **Circular Cover**. Use appropriate fittings and conduit. Connect supply wires to **Terminal Block** beneath the **Circular Cover** (Fig. 4). **L** is connected to Line, **N** is connected to Neutral, and **GND** is connected to ground (Fig. 10).
3. Re-install the **Circular Cover**.
4. Install (4) **Ceiling Mount Brackets** to the **M6 External Thread Screws** on two sides of fixture housing by tightening with **Hex Nuts** (provided) as shown in Fig. 4.
5. Mark the mounting surface for mounting locations for the **Ceiling Mount Brackets** as shown in Fig. 5.
6. Install appropriate mounting hardware (*by others*) to the locations marked per Fig. 5 and secure the fixture to ceiling.
7. Attach **Safety Tethers** (2) into **Tether Cable Loops** on the side of fixture housing and attach to the ceiling or hook (*by others*) as shown in Fig. 6.

Fig: 4

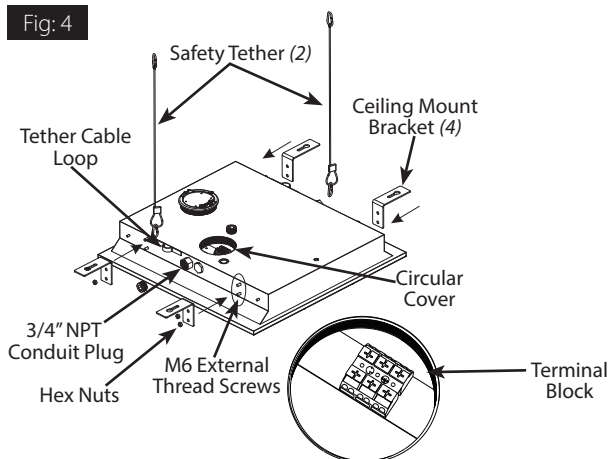


Fig: 5

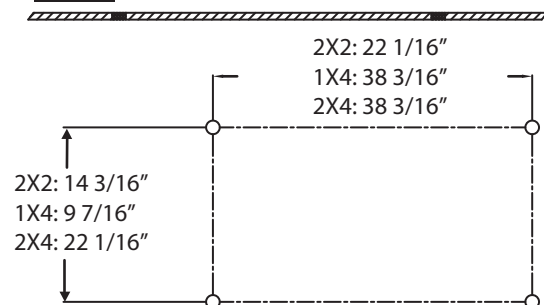
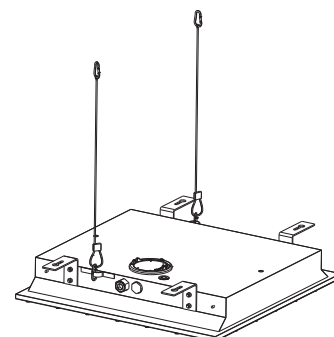


Fig: 6



INSTRUCTIONS

HAZPAN HAZARDOUS LOCATION INSTALLATION



RAB Lighting is committed to creating high-quality, affordable, well-designed and energy-efficient LED lighting and controls that make it easy for electricians to install and end users to save energy. We'd love to hear your comments. Please call the Marketing Department at 888-RAB-1000 or email: marketing@rablighting.com

RECESSED MOUNT

Recessed Mount Kit sold separately (HAZPANRM1X4, HAZPANRM2X2, HAZPANRM2X4).

1. As per installation requirement at site, unscrew the **3/4" NPT Conduit Plug** - either side plug (2) or the one near the **Circular Cover** on the back of the fixture housing as shown in Fig. 7.
2. Unscrew the **Circular Cover**. Use appropriate fittings and conduit. Connect supply wires to **Terminal Block** beneath the **Circular Cover** (Fig. 7). **L** is connected to Line, **N** is connected to Neutral, and **GND** is connected to ground (Fig. 10).
3. Re-install the **Circular Cover**.
4. Fix the **Hex Nuts** to the **Recessed Mount Brackets** (Fig. 7).
5. Insert the **Fixture** into the **Outer Frame** and secure with **L-Shape Brackets** as shown in Fig. 7 (1x4/10pcs, 2x2/ 8 pcs, 2x4/12 pcs).
6. Cut holes in the ceiling according to the dimensions shown in Fig. 8.
7. Attach **Safety Tethers** (2) to the **Tether Cable Loops** (2) on the side of fixture housing and then fix the **Safety Tether** to the ceiling or hook (by others) as shown in Fig. 7.
8. Install fixture to the opening and adjust the height of the fixture to the ceiling using **Recessed Mounting Brackets** and hardware by others (Fig. 7, 8, 9).

Fig: 7

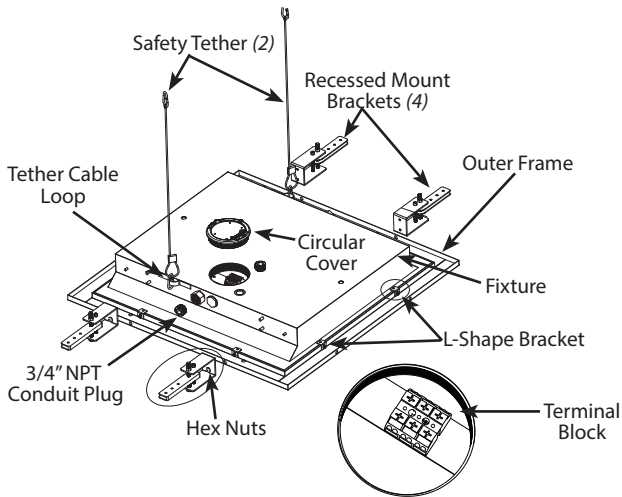


Fig: 9

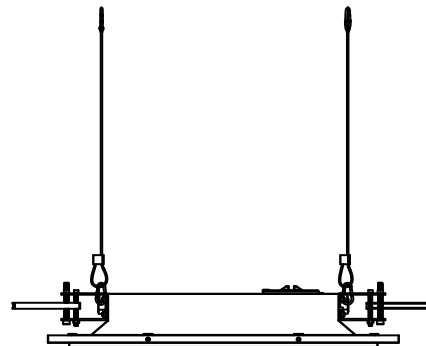
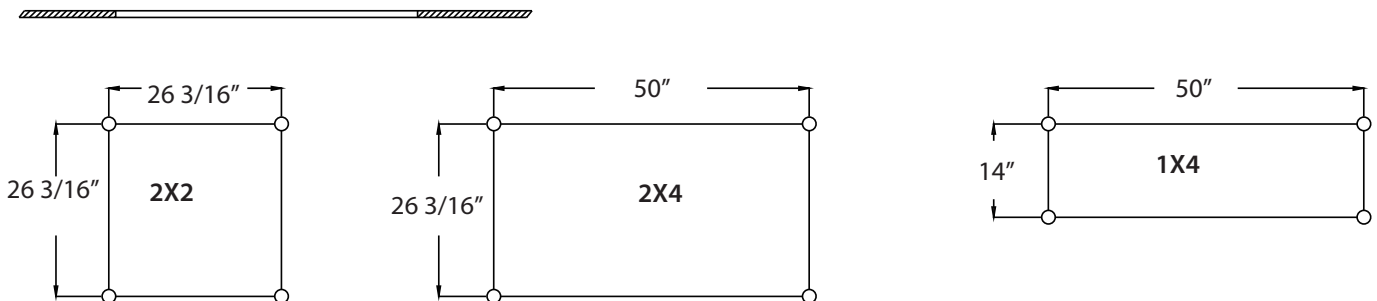


Fig: 8



INSTRUCTIONS

HAZPAN HAZARDOUS LOCATION INSTALLATION



RAB Lighting is committed to creating high-quality, affordable, well-designed and energy-efficient LED lighting and controls that make it easy for electricians to install and end users to save energy. We'd love to hear your comments. Please call the Marketing Department at 888-RAB-1000 or email: marketing@rablighting.com

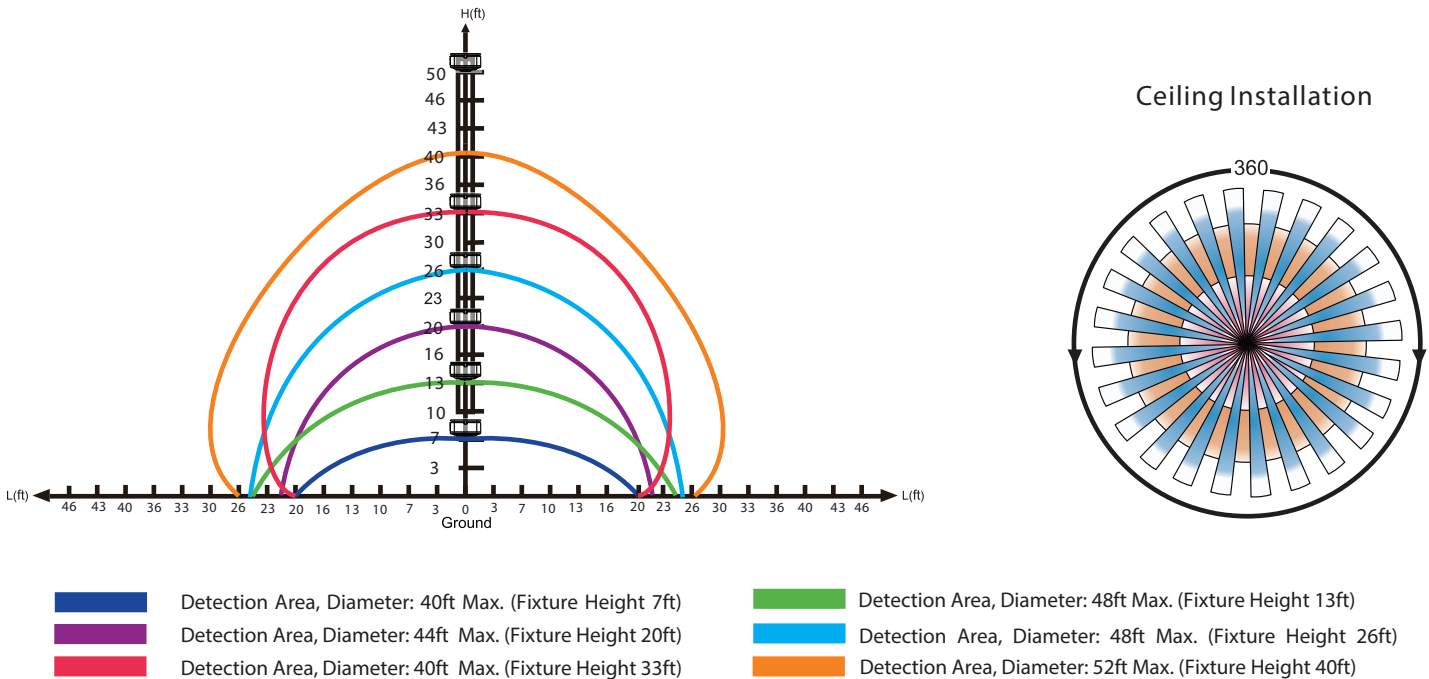
MVS MODELS *(Internal)*

(optional remote sold separately for custom settings, CAT# MSR2).

Factory Settings:

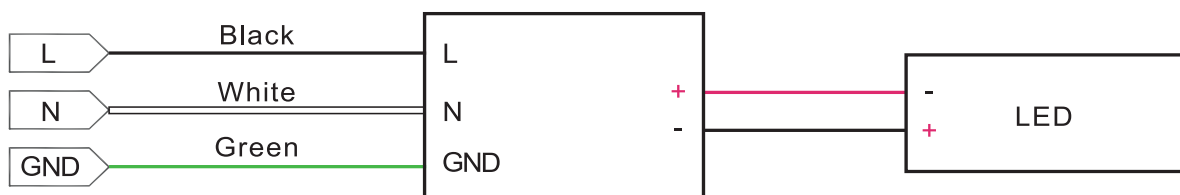
- Brightness: 100%
- Sensitivity: 100%
- Hold Time: 20 Minutes
- Stand-by dimming level: 30%
- Daylight: Disabled
- Stand-by time: 1 Minute

MVS DETECTION PATTERN



WIRING DIAGRAM (120V-277V)

Fig: 10



INSTRUCTIONS

HAZPAN HAZARDOUS LOCATION INSTALLATION



RAB Lighting is committed to creating high-quality, affordable, well-designed and energy-efficient LED lighting and controls that make it easy for electricians to install and end users to save energy. We'd love to hear your comments. Please call the Marketing Department at 888-RAB-1000 or email: marketing@rablighting.com

CLEANING & MAINTENANCE

CAUTION: Be sure fixture temperature is cool enough to touch. Do not clean or maintain while fixture is energized.

1. Clean polycarbonate lens with non-abrasive glass cleaning solution. For a list of damaging chemicals reference product information on rablighting.com.
2. Do not open the fixture to clean the LED. Do not touch the LED.

TROUBLESHOOTING

1. Check that the line voltage at the fixture is correct. Refer to wiring directions
2. Is the fixture grounded properly?

Note: *These instructions do not cover all details or variations in equipment nor do they provide for every possible situation during installation, operation or maintenance.*

INSTRUCTIONS

HAZPAN HAZARDOUS LOCATION INSTALLATION



RAB Lighting is committed to creating high-quality, affordable, well-designed and energy-efficient LED lighting and controls that make it easy for electricians to install and end users to save energy. We'd love to hear your comments. Please call the Marketing Department at 888-RAB-1000 or email: marketing@rablighting.com

BATTERY BACKUP MODELS

MAGNETICALLY CONTROLLED SWITCH

1. The **Magnetically Controlled Test Switch** is designed to test emergency function. When testing is not required, the magnet is attached to the edge of the fixture housing.
2. A **Magnetic Test Label** (Fig. 11) placed on the surface of the fixture housing identifies the position of the **Magnetic Controlled Test Switch**.

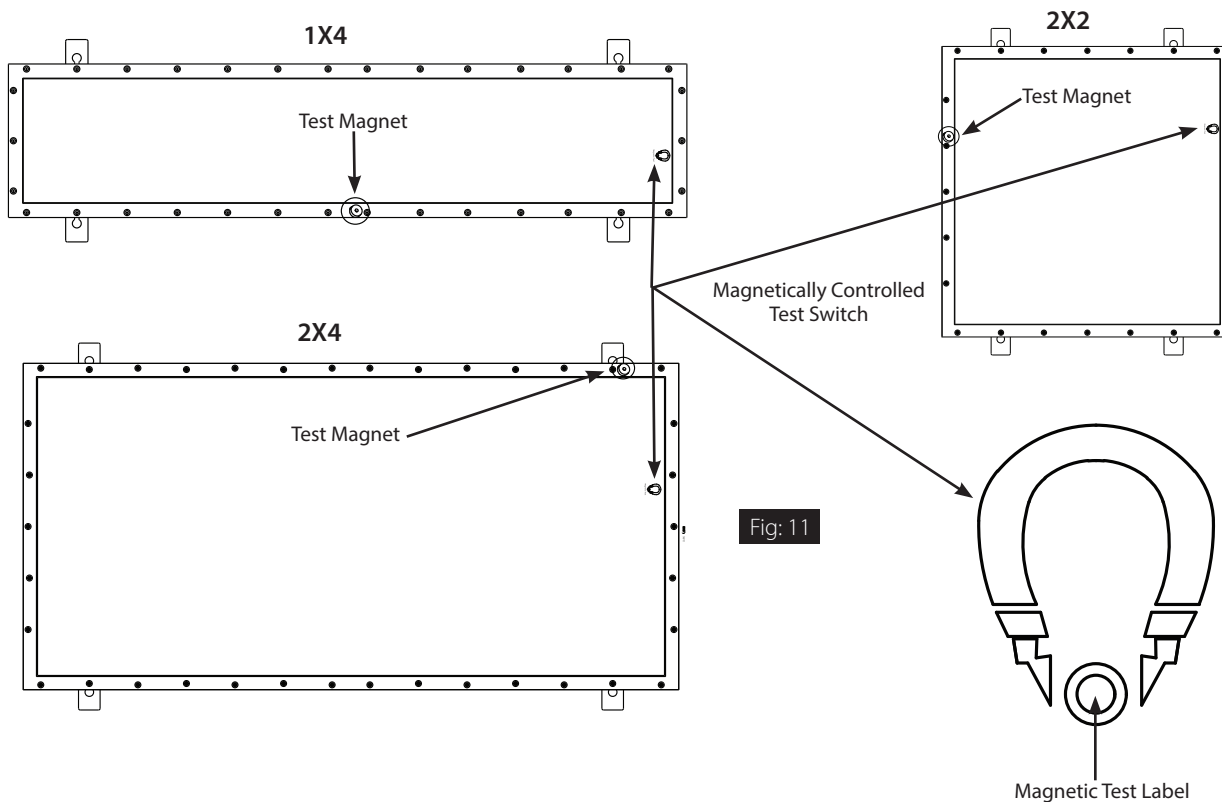


Fig: 11

Note:

1. To test, move the Magnet horizontally near the Magnetic Test Label.
2. To store the Magnet keep at least 6" (inches) away from the Magnetic Test Label.

Note:

The Magnetic Test Label placed on the surface of the fixture housing identifies the position of the Magnetic Test Switch. The arrow indicates the most effective position for testing.

INSTRUCTIONS

HAZPAN HAZARDOUS LOCATION INSTALLATION



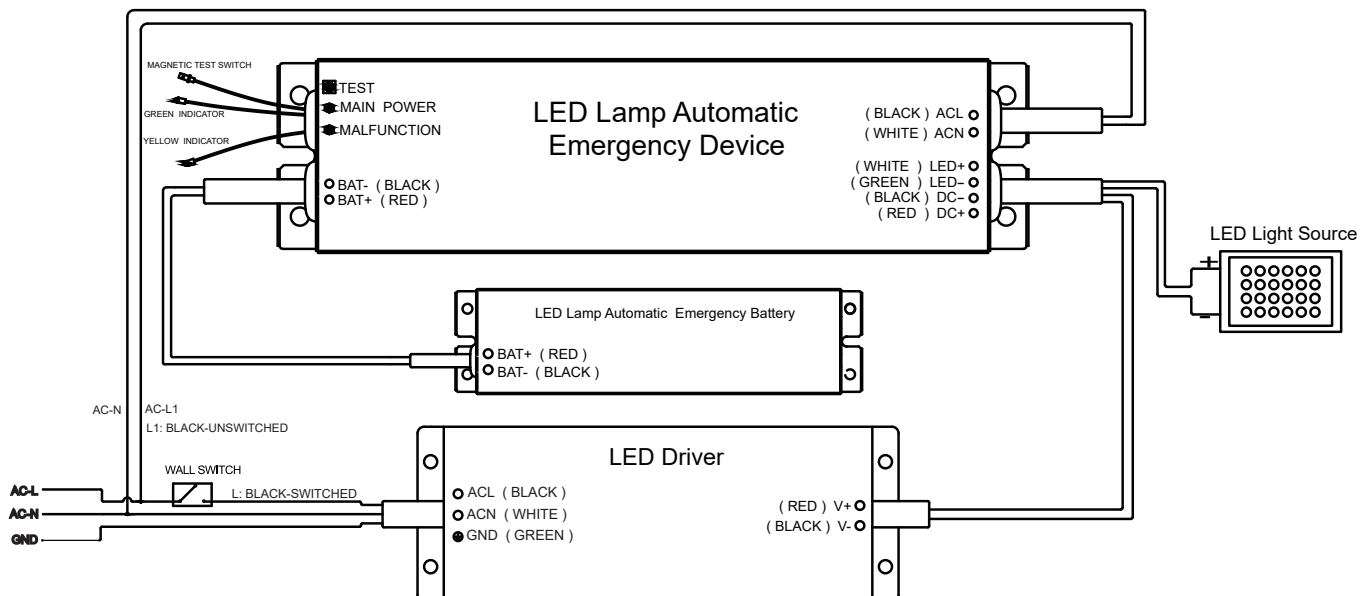
RAB Lighting is committed to creating high-quality, affordable, well-designed and energy-efficient LED lighting and controls that make it easy for electricians to install and end users to save energy. We'd love to hear your comments. Please call the Marketing Department at 888-RAB-1000 or email: marketing@rablighting.com

BATTERY BACKUP MODELS

Note: Battery Backup models are shipped with Battery Backup module turned on. To turn off after installation follow instructions below (TURN OFF EMERGENCY OUTPUT).

Function Table of Magnetically Controlled Test Switch

Function	Operation
Emergency Function Test	In AC mains mode, when the magnet approaches/leaves magnetic switch position, the product will change between AC mains mode and emergency mode. When the magnet is close to the magnetic switch position, the product will enter emergency mode from mains mode. When the magnet leaves the magnetic switch position, the product will return to AC mains mode from emergency mode.
Turn off Emergency Output	Disconnect the AC power and operate the product in emergency mode three times with the magnet close to and away from the magnetic switch position: exit emergency mode and turn off emergency output.
Monthly Test	In AC mode with full charge, manually enter the monthly test mode—magnet approaches and leaves the magnetic switch position 5 times. When entering the monthly test mode, the green indicator flashes at a frequency of 0.5 seconds for 5 times. After entering the monthly test mode, the green indicator flashes at a frequency of 1 second. The monthly test mode lasts for 30 seconds to check whether the emergency function is normal.
Annual Test	In AC mode with full charge, manually enter the annual test mode—magnet approaches and leaves the magnetic switch position 7 times. When entering the annual test mode, the green indicator flashes at a frequency of 0.5 seconds for 7 times. After entering the annual test mode, the green indicator flashes at a frequency of 1 second. The annual test mode lasts for 90 minutes to check whether the emergency discharge duration meets the standard (<i>US version 90 Min</i>).



INSTRUCTIONS

HAZPAN HAZARDOUS LOCATION INSTALLATION



RAB Lighting is committed to creating high-quality, affordable, well-designed and energy-efficient LED lighting and controls that make it easy for electricians to install and end users to save energy. We'd love to hear your comments. Please call the Marketing Department at 888-RAB-1000 or email: marketing@rablighting.com

Indicator

Operate Mode		LED Features	YELLOW LED (State LED)	Green LED (Indicate LED)
Charge Mode	Charging			Flash 0.2HZ (5S/time)
	Fully charged			ON
Discharge Mode	Discharge			Flash 1HZ (1S/time)
	Discharge cut-off			OFF
Battery disconnect			Flash 2HZ (0.5S/time)	
LED Lamp disconnect			Flash 2HZ (0.5S/time)	
Battery under voltage			Flash 1HZ (1S/time)	
Battery over voltage			Flash 1HZ (1S/time)	
Function test beginning (Monthly Test)				Flash 2HZ (0.5S/time), flash 5 times
Under function test				Flash 1HZ (1S/time)
Function test failed			Flash 0.5HZ (2S/time)	
Discharge duration test beginning (Annual Test)				Flash 2HZ (0.5S/time), flash 7 times
Under discharge duration test				Flash 1HZ (1S/time)
Discharge duration test failed			Flash 0.5HZ (2S/time)	

