



Color: Gray

Weight: 36.0 lbs

Project:

Type:

Prepared By:

Date:

Driver Info

Type	Constant Current
120V	0.50A
208V	0.29A
240V	0.25A
277V	0.24A
Input Watts	60.2W

LED Info

Watts	60W
Color Temp	5000K
Color Accuracy	84 CRI
L70 Lifespan	100,000 Hours
Lumens	8,834 lm
Efficacy	146.7

Technical Specifications

Hazardous Location Classifications

Class I Division 2 (Groups A, B, C, D):

Class I: A hazardous location in which flammable gases or vapors may be present in the air in sufficient quantities to be explosive or ignitable, such as petroleum refineries, aircraft hangars, dry cleaning plants, utility gas plants or storage areas for liquified petroleum or natural gas, and spray finishing areas.

Division 2: Abnormal condition, where ignitable concentrations of flammable gases, vapors or liquids are not like to exist under normal operating conditions, for example: Closed storage drums containing flammable liquids in an inside storage room would not normal allow the hazardous vapors to escape into the atmosphere. But if one of the containers is leaking, you've got an abnormal condition.

Group A - The only substance in group A is acetylene because it is a gas with extremely high explosion pressures.

Group B - This group includes hydrogen and other materials with similar characteristics.

Group C & D - The most usual Class 1 groups. They comprise the greatest percentage of all Class I hazardous locations. Found in Group C is ethylene. Found in Group D are many of the most common flammable substances such as butane, gasoline, natural gas and propane.

UL 844:

Electric lighting fixtures for use in hazardous (classified) locations

UL 1598:

Electric lighting fixtures for use in non-hazardous locations

Compliance

UL Listed:

Suitable for wet locations

IESNA LM-79 & LM-80 Testing:

RAB LED luminaires and LED components have been tested by an independent laboratory in accordance with IESNA LM-79 and LM-80.

IP Rating:

Ingress protection rating of IP66 for dust and water

DLC Listed:

This product is on the Design Lights Consortium (DLC) Qualified Products List and is eligible for rebates from DLC Member Utilities. Designed to meet DLC 5.1 requirements.

DLC Product Code: S-LQTSSV

Electrical

Driver:

Constant Current, Class 2, 50/60 Hz, 120V-277V, 120V: 0.50A, 208V: 0.29A, 240V: 0.25A, 277V: 0.24A

Dimming Driver:

Driver includes dimming control wiring for 0-10V dimming systems. Requires separate 0-10V DC dimming circuit. Dims down to 10%.

THD:

2.32% at 120V, 8.21% at 277V

Power Factor:

99.7% at 120V, 90.8% at 277V

Aux Power Supply:

Yes

Dim to Off:

Yes

Surge Protection:

L/N-PE: 10kV, L-N: 6kV

Construction

Cold Weather Starting:

The minimum starting temperature is Ta = -40°C (-40°F)

Technical Specifications (continued)

Rated Ambient Temperature Range:

-40°C (-40°F) to 40°C (104°F), T Code: T6
 -40°C (-40°F) to 56°C (133°F), T Code: T5
 -40°C (-40°F) to 66°C (151°F), T Code: T5

Housing:

Sheet metal

Lens:

Polycarbonate lens

Gaskets:

High-temperature silicone

Green Technology:

Mercury and UV free. RoHS-compliant components.

Finish:

Formulated for high durability and long-lasting color

Installation

Mounting:

All models come standard with ceiling mount and pendant mount kits Recessed mount kit will be sold as an accessory.

LED Characteristics

LEDs:

Long-life, high-efficacy, surface-mount LEDs

Color Uniformity:

RAB's range of Correlated Color Temperature follows the guidelines of the American National Standard for Specifications for the Chromaticity of Solid State Lighting (SSL) Products, ANSI C78.377-2017.

Color Consistency:

7-step MacAdam Ellipse binning to achieve consistent fixture-to-fixture color

Performance

Lifespan:

100,000-Hour LED lifespan based on IES LM-80 results and TM-21 calculations

Wattage Equivalency:

60W: Replaces up to (5) F32T8 or (9) F17T8 or (8) F14T5

Sensor Settings

Default Setting:

Brightness: 100%
 Hold Time: 20 Minutes
 Daylight: Disabled
 Sensitivity: 100%
 Stand-by Dimming Level: 20%

Operating Voltage:

12V DC

Operating Current:

≤25mA

Output:

Dim/0-10V

Microwave Frequency:

5.8GHz±75MHz

Microwave Power:

<0.3mW

Stand-by Power:

≤0.5W

Detection Area:

25%/50%/75%/100%

Hold Time:

5s/30s/1min/3min/5min/10min/20min/30min

Daylight Threshold:

2Lux/10Lux/30Lux/50Lux/80Lux/120Lux/Disable

Stand-by Period:

0s/10s/30s/1min/5min/10min/30min/+∞

Stand-by Dimming Level:

10%/20%/30%/50%

Operating Temperature:

-20°C~+60°C

Maximum Mounting Height:

13 ft

Max Detection Range:

22 ft diameter at 13 ft mounting height

Motion Detection:

0.5~1.5m/s

Lux On-Off:

Adopted dual PD technology. GUS17-MVS is able to differentiate artificial light brightness from natural light after installed inside.

Other

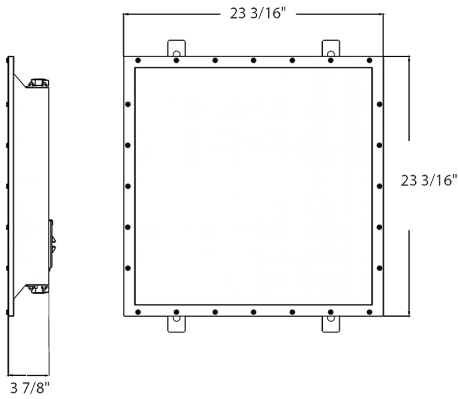
Warranty:

RAB warrants that our LED products will be free from defects in materials and workmanship for a period of five (5) years from the date of delivery to the end user, including coverage of light output, color stability, driver performance and fixture finish. RAB's warranty is subject to all terms and conditions found at rablighting.com/warranty.

Buy American Act Compliance:

RAB values USA manufacturing! Upon request, RAB may be able to manufacture this product to be compliant with the Buy American Act (BAA). Please contact customer service to request a quote for the product to be made BAA compliant.

Dimensions



Features

- Class 1, Division 2, Groups A, B, C, D
- IP66, UL1598 and UL 844 ratings
- DLC Listed
- 100,000-Hour LED lifespan
- 5-Year, no-compromise warranty

Ordering Matrix

Family	Size	Wattage	Color Temp	Finish	Mounting	Driver	Options
HAZPAN	2X2	60					/MVS
	2X2 = 2' x 2'	40 = 40W	Blank = 5000K	Blank = Gray	Blank = Pendant/Ceiling Mount	Blank = 120-277V, 0-10V Dimming	Blank = No Option /MVS = Microwave Occupancy Sensor (Internal) /E = Battery Backup
	1X4 = 1' x 4'	60 = 60W					
	2X4 = 2' x 4'	80 = 80W					