



Color: Gray

Weight: 22.4 lbs

**Project:**

**Type:**

**Prepared By:**

**Date:**

### Driver Info

|             |                  |
|-------------|------------------|
| Type        | Constant Current |
| 120V        | 1.24A            |
| 208V        | 0.88A            |
| 240V        | 0.69A            |
| 277V        | 0.55A            |
| Input Watts | 147.9W           |

### LED Info

|                |              |
|----------------|--------------|
| Watts          | 150W         |
| Color Temp     | 5000K        |
| Color Accuracy | 71 CRI       |
| L70 Lifespan   | 50,000 Hours |
| Lumens         | 23,833 lm    |
| Efficacy       | 161.1 lm/W   |

## Technical Specifications

### Hazardous Location Classifications

#### Class I:

Class I: A hazardous location in which flammable gases or vapors may be present in the air in sufficient quantities to be explosive or ignitable, such as petroleum refineries, aircraft hangars, dry cleaning plants, utility gas plants or storage areas for liquified petroleum or natural gas, and spray finishing areas.

#### Division 2:

Division 2: Abnormal condition, where ignitable concentrations of flammable gases, vapors or liquids are not like to exist under normal operating conditions, for example:

Closed storage drums containing flammable liquids in an inside storage room would not normal allow the hazardous vapors to escape into the atmosphere. But if one of the containers is leaking, you've got an abnormal condition.

#### Groups A - D:

Groups A - D: The gases and vapors of Class 1 locations are broken into four groups by the Code: A,B,C, and D. These materials are grouped according to the ignition temperature of the substance, its explosion pressure, and other flammable characteristics.

Group A - The only substance in group A is acetylene because it is a gas with extremely high explosion pressures.

Group B - This group includes hydrogen and other materials with similar characteristics.

Group C & D - The most usual Class 1 groups. They comprise the greatest percentage of all Class I hazardous locations. Found in Group C is ethylene. Found in Group D are many of the most common flammable substances such as butane, gasoline, natural gas and propane.

#### NEC/CE T-Code:

T4

#### UL 844:

Electric lighting fixtures for use in hazardous (classified) locations

#### Compliance

##### UL Listed:

Suitable for wet locations. Suitable for mounting within 4 ft (1.2m) of the ground.

#### IESNA LM-79 & LM-80 Testing:

RAB LED luminaires and LED components have been tested by an independent laboratory in accordance with IESNA LM-79 and LM-80.

#### IP Rating:

Ingress protection rating of IP66 for dust and water

#### DLC Listed:

This product is on the Design Lights Consortium (DLC) Qualified Products List and is eligible for rebates from DLC Member Utilities. Designed to meet DLC 5.1 requirements.  
DLC Product Code: S-6BJ9R0

#### Electrical

##### Driver:

Constant Current, Class 1, 120-277V, 50/60 Hz, 120V: 1.24A, 208V: 0.88A, 240V: 0.69A, 277V: 0.55A

##### Dimming Driver:

Driver includes dimming control wiring for 0-10V dimming systems. Requires separate 0-10V DC dimming circuit. Dims down to 10%.

##### THD:

3.86% at 120V, 6.43% at 277V

##### Power Factor:

99.8% at 120V, 94.3% at 277V

## Technical Specifications (continued)

### Surge Protection:

L/N-G 10KV, L-N 6KV

### Optical

#### NEMA Type:

7H x 6V Beam Spread

### Construction

#### Cold Weather Starting:

The minimum starting temperature is -40°C (-40°F)

#### Maximum Ambient Temperature:

Suitable for use in up to 55°C (131°F)

#### Housing:

Die-cast aluminum

#### Reflector:

High-reflective polycarbonate

#### Mounting:

Slipfitter for 2 3/8"OD pipe

#### Lens:

Clear glass lens

#### Tilt Increment:

Rotates in 6 degree increments

#### Effective Projected Area:

EPA = 1.24

#### Gaskets:

High-temperature silicone

#### Green Technology:

Mercury and UV free. RoHS-compliant components.

#### Finish:

Formulated for high durability and long-lasting color

### LED Characteristics

#### LEDs:

Long-life, high-efficacy, surface-mount LEDs

#### Color Uniformity:

RAB's range of Correlated Color Temperature follows the guidelines of the American National Standard for Specifications for the Chromaticity of Solid State Lighting (SSL) Products, ANSI C78.377-2017.

#### Color Consistency:

7-step MacAdam Ellipse binning to achieve consistent fixture-to-fixture color

### Performance

#### Lifespan:

100,000-Hour LED lifespan based on IES LM-80 results and TM-21 calculations

#### Wattage Equivalency:

Equivalent to 750W Metal Halide (MH) or 400W High Pressure Sodium (HPS)

### Other

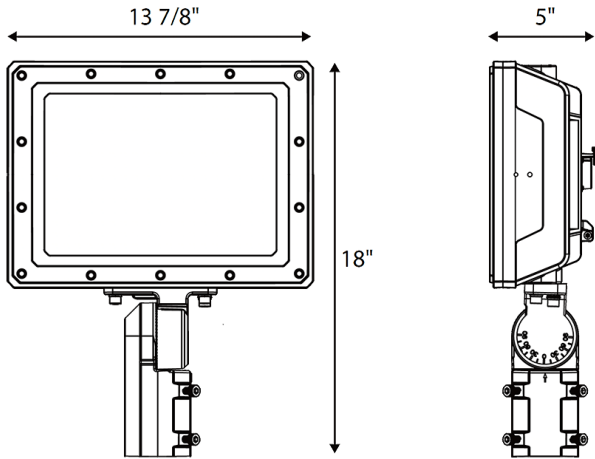
#### Warranty:

RAB warrants that our LED products will be free from defects in materials and workmanship for a period of five (5) years from the date of delivery to the end user, including coverage of light output, color stability, driver performance and fixture finish. RAB's warranty is subject to all terms and conditions found at [rablighting.com/warranty](http://rablighting.com/warranty).

#### Buy American Act Compliance:

RAB values USA manufacturing! Upon request, RAB may be able to manufacture this product to be compliant with the Buy American Act (BAA). Please contact customer service to request a quote for the product to be made BAA compliant.

## Dimensions



## Features

- Class 1, Division 2, Groups A, B, C, D
- IP66 Rating protects against dust & water ingress
- DLC Listed
- 50,000-Hour LED lifespan
- 5-Year, No-Compromise Warranty

## Ordering Matrix

| Family   | Wattage  | Mounting                        | Color Temp    | NEMA Type       | Finish       | Voltage   |
|----------|--|---------------------------------|---------------|-----------------|--------------|---|
| HAZFFLED | 150  | SF                              |               |                 |              |   |
|          | 30 = 30W<br>60 = 60W<br>100 = 100W<br>150 = 150W<br>200 = 200W | Blank = Yoke<br>SF = Slipfitter | Blank = 5000K | Blank = 7H x 6V | Blank = Gray | Blank = 120-277V, 0-10V Dimming<br>/480 = 480V, 0-10V Dimming |