

INSTRUCTIONS

HAZZFLED® INSTALLATION

RAB®

RAB Lighting is committed to creating high-quality, affordable, well-designed and energy-efficient LED lighting and controls that make it easy for electricians to install and end users to save energy. We'd love to hear your comments. Please call the Marketing Department at 888-RAB-1000 or email: marketing@rablighting.com



IMPORTANT

READ CAREFULLY BEFORE INSTALLING FIXTURE. RETAIN THESE INSTRUCTIONS FOR FUTURE REFERENCE.

RAB fixtures must be wired in accordance with the National Electrical Code and all applicable local codes. Proper grounding is required for safety. THIS PRODUCT MUST BE INSTALLED IN ACCORDANCE WITH THE APPLICABLE INSTALLATION CODE BY A PERSON FAMILIAR WITH THE CONSTRUCTION AND OPERATION OF THE PRODUCT AND THE HAZARDS INVOLVED.

WARNING: Make certain power is OFF before installing or maintaining fixture. No user serviceable parts inside.

CAUTION: TO REDUCE THE RISK OF IGNITION OF HAZARDOUS ATMOSPHERES, DISCONNECT THE LUMINAIRE FROM SUPPLY CIRCUIT BEFORE OPENING. KEEP TIGHTLY CLOSED WHEN IN OPERATION.

CLASS I DIV. 2 GROUP A, B, C, D.

MIN. 90°C SUPPLY CONDUCTORS. SUITABLE FOR WET LOCATIONS.

YOKE MOUNTING

The fixture is suitable for indoor/outdoor applications in wet locations.

1. Mark the surface or wall as appropriate as shown in Fig 1. Use suitable **Fasteners (by others)** for the **Mounting Surface**. Reference Fastener drill points (Fig. 1).
2. Attach the provided **Tether Cable** to suitable structure to prevent the fixture from falling (Fig. 2).
3. Loosen (2) **Captive Screws** on fixture **Access Door** as shown in Fig. 3. Open fixture **Access Door**, pre-installed tether cable will prevent **Access Door** from falling.
4. Remove **3/4" NPT Nut** (Fig. 3) and install appropriate conduit/fitting, use suitable thread sealer for fittings (4 conduit entry points are available). Pass the supply wires in the conduit through the **Conduit Entry**. Connect to the **Terminal Block** (Fig. 4) using proper polarity.
Note: Terminal Block Torque value 4.4 inch-lbs.
Wire according to NEC and all applicable codes (Fig. 16).
5. Close the **Access Door** with (2) **Captive Screws** (Fig. 3).
Note: The required torque for Captive Screws for securing the Access Door is 13.3 to 15 inch-lbs.
6. All conduit openings must be closed by conduit or **NPT Nut**. When installing the **NPT Nut** or conduit during installation or maintenance, make sure to take good waterproof measures on the threads of the fittings or plugs (Fig. 5).
7. To adjust the fixture to desired angle loosen the **Pivot** and **Locking Screws** (Fig. 6). Adjust fixture to desired angle, tighten **Pivot** and **Locking Screws** (Fig. 8).

Fig: 1

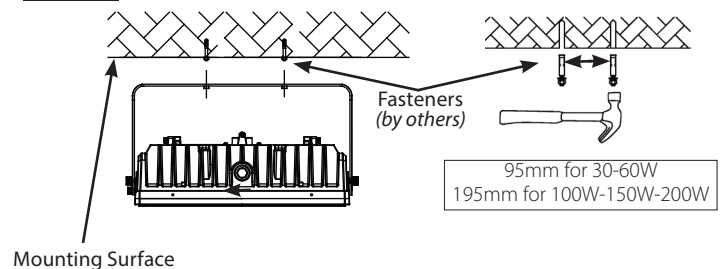


Fig: 2

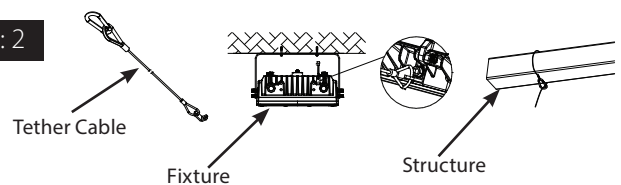


Fig: 3

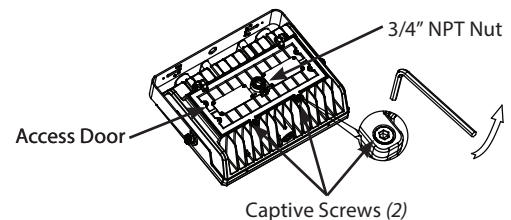
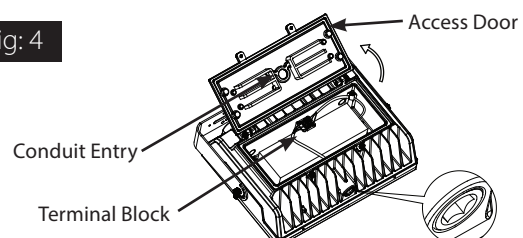


Fig: 4



INSTRUCTIONS

HAZZFLED® INSTALLATION

RAB®

RAB Lighting is committed to creating high-quality, affordable, well-designed and energy-efficient LED lighting and controls that make it easy for electricians to install and end users to save energy. We'd love to hear your comments. Please call the Marketing Department at 888-RAB-1000 or email: marketing@rablighting.com

Fig: 5

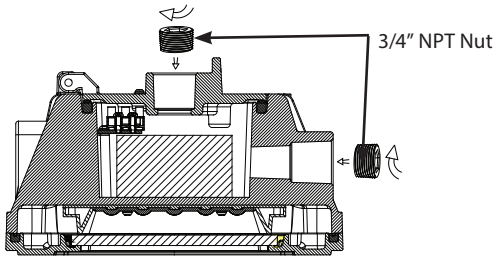
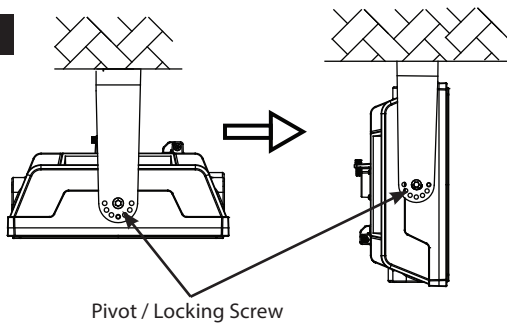


Fig: 6



SLIPFITTER MOUNTING

WARNING: RISK OF SERIOUS INJURY OR DEATH!
DO NOT MOUNT THE SLIPFITTER TO A TENON OR BRACKET THAT IS MORE THAN 20 DEGREES FROM VERTICAL. MOUNTING ANY ANGLE OTHER THAN 0 - 20° DEGREES INCREASES THE RISK OF DISENGAGEMENT AND/OR FAILURE OF THE SLIPFITTER. INSTALL THE POLE ON A SECURE BASE OR INSTALL THE BRACKET TO A WALL FIRST, THEN PLACE LUMINAIRE ONTO THE POLE OR BRACKET. DO NOT LIFT ASSEMBLED LUMINAIRE AND POLE, OR LUMINAIRE AND BRACKET, LUMINAIRE OR POLE/BRACKET MAY DISENGAGE.

Note: Wires must be in conduit and may not pass through the slipfitter. Wires may not be exposed.

1. Loosen (4) Locking Bolts on Slipfitter (Fig 7).
2. Place the Slipfitter onto the Pole or Tenon and tighten the (4) Locking Bolts to secure Slipfitter to Pole/Tenon (Fig. 8).
3. To adjust the fixture to desired angle loosen the Pivot Bolt and adjust. Fixture adjustable angle range is 0° to +/-90°. Tighten the Pivot Bolt (Fig. 9).
4. Attach the provided Tether Cable to suitable structure to prevent the fixture from falling (Fig. 2).
5. Loosen (2) Captive Screws on fixture Access Door as shown in Fig. 3.

6. Open fixture Access Door, pre-installed Tether Cable will prevent Access Door from falling.
7. Remove 3/4" NPT Nut and install appropriate conduit/ fitting, use suitable thread sealer for fittings. Pass the supply wires in the conduit through the Conduit Entry . Connect to the Terminal Block (Fig. 4) using proper polarity. **Note: Terminal Block Torque value 4.4 inch-lbs.** Wire according to NEC and all applicable codes (Fig. 16).
8. Close the Access Door Cover with (2) Captive Screws (Fig. 3). **Note: The required torque for Captive Screws for securing the Access Door is 13.3 to 15 inch-lbs.**
9. All conduit openings must be closed by conduit or NPT Nut. When installing the NPT Nut or conduit during installation or maintenance, make sure to take good waterproof measures on the threads of the fittings or plugs (Fig. 5).

Fig: 7

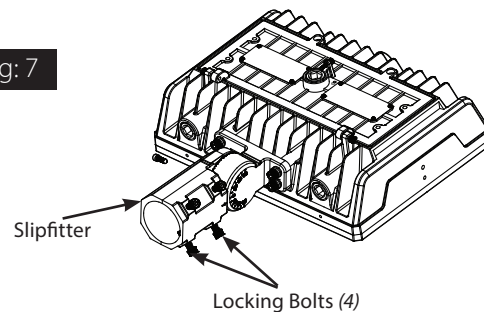


Fig: 8

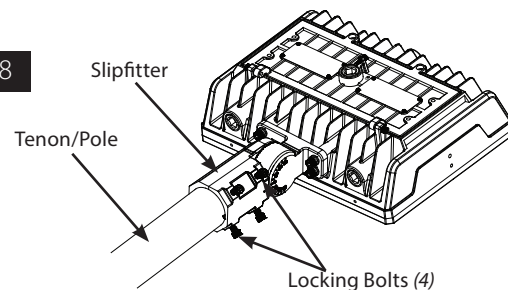
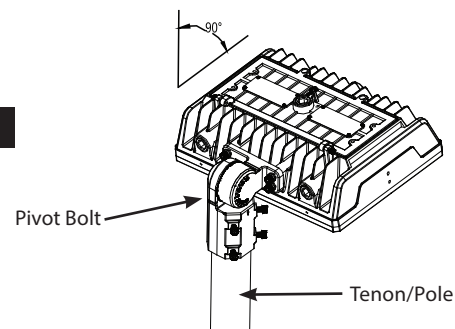


Fig: 9



INSTRUCTIONS

HAZFFLED® INSTALLATION

RAB®

RAB Lighting is committed to creating high-quality, affordable, well-designed and energy-efficient LED lighting and controls that make it easy for electricians to install and end users to save energy. We'd love to hear your comments. Please call the Marketing Department at 888-RAB-1000 or email: marketing@rablighting.com

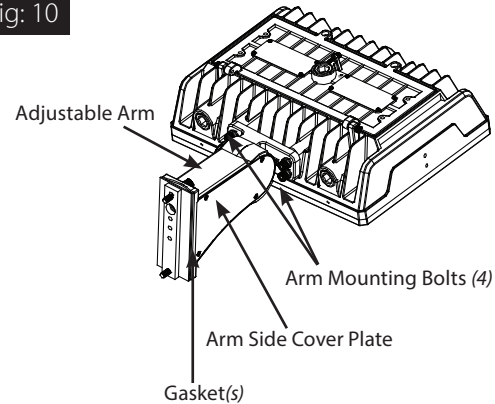
ADJUSTABLE ARM MOUNTING

Adjustable Arm sold separately model # HAZFF-ADJ-ARM.

Note: Wires must be in conduit and may not pass through the Adjustable Arm to the Fixture. Wires must not be exposed.

1. Install Adjustable Arm onto the fixture with (4) Arm Mounting Bolts (provided) as shown in Fig. 10.
2. Secure Adjustable Arm with provided gasket(s) for Square or Round Pole using (2) Bolts and Bolster Plate (provided), see Fig. 10, 11 and 12. For Round Pole mounting remove Curved Gasket.
3. To adjust the fixture to desired angle remove Arm Side Cover Plate by loosening (4) Captive Screws (Fig. 11 and 12). Locate the Locking Bolt inside the Adjustable Arm and loosen the Locking Bolt to adjust the fixture to desired angle then tighten the Locking Bolt. Replace Arm Side Cover Plate and Side Cover Gasket. Use caution that the Side Cover Gasket is properly seated. Adjustable angle is 0 to +/-35° (Fig. 12).
4. Attach the provided Tether Cable to suitable structure to prevent the fixture from falling (Fig. 2).
5. Loosen (2) Captive Screws on fixture Access Door as shown in Fig. 3.
6. Remove 3/4" NPT Nut and install appropriate conduit/ fitting, use suitable thread sealer for fittings. Pass the supply wires in the conduit through the Conduit Entry . Connect to the Terminal Block (Fig. 4) using proper polarity. Wire according to NEC and all applicable codes (Fig. 16).
7. Close the Access Door Cover with (2) Captive Screws (Fig. 3). **Note: The required torque for Captive Screws for securing the Access Door is 13.3 to 15 inch-lbs.**
8. All conduit openings must be closed by conduit or NPT Nut. When installing the NPT Nut or conduit during installation or maintenance, make sure to take good waterproof measures on the threads of the fittings or plugs.

Fig: 10



35°

Fig: 11

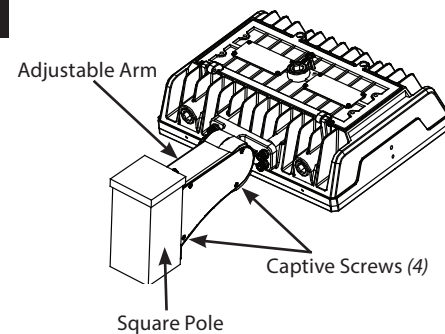
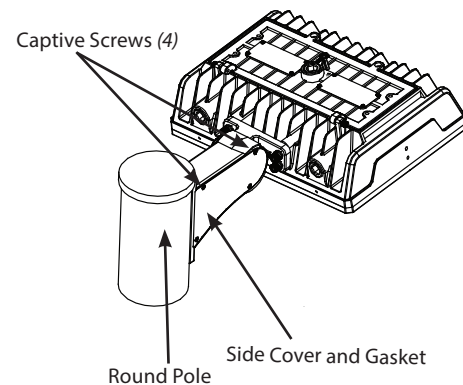


Fig: 12



INSTRUCTIONS

HAZZFLED® INSTALLATION



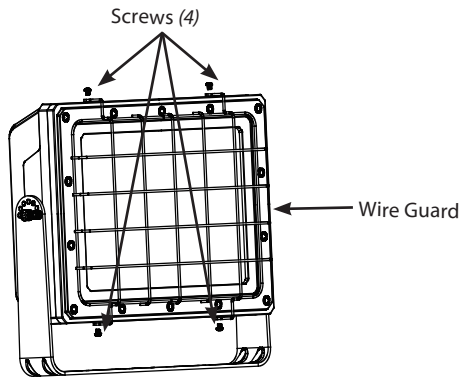
RAB Lighting is committed to creating high-quality, affordable, well-designed and energy-efficient LED lighting and controls that make it easy for electricians to install and end users to save energy. We'd love to hear your comments. Please call the Marketing Department at 888-RAB-1000 or email: marketing@rablighting.com

WIRE GUARD INSTALLATION

Wire Guard is sold separately model # GDHAZFFS, GDHAZFFM, GDHAZFFL.

1. Place **Wire Guard** on the fixture and align **Wire Guard** holes to fixture holes as shown in Fig. 13.
2. Secure the **Wire Guard** on the fixture using (4) **Screws (provided)**.
3. **Wire Guard** and **Housing Hood** can be installed together (Fig. 15) by first installing **Wire Guard** then installing **Housing Hood**.

Fig: 13



HOUSING HOOD INSTALLATION

Housing Hood is sold separately model # HHAZFFS, HHAZFFM, HHAZFFL.

1. Place **Housing Hood** on the fixture and align **Housing Hood** holes to fixture holes as shown in Fig. 14.
2. Secure the **Housing Hood** on the fixture using (4) **Screws (provided)**.
3. **Wire Guard** and **Housing Hood** can be installed together (Fig. 15) by first installing **Wire Guard** then installing **Housing Hood**.

Fig: 14

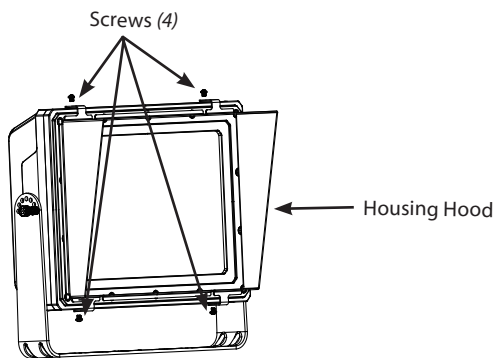
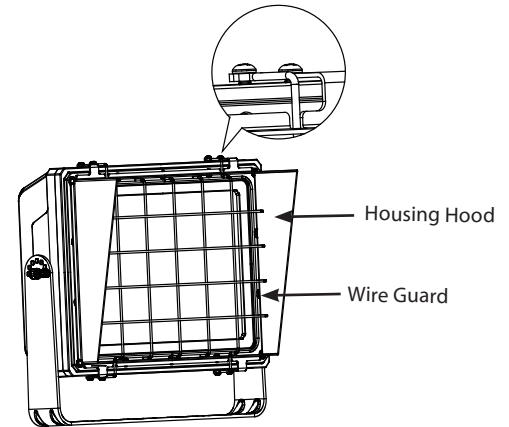


Fig: 15

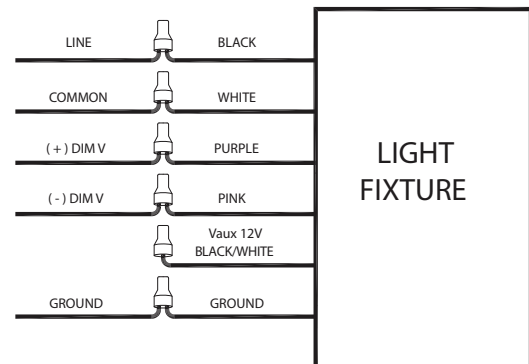


0-10V DIMMABLE WIRING

Universal voltage driver permits operation at 120V through 277V, 50 or 60 Hz. Units ordered with /480 suffix are 480 ONLY. For 0-10V dimming follow the wiring directions as shown below (Fig. 16).

1. Connect the black fixture lead to the LINE supply lead.
2. Connect the white fixture lead to the COMMON supply lead.
3. Connect the GROUND wire from fixture to supply ground. Do NOT connect the GROUND of the dimming fixture to the output.
4. Connect the purple fixture lead to the (V+) DIM lead.
5. Connect the pink fixture lead to the (V-) DIM lead.
6. Cap the yellow fixture lead, if present. Do NOT connect.

Fig: 16



INSTRUCTIONS

HAZFFLED® INSTALLATION



RAB Lighting is committed to creating high-quality, affordable, well-designed and energy-efficient LED lighting and controls that make it easy for electricians to install and end users to save energy. We'd love to hear your comments. Please call the Marketing Department at 888-RAB-1000 or email: marketing@rablighting.com

CLEANING & MAINTENANCE

CAUTION: Be sure fixture temperature is cool enough to touch. Do not clean or maintain while fixture is energized.

1. Clean lens with non-abrasive glass cleaning solution.
2. Do not open the fixture to clean the LEDs. Do not touch the LEDs.

TROUBLESHOOTING

1. Check that the line voltage at the fixture is correct. Refer to wiring directions.
2. Is the fixture grounded properly?



© 2025 RAB LIGHTING Inc.

Easy Answers

rablighting.com
Visit our website for product info

Tech Help Line
Call our experts: 888 722-1000

e-mail
Answered promptly - tech@rablighting.com

Free Lighting Layouts
Answered online or by request

HAZFFLED - 0125
P-100620

RAB WARRANTY: RAB's warranty is subject to all terms and conditions found at rablighting.com/warranty.