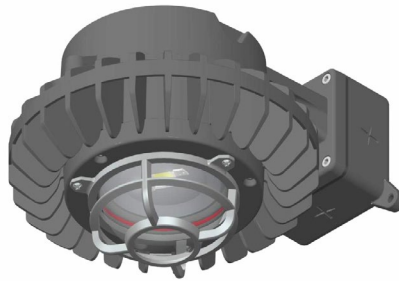


HAZLED™ WALL INSTALLATION INSTRUCTIONS



Thank you for buying RAB lighting fixtures. Our goal is to design the best quality products to get the job done right. We'd like to hear your comments. Call the Marketing Department at 888-RAB-1000 or email: marketing@rabweb.com



IMPORTANT

READ CAREFULLY BEFORE INSTALLING FIXTURE. RETAIN THESE INSTRUCTIONS FOR FUTURE REFERENCE.

Fixtures must be wired in accordance with the National Electrical Code and all applicable local codes. Proper grounding is required for safety. THIS PRODUCT MUST BE INSTALLED IN ACCORDANCE WITH THE APPLICABLE INSTALLATION CODE BY A PERSON FAMILIAR WITH THE CONSTRUCTION AND OPERATION OF THE PRODUCT AND THE HAZARDS INVOLVED.

WARNING: Make certain power is OFF before installing or maintaining fixture. No user serviceable parts inside.

SAFETY INSTRUCTIONS

CAUTION: TO REDUCE THE RISK OF IGNITION OF HAZARDOUS ATMOSPHERES DISCONNECT THE LUMINAIRE FROM SUPPLY CIRCUIT BEFORE OPENING. KEEP TIGHTLY CLOSED WHEN IN OPERATION.

SUITABLE FOR USE IN THE FOLLOWING HAZARDOUS AREAS AS DEFINED BY THE NATIONAL ELECTRIC CODE: CLASS I DIV.2 GROUP A, B, C, D. SUITABLE FOR WET LOCATIONS.

WARNING: FOR 26W UNITS DO NOT EXCEED OPERATING TEMPERATURES OF 160°C (320°F) AND AMBIENT TEMPERATURE OF 55°C (131°F).

WARNING: FOR 42W UNITS DO NOT EXCEED OPERATING TEMPERATURES OF 260°C (500°F) AND AMBIENT TEMPERATURES ABOVE 40°C (104°F).

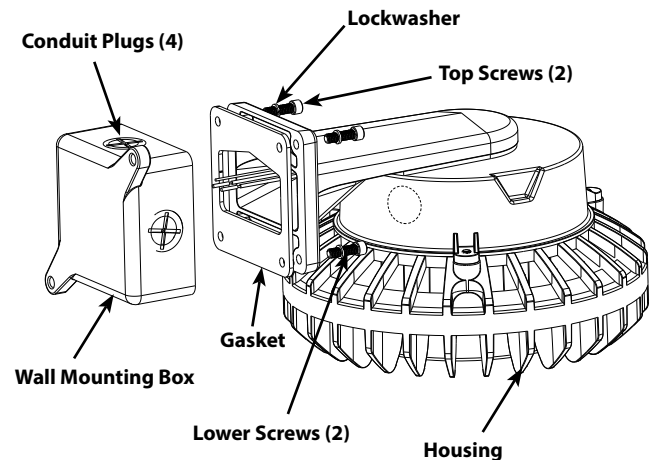
WARNING: USE PROPER SUPPLY WIRING AS SPECIFIED ON THE LUMINAIRE.

MOUNTING TO A WALL

HAZLED is designed for use on walls indoors and outdoors in wet locations, where moisture, dirt, corrosion, vibration, and rough usage may be present.

Mount the fixture to the wall as follows:

1. Secure **Wall Mounting Box** to a sturdy wall. Use appropriate mounting hardware such as bolts and anchors with washers suitable for the mounting surface.
2. Feed supply wires into **Wall Mounting Box**. Check that **Gasket** is fully sealed. Use sealant or Teflon tape on threads.
3. Bring fixture up to the **Wall Mounting Box**. Make wiring connections using UL approved connectors.
5. Place wired fixture over the **Wall Mounting Box** and tighten the **Top Screws (2)** along with the **Lockwashers**.
6. Open **Housing** and tighten the **Lower Screws (2)**.
6. Tighten **Conduit Plugs (4)** and apply Teflon tape or weatherproof silicone sealant to all unused conduit entry points.



HAZLED™ WALL INSTALLATION INSTRUCTIONS



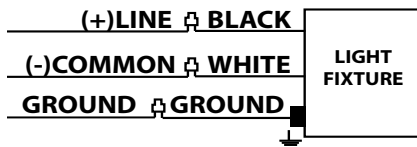
Thank you for buying RAB lighting fixtures. Our goal is to design the best quality products to get the job done right. We'd like to hear your comments. Call the Marketing Department at 888-RAB-1000 or email: marketing@rabweb.com

WIRING

CAUTION: Make sure the supply voltage is the same as the luminaire voltage.

Universal voltage driver permits operation at 120 to 277VAC, 50 or 60Hz.

1. Connect the black fixture lead to the (+) LINE supply lead.
2. Connect the white fixture lead to the (-) COMMON supply lead.
3. Connect the bare copper Ground wire from fixture to supply ground.



CLEANING & MAINTENANCE

CAUTION: Be sure housing and lens temperature are cool enough to touch. Do not clean or maintain while fixture is energized.

1. Clean glass lens with non-abrasive glass cleaning solution.
2. Do not open fixture to clean the LED. Do not touch the LED.
3. All gaskets seals must be clean and undamaged.

TROUBLESHOOTING

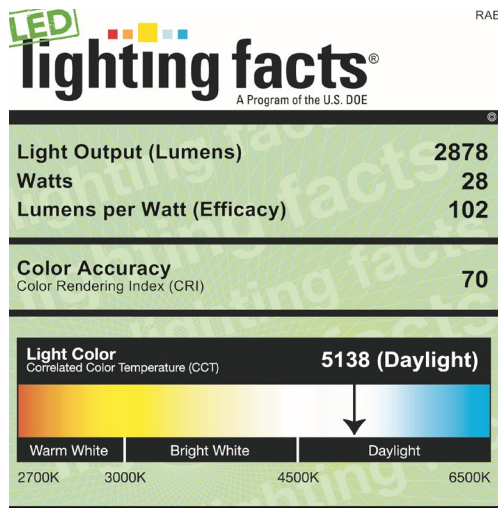
1. Check that the line voltage at fixture is correct. Refer to wiring directions.
2. Be sure fixture is grounded properly.

ACCESSORIES

GUARDS

- with Die Cast Guard.....suffix "-DG"
- with Wire Guard.....suffix "-G"

HAZBLED26 with clear globe

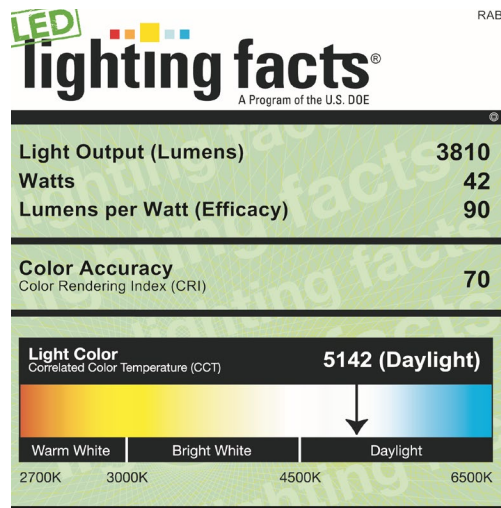


All results are according to IESNA LM-79-2008: Approved Method for the Electrical and Photometric Testing of Solid-State Lighting. The U.S. Department of Energy (DOE) verifies product test data and results.

Visit www.lightingfacts.com for the Label Reference Guide.

Registration Number: WVMA-44F06K (5/20/2014)
Model Number: HAZ*LED26C / HAZ*LED26CF
Type: Luminaire - Industrial

HAZBLED42 with clear globe



All results are according to IESNA LM-79-2008: Approved Method for the Electrical and Photometric Testing of Solid-State Lighting. The U.S. Department of Energy (DOE) verifies product test data and results.

Visit www.lightingfacts.com for the Label Reference Guide.

Registration Number: WVMA-QICVEZ (5/20/2014)
Model Number: HAZ*LED42C / HAZ*LED42CF
Type: Luminaire - Industrial

Note: These instructions do not cover all details or variations in equipment nor do they provide for every possible situation during installation operation or maintenance.



Easy Installation & Product Help

Tech Help Line
Call our experts 888 RAB-1000

rabweb.com
Visit our website for product info

email
Answered promptly sales@rabweb.com