

LED HAZARDOUS Highbay is a Class I, Division 2 LED fixture designed with over 60 years of experience in hazardous location lighting.

Color: Gray

Weight: 26.2 lbs

Project:

Type:

Prepared By:

Date:

### Driver Info

Type	Constant Current
120V	0.82A
208V	0.52A
240V	0.45A
277V	0.4A
Input Watts	90.8W

### LED Info

Watts	78W
Color Temp	3000K (Warm)
Color Accuracy	71 CRI
L70 Lifespan	100,000 Hours
Lumens	11,183 lm
Efficacy	123.2 lm/W

## Technical Specifications

### Hazardous Location Classifications

#### UL 844:

Electric lighting fixtures for use in hazardous (classified) locations

#### UL 1598:

Electric lighting fixtures for use in non-hazardous locations

### Hazardous Location Classifications:

Class I: A hazardous location in which flammable gases or vapors may be present in the air in sufficient quantities to be explosive or ignitable, such as petroleum refineries, aircraft hangars, dry cleaning plants, utility gas plants or storage areas for liquified petroleum or natural gas, and spray finishing areas.

Division 2: Abnormal condition, where ignitable concentrations of flammable gases, vapors or liquids are not like to exist under normal operating conditions, for example:

Closed storage drums containing flammable liquids in an inside storage room would not normally allow the hazardous vapors to escape into the atmosphere. But if one of the containers is leaking, you've got an abnormal condition.

Groups A - D: The gases and vapors of Class 1 locations are broken into four groups by the Code: A, B, C, and D. These materials are grouped according to the ignition temperature of the substance, its explosion pressure, and other flammable characteristics.

Group A - The only substance in group A is acetylene because it is a gas with extremely high explosion pressures.

Group B - This group includes hydrogen and other materials with similar characteristics.

Group C & D - The most usual Class 1 groups. They

### T Ratings:

HAZBAYLED™ model is T3A rated

### Compliance

#### UL Listed:

Suitable for wet locations with 3/4" pendant stem  
Covered ceiling mount only

### LED Characteristics

#### LEDs:

Three multi-chip, 26W high-output, long-life LEDs

#### Color Consistency:

3-step MacAdam Ellipse binning to achieve consistent fixture-to-fixture color

#### Color Stability:

LED color temperature is warranted to shift no more than 200K in color temperature over a 5-year period

#### Color Uniformity:

RAB's range of Correlated Color Temperature follows the guidelines of the American National Standard for Specifications for the Chromaticity of Solid State Lighting (SSL) Products, ANSI C78.377.2011.

### Performance

#### Lifespan:

100,000-Hour LED lifespan based on IES LM-80 results and TM-21 calculations

comprise the greatest percentage of all Class I hazardous locations. Found in Group C is ethylene. Found in Group D are many of the most common flammable substances such as butane, gasoline, natural gas and propane.

## Technical Specifications (continued)

**Wattage Equivalency:**

Equivalent to 4 lamp T8 fixtures

**Construction****Ambient Temperature:**

Suitable for use in up to 40°C (104°F).

Suitable for use in up to 55°C (131°F).

**Thermal Management:**

Superior thermal management with external air-flow fins

**Housing:**

Precision die-cast aluminum housing and door frame

**Mounting:**

Pendant mount only with 3/4" NPS pipe (pendant by others)

**Recommended Mounting Height:**

25 ft

**Lens:**

Tempered glass

**Reflector:**

Specular vacuum metallized polycarbonate

**Gaskets:**

High-temperature silicone

**Finish:**

Formulated for high durability and long-lasting color

**Green Technology:**

Mercury and UV free. RoHS-compliant components.

**Other****Patents:**

The design of the BAYLED™ is protected by patents pending in US, Canada, China, Taiwan and Mexico

**Accessories:**

Available accessories include protective polyshield and wire guards, replacement lens and doorframe, and an occupancy sensor. [Click here to see all accessories.](#)

**Warranty:**

RAB warrants that our LED products will be free from defects in materials and workmanship for a period of five (5) years from the date of delivery to the end user, including coverage of light output, color stability, driver performance and fixture finish. RAB's warranty is subject to all terms and conditions found at [rablighting.com/warranty](http://rablighting.com/warranty).

**Buy American Act Compliance:**

RAB values USA manufacturing! Upon request, RAB may be able to manufacture this product to be compliant with the Buy American Act (BAA). Please contact customer service to request a quote for the product to be made BAA compliant.

**Electrical****THD:**

11.83% at 120V, 9.66% at 277V

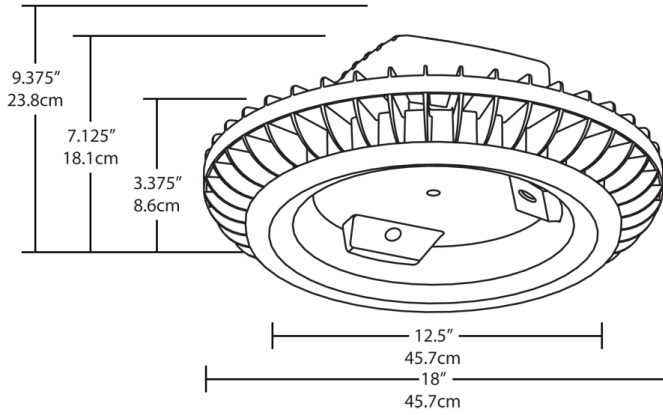
**Power Factor:**

99.1% at 120V, 93.5% at 277V

**Drivers (3):**

Constant Current, 720mA, Class 2 with 6kV surge protection, 100-277VAC, 50/60 Hz

## Dimensions



## Features

- Class 1, Division 2, Groups A, B, C, D
- IP66, UL1958, UL8750 and UL 844 ratings
- Resistant to shock and vibration
- Rugged construction ensures long-life and safe operation
- 100,000-Hour LED lifespan
- 5-Year, no-compromise warranty

## Ordering Matrix

Family	Wattage	Color Temp	Finish	Options
HAZBAYLED	78	Y		
	78 = 78W 104 = 104W	Blank = 5000K Cool N = 4000K Neutral Y = 3000K Warm	Blank = Gray W = White	Blank = No Option /BL = Bi-Level /D10 = 0-10V Dimming