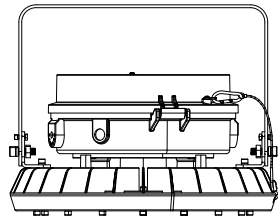


# INSTRUCTIONS

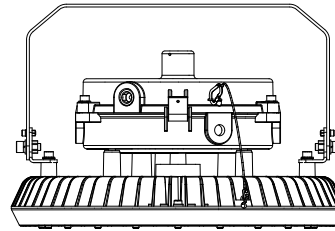
## HAZBAY Series INSTALLATION



RAB Lighting is committed to creating high-quality, affordable, well-designed and energy-efficient LED lighting and controls that make it easy for electricians to install and end users to save energy. We'd love to hear your comments. Please call the Marketing Department at 888-RAB- 1000 or email: [marketing@rablighting.com](mailto:marketing@rablighting.com)



M (100W, 150W, 200W)



L (300W)

### IMPORTANT

**READ CAREFULLY BEFORE INSTALLING FIXTURE. RETAIN THESE INSTRUCTIONS FOR FUTURE REFERENCE.**

RAB fixtures must be wired in accordance with the National Electrical Code and all applicable local codes. Proper grounding is required for safety. THIS PRODUCT MUST BE INSTALLED IN ACCORDANCE WITH THE APPLICABLE INSTALLATION CODE BY A PERSON FAMILIAR WITH THE CONSTRUCTION AND OPERATION OF THE PRODUCT AND THE HAZARDS INVOLVED.

**WARNING:** Make certain power is OFF before installing or maintaining fixture. No user serviceable parts inside.

**CAUTION:** TO REDUCE THE RISK OF IGNITION OF HAZARDOUS ATMOSPHERES, DISCONNECT THE LUMINAIRE FROM SUPPLY CIRCUIT BEFORE OPENING. KEEP TIGHTLY CLOSED WHEN IN OPERATION.

CLASS I DIV. 2 GROUP A, B, C, D.

## Installation Instructions

### YOKE MOUNTING

1. Use appropriate mounting hardware (by others). Mark the Mounting Surface for mounting hardware locations. Recommended Surface Mounting Bracket distance: 6.49inch (165mm) for Model M (Fig.1), 5.51-8.27inch (140-210mm) for Model L (Fig.2).
2. Secure the Fixture to Mounting Surface.
3. Use appropriate conduit and fittings to make electrical splices. Follow appropriate mounting and wiring instructions, see wiring diagram Fig.7 and Fig.8.
4. Installation completed (Fig.3).

Fig.1

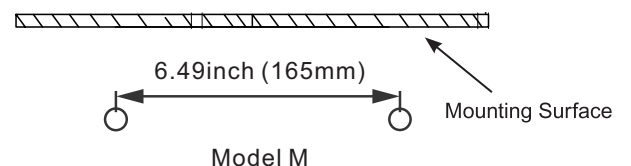


Fig.2

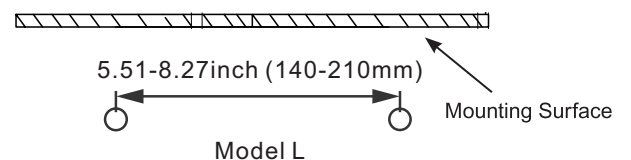
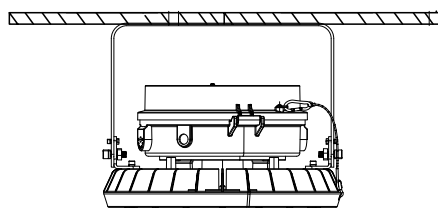
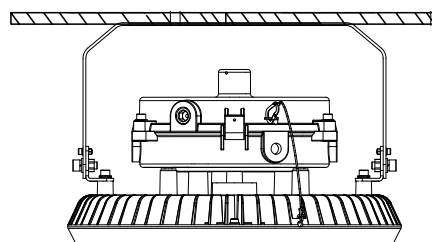


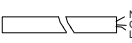
Fig.3



Model M



Model L

  
NPT 3/4 INCH  
per foot (62.5 mm/m)

# INSTRUCTIONS

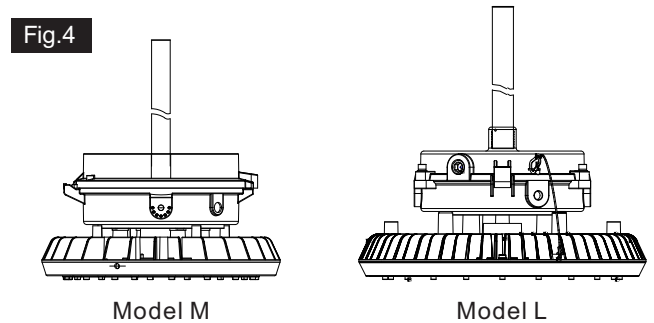
## HAZBAY Series INSTALLATION



RAB Lighting is committed to creating high-quality, affordable, well-designed and energy-efficient LED lighting and controls that make it easy for electricians to install and end users to save energy. We'd love to hear your comments. Please call the Marketing Department at 888-RAB- 1000 or email: marketing@rablighting.com

### PENDANT MOUNTING

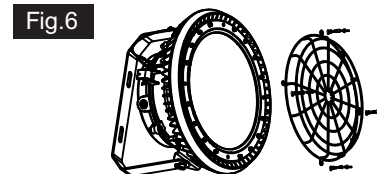
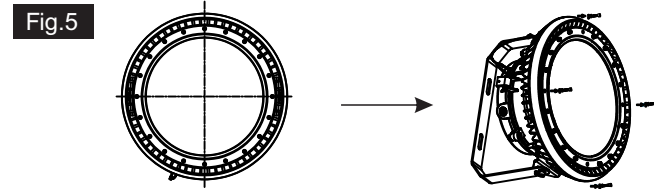
1. Remove the Yoke kit from driver box.
2. Use appropriate mounting hardware (*by others*) to fix the lamp hoisting pipe to the installation site.
3. Secure the Fixture on the Mounting Pipe, use appropriate thread sealer on pendant rod or fittings, tighten the threads (at least 3 full threads are required), torque is 525 N.m.
4. Use appropriate conduit and fittings to make electrical splices. Follow appropriate mounting and wiring instructions, see wiring diagram Fig.7 and Fig.8.
5. Installation completed (Fig.4).



### WIRE GUARD INSTALLATION

**Wire Guard is sold separately model # HAZBAYLED-WG1, HAZBAYLED-WG2.**

1. Determine the fixed position of the wire guard on the lamp, then use an allen key to remove the pre-existing four screws at the corresponding position (Fig.5).
2. Secure the wire guard in the installation position and replace it with the four M5\*18mm screws provided using an allen key, with a torque of 18±2kgf.cm. Be sure to tighten the diagonal screws first. Finally, fix the wire guard onto the lamp (Fig.6).



### WIRING INSTRUCTION

Please follow the below steps and refer to Fig.7 and Fig.8 to perform wiring to branch circuit.

1. Ensure all the power is turned off.
2. Open the junction box of the luminaire.
3. Install 3/4" trade size conduit to 3/4" NPT adapter on the luminaire. Please use rigid metal conduit only.
4. According to the marking on terminal block, connect the L, N, G from branch to the slots of terminal block for Model M, connect the L, N, PE from branch to the slots of terminal block for Model L.
5. Close the power connecting cavity.

Fig.7  
Model M

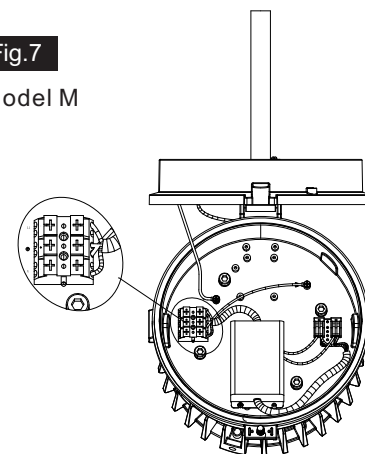
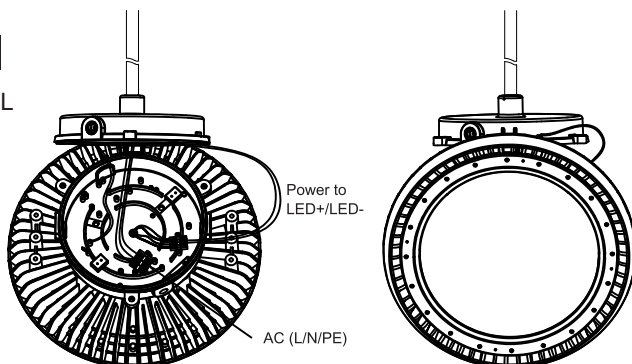


Fig.8

Model L



# INSTRUCTIONS

## HAZBAY Series INSTALLATION



RAB Lighting is committed to creating high-quality, affordable, well-designed and energy-efficient LED lighting and controls that make it easy for electricians to install and end users to save energy. We'd love to hear your comments. Please call the Marketing Department at 888-RAB- 1000 or email: [marketing@rablighting.com](mailto:marketing@rablighting.com)

### MAGNETICALLY CONTROLLED SWITCH

1. The Magnetically Controlled Test Switch is designed to test emergency function. When testing is not required, the magnet is adsorbed on the fixed position (see the component to adsorb magnet in Fig.9).
2. A label (see Fig.10) stuck on the surface of the lamp body identifies the position of the Magnetic switch.

Fig.9

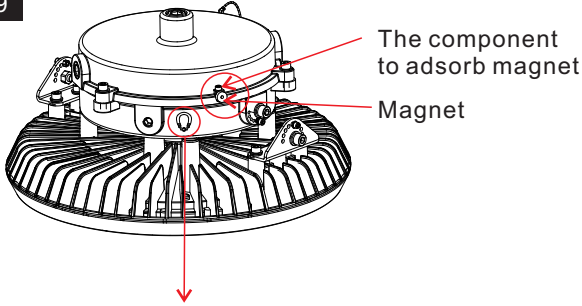
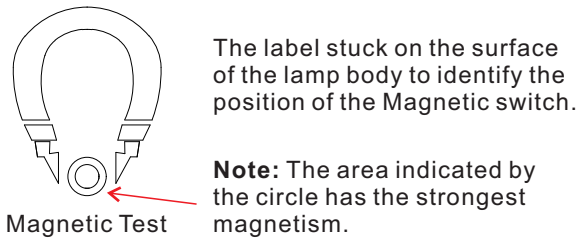


Fig.10



#### Note:

1. The magnet should be moved horizontally (the light will not work if the magnet is moved vertically).
2. When the magnet leaves the magnetic switch position, the distance should be kept more than 10 centimeters. Meanwhile maintain a fast speed with a 1-second interval between each movement.

#### Function Table of Magnetically Controlled Test Switch

Function	Operation
Emergency Function Test	In AC mains mode, when the magnet approaches/leaves magnetic switch position, the product will change between AC mains mode and emergency mode. When the magnet is close to the magnetic switch position, the product will enter emergency mode from mains mode. When the magnet leaves the magnetic switch position, the product will return to AC mains mode from emergency mode.
Turn off Emergency Output	Disconnect the AC mains power and operate the product in emergency mode three times with the magnet close to and away from the magnetic switch position: exit emergency mode and turn off emergency output.
Monthly Test	In AC mains mode with full charge, manually enter the monthly test mode—magnet approaches and leaves the magnetic switch position 5 times. When entering the monthly test mode, the green indicator flashes at a frequency of 0.5 seconds per time for 5 times. After entering the monthly test mode, the green indicator flashes at a frequency of 1 second per time. The monthly test mode lasts for 30 seconds to check whether the emergency function is normal.
Annual Test	In AC mains mode with full charge, manually enter the annual test mode—magnet approaches and leaves the magnetic switch position 7 times. When entering the annual test mode, the green indicator flashes at a frequency of 0.5 seconds per time for 7 times. After entering the annual test mode, the green indicator flashes at a frequency of 1 second per time. The annual test mode lasts for 90 minutes to check whether the emergency discharge duration meets the standard (US version 90 Min).

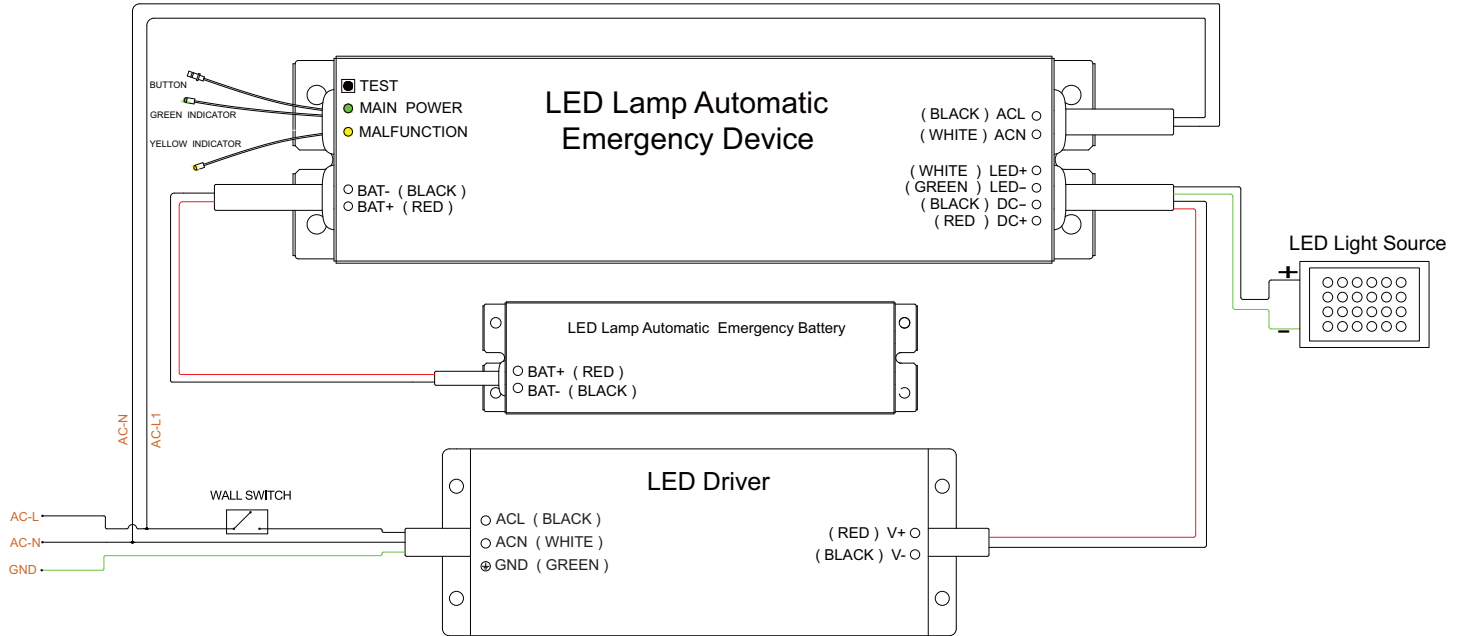
# INSTRUCTIONS

## HAZBAY Series INSTALLATION



RAB Lighting is committed to creating high-quality, affordable, well-designed and energy-efficient LED lighting and controls that make it easy for electricians to install and end users to save energy. We'd love to hear your comments. Please call the Marketing Department at 888-RAB- 1000 or email: [marketing@rablighting.com](mailto:marketing@rablighting.com)

### EMERGENCY WIRING



### CLEANING & MAINTENANCE

**CAUTION:** Be sure fixture temperature is cool enough to touch. Do not clean or maintain while fixture is energized.

1. Clean polycarbonate lens with non-abrasive glass cleaning solution.
2. Do not open the fixture to clean the LED. Do not touch the LED.

### TROUBLESHOOTING

1. Check that the line voltage at the fixture is correct. Refer to wiring directions.
2. Is the fixture grounded properly?

Note: These instructions do not cover all details or variations in equipment nor do they provide for every possible situation during installation, operation or maintenance.



#### Easy Answers

© 2023 RAB LIGHTING Inc.

[rablighting.com](http://rablighting.com)  
Visit our website for product info

Tech Help Line  
Call our experts: 888 722-1000

e-mail  
Answered promptly - [sales@rablighting.com](mailto:sales@rablighting.com)

Free Lighting Layouts  
Answered online or by request

RAB WARRANTY: RAB's warranty is subject to all terms and conditions found at [rablighting.com/warranty](http://rablighting.com/warranty).