



comprise the greatest percentage of all Class I hazardous locations. Found in Group C is ethylene. Found in Group D are many of the most common flammable substances such as butane, gasoline, natural gas and propane.

## Technical Specifications (continued)

### Construction

---

#### Ambient Temperature:

Suitable for use in up to 40°C (104°F).

Suitable for use in up to 55°C (131°F).

#### Thermal Management:

Superior heat sinking with external Air-Flow fins

#### Housing:

Precision die-cast aluminum housing and door frame with 3-foot 600V power cord

#### Mounting:

Pendant mount only with 3/4" NPT pipe

#### Recommended Mounting Height:

30 ft

#### Lens:

Tempered glass

#### Reflector:

Specular vacuum metallized polycarbonate

#### Gaskets:

High-temperature silicone

#### Finish:

Our environmentally friendly polyester powder coatings are formulated for high-durability and long-lasting color

#### Green Technology:

Mercury and UV free. RoHS-compliant components.

### Other

---

#### Warranty:

RAB warrants that our LED products will be free from defects in materials and workmanship for a period of five (5) years from the date of delivery to the end user, including coverage of light output, color stability, driver performance and fixture finish. RAB's warranty is subject to all terms and conditions found at [rablighting.com/warranty](http://rablighting.com/warranty).

#### Buy American Act Compliance:

RAB values USA manufacturing! Upon request, RAB may be able to manufacture this product to be compliant with the Buy American Act (BAA). Please contact customer service to request a quote for the product to be made BAA compliant.

### Electrical

---

#### Drivers:

Constant Current, 800mA, Class 2 with 6 kV surge protection, 100-277VAC, 50/60 Hz

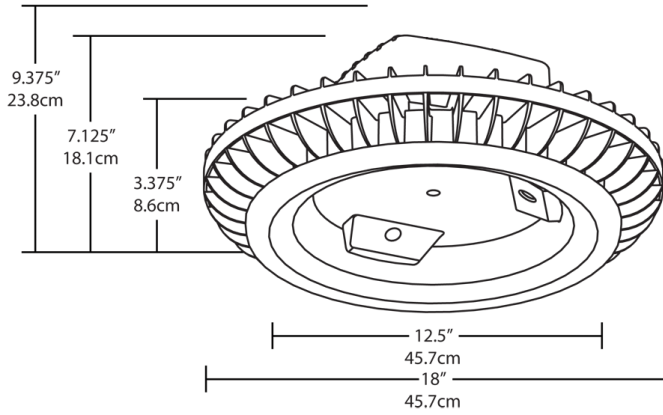
#### THD:

8.21% at 120V, 9.75% at 277V

#### Power Factor:

99.5% at 120V, 93.8% at 277V

## Dimensions



## Features

- Class 1, Division 2, Groups A, B, C, D
- IP66, UL1958, UL8750 and UL 844 ratings
- Resistant to shock and vibration
- Rugged construction ensures long-life and safe operation
- 100,000-Hour LED lifespan
- 5-Year, no-compromise warranty

## Ordering Matrix

Family	Wattage	Color Temp	Finish	Options
HAZBAYLED	104	N	W	
	78 = 78W 104 = 104W	Blank = 5000K Cool N = 4000K Neutral Y = 3000K Warm	Blank = Gray W = White	Blank = No Option /BL = Bi-Level /D10 = 0-10V Dimming