



Haybay's modular design creates a world of flexibility by keeping your base price low and letting you choose specific options like reflectors, motion sensors and emergency batteries separately.

Color: White

Weight: 25.1 lbs

Project:	Type:
Prepared By:	Date:

Driver Info		LED Info	
Type	Constant Current	Watts	180W
120V	1.50A	Color Temp	4000K (Neutral)
208V	0.87A	Color Accuracy	74 CRI
240V	0.75A	L70 Lifespan	100,000 Hours
277V	0.65A	Lumens	27,146 lm
Input Watts	179.4W	Efficacy	151.3 lm/W

Technical Specifications

Compliance

UL Listed:

Suitable for damp locations

Construction

Vibration Rating:

Industry-leading 5G vibration rating per ANSI C136.31

Cold Weather Starting:

The minimum starting temperature is -40°C (-40°F)

Ambient Temperature:

Suitable for use in up to 40°C (104°F)

Housing:

Precision die-cast aluminum with sheet metal driver bracket/mounting

Mounting:

Heavy-duty 3/4" NPS hook and 6 ft cord; is also 3/4" pendant mount capable (pendant by others).

Finish:

Our environmentally friendly polyester powder coatings are formulated for high-durability and long-lasting color

Green Technology:

Mercury and UV free. RoHS-compliant components.

Electrical

Drivers:

Class 1, programmable, constant current, 50/60 Hz, 120-277V, 120V: 1.50A, 208V: 0.87A, 240V: 0.75A, 277V: 0.65A

Power Factor:

99.9% at 120V, 96% at 277V

Battery Backup:

Battery backup will operate the LED Lamp for 90 minutes if power fails. Wired for 120V-277V.

Battery Backup Light Loss Factor:

0.16

Surge Protection:

4kV

LED Characteristics

LEDs:

Long-life, high-efficiency, surface-mount LEDs

Color Uniformity:

RAB's range of Correlated Color Temperature follows the guidelines of the American National Standard for (SSL) Products, ANSI C78.377-2017.

Performance

Lifespan:

100,000-Hour LED lifespan based on IES LM-80 results and TM-21 calculations

Other

Reflector Options:

Clear prismatic acrylic reflectors available in 11" or 8.5" height; frosted prismatic acrylic reflectors available in 11" or 8.5" height; white aluminum reflector available in 5" height. Click [here](#) to see all reflectors.

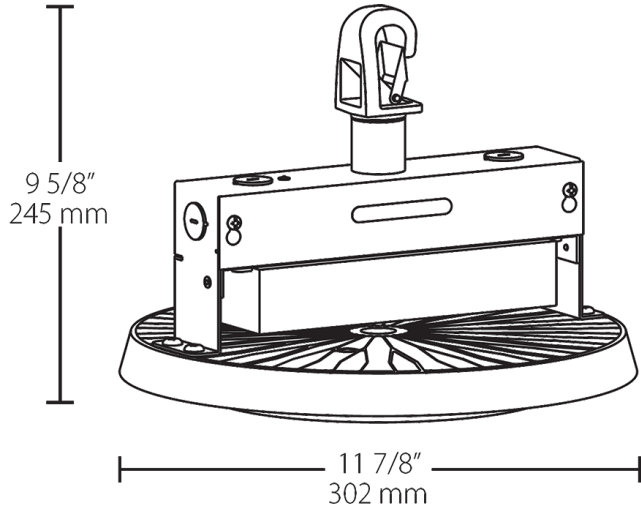
5 Yr Limited Warranty:

The RAB 5-year, limited warranty covers light output, driver performance and paint finish. RAB's warranty is subject to all terms and conditions found at rablighting.com/warranty.

Buy American Act Compliance:

RAB values USA manufacturing! Upon request, RAB may be able to manufacture this product to be compliant with the Buy American Act (BAA). Please contact customer service to request a quote for the product to be made BAA compliant.

Dimensions



Features

- Simple. Affordable, Modular design.
- Open "airflow" design reduces operating temperatures and increases lifespan
- Assortment of reflectors tailor the Haybay to specific applications
- Available with a Lightcloud Controller, Lightcloud Sensor and other compatible RAB sensors

Ordering Matrix

Family	Wattage	Color Temp	Driver	Sensor Options	Options
HAYBAY	180	N	/D10		/E2
	100 = 100W 130 = 130W 150 = 150W 180 = 180W	Blank = 5000K N = 4000K	/D10 = 0-10V Dimming Standard	Blank = No Sensor /LOS = LOSBAY 800 Sensor - base fixture only /LOSR = LOSBAY 800 Sensor - required for reflector /LC = Lightcloud® Controller /LCS = Lightcloud® Sensor - base fixture only /LCSR = Lightcloud® Sensor - required for reflector	Blank = No Battery Backup /E2 = Emergency Backup, 120-277V