



Haybay's modular design creates a world of flexibility by keeping your base price low and letting you choose specific options like reflectors, motion sensors and emergency batteries separately.

Color: White

Weight: 13.1 lbs

<b>Project:</b>	<b>Type:</b>
<b>Prepared By:</b>	<b>Date:</b>

Driver Info		LED Info	
Type	Constant Current	Watts	180W
120V	1.50A	Color Temp	5000K (Cool)
208V	0.87A	Color Accuracy	72 CRI
240V	0.75A	L70 Lifespan	100,000 Hours
277V	0.65A	Lumens	27,051 lm
Input Watts	180.2W	Efficacy	150.1 lm/W

## Technical Specifications

### Lightcloud

#### Lightcloud Sensor Installed:

Occupancy, vacancy, and closed loop daylight harvesting in one versatile sensor. In addition control any fixture in your Lightcloud integrated/embedded networked lighting luminaire-level control system. LLLC - capable of switching, 0-10Vdimming, power/energy monitoring. Can also be used to extend the range of the Lightcloud mesh network communication protocols. "/LCSR" for use when reflector accessory is used.

DLC system - N1XMLOEATBA

### Compliance

#### UL Listed:

Suitable for damp locations

### Construction

#### Vibration Rating:

Industry-leading 5G vibration rating per ANSI C136.31

### LED Characteristics

#### LEDs:

Long-life, high-efficiency, surface-mount LEDs

### Other

#### 5 Yr Limited Warranty:

The RAB 5-year, limited warranty covers light output, driver performance and paint finish. RAB's warranty is subject to all terms and conditions found at [rablighting.com/warranty](http://rablighting.com/warranty).

#### Buy American Act Compliance:

RAB values USA manufacturing! Upon request, RAB may be able to manufacture this product to be compliant with the Buy American Act (BAA). Please contact customer service to request a quote for the product to be made BAA compliant.

### Electrical

#### Drivers:

Class 1, programmable, constant current, 50/60 Hz., 120-277V, 120V: 1.50A, 208V: 0.87A, 240V: 0.75A, 277V: 0.65A

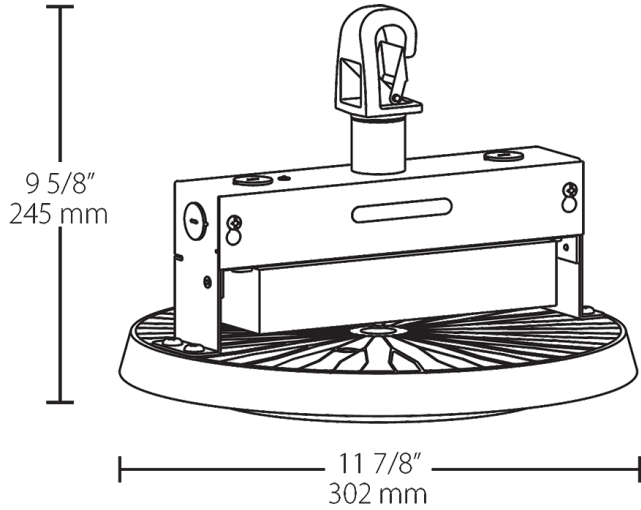
#### THD:

3.45% at 120V, 7.38% at 277V

#### Power Factor:

99.9% at 120V, 96% at 277V

## Dimensions



## Features

- Simple. Affordable, Modular design.
- Open "airflow" design reduces operating temperatures and increases lifespan
- Assortment of reflectors tailor the Haybay to specific applications
- Available with a Lightcloud Controller, Lightcloud Sensor and other compatible RAB sensors

## Ordering Matrix

Family	Wattage	Color Temp	Driver	Sensor Options	Options
HAYBAY	180		/D10	/LCSR	
	100 = 100W 130 = 130W 150 = 150W 180 = 180W	Blank = 5000K N = 4000K	/D10 = 0-10V Dimming (standard)	Blank = No Sensor /LOS = LOSBAY 800 Sensor (base fixture only) /LOS = LOSBAY 800 Sensor (required for reflector) /LC = Lightcloud® Controller /LCS = Lightcloud® Sensor (base fixture only) /LCSR = Lightcloud® Sensor (required for reflector)	Blank = No Battery Backup /E2 = Emergency Backup, 120-277V