



Haybay's modular design creates a world of flexibility by keeping your base price low and letting you choose specific options like reflectors, motion sensors and emergency batteries separately.

Color: White

Weight: 14.4 lbs

<b>Project:</b>	<b>Type:</b>
<b>Prepared By:</b>	<b>Date:</b>

Driver Info		LED Info	
Type	Constant Current	Watts	150W
120V	1.25A	Color Temp	5000K (Cool)
208V	0.73A	Color Accuracy	72 CRI
240V	0.63A	L70 Lifespan	100,000 Hours
277V	0.55A	Lumens	23,195 lm
Input Watts	156.1W	Efficacy	148.6 lm/W

## Technical Specifications

### Compliance

#### UL Listed:

Suitable for damp locations

### Construction

#### Vibration Rating:

Industry-leading 5G vibration rating per ANSI C136.31

#### Cold Weather Starting:

The minimum starting temperature is -40°C (-40°F)

#### Ambient Temperature:

Suitable for use in up to 40°C (104°F)

### Housing:

Precision die-cast aluminum with sheet metal driver bracket/mounting

### Mounting:

Heavy-duty 3/4" NPS hook and 6 ft cord; is also 3/4" pendant mount capable (pendant by others).

### Finish:

Our environmentally friendly polyester powder coatings are formulated for high-durability and long-lasting color

### Green Technology:

Mercury and UV free. RoHS-compliant components.

### LED Characteristics

#### LEDs:

Long-life, high-efficiency, surface-mount LEDs

#### Color Uniformity:

RAB's range of Correlated Color Temperature follows the guidelines of the American National Standard for (SSL) Products, ANSI C78.377-2017.

### Performance

#### Lifespan:

100,000-Hour LED lifespan based on IES LM-80 results and TM-21 calculations

### Electrical

#### Drivers:

Class 1, programmable, constant current, 50/60 Hz, 120-277V, 120V: 1.25A, 208V: 0.73A, 240V: 0.63A, 277V: 0.55A

#### Surge Protection:

4kV

### Other

#### Reflector Options:

Clear prismatic acrylic reflectors available in 11" or 8.5" height; frosted prismatic acrylic reflectors available in 11" or 8.5" height; white aluminum reflector available in 5" height. Click [here](#) to see all reflectors.

### LOS BAY800 Sensor:

Occupancy/Motion Sensor. Sensors can automatically affect the operation of lighting equipment based upon detecting the presence of people in a space. "/>

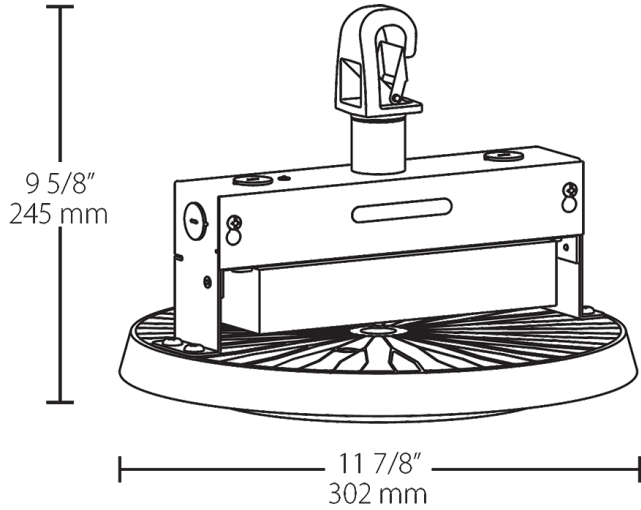
### 5 Yr Limited Warranty:

The RAB 5-year, limited warranty covers light output, driver performance and paint finish. RAB's warranty is subject to all terms and conditions found at [rablighting.com/warranty](http://rablighting.com/warranty).

### Buy American Act Compliance:

RAB values USA manufacturing! Upon request, RAB may be able to manufacture this product to be compliant with the Buy American Act (BAA). Please contact customer service to request a quote for the product to be made BAA compliant.

## Dimensions



## Features

- Simple. Affordable, Modular design.
- Open "airflow" design reduces operating temperatures and increases lifespan
- Assortment of reflectors tailor the Haybay to specific applications
- Available with a Lightcloud Controller, Lightcloud Sensor and other compatible RAB sensors

## Ordering Matrix

Family	Wattage	Color Temp	Driver	Sensor Options	Options
HAYBAY	150		/D10	/LOSR	
	<b>100</b> = 100W <b>130</b> = 130W <b>150</b> = 150W <b>180</b> = 180W	<b>Blank</b> = 5000K <b>N</b> = 4000K	<b>/D10</b> = 0-10V Dimming Standard	<b>Blank</b> = No Sensor <b>/LOS</b> = LOSBAY 800 Sensor - base fixture only <b>/LOSR</b> = LOSBAY 800 Sensor - required for reflector <b>/LC</b> = Lightcloud® Controller <b>/LCS</b> = Lightcloud® Sensor - base fixture only <b>/LCSR</b> = Lightcloud® Sensor - required for reflector	<b>Blank</b> = No Battery Backup <b>/E2</b> = Emergency Backup, 120-277V