



Project:	Type:
Prepared By:	Date:

Driver Info		LED Info	
Type	Constant Current	Watts	150W
120V	1.25A	Color Temp	5000K (Cool)
208V	0.73A	Color Accuracy	72 CRI
240V	0.63A	L70 Lifespan	100,000 Hours
277V	0.55A	Lumens	23,195 lm
Input Watts	156.1W	Efficacy	148.6 lm/W

Technical Specifications

Lightcloud

Lightcloud Sensor Installed:

Occupancy, vacancy, and closed loop daylight harvesting in one versatile sensor. In addition control any fixture in your Lightcloud integrated/embedded networked lighting luminaire-level control system. LLLC - capable of switching, 0-10V dimming, power/energy monitoring. Can also be used to extend the range of the Lightcloud mesh network communication protocols.

DLC system - N1XMLOEATBA
[Learn more about Lightcloud.](#)

Compliance

UL Listed:

Suitable for damp locations

Construction

Vibration Rating:

Industry-leading 5G vibration rating per ANSI C136.31

LED Characteristics

LEDs:

Long-life, high-efficiency, surface-mount LEDs

Other

5 Yr Limited Warranty:

The RAB 5-year, limited warranty covers light output, driver performance and paint finish. RAB's warranty is subject to all terms and conditions found at rablighting.com/warranty.

Buy American Act Compliance:

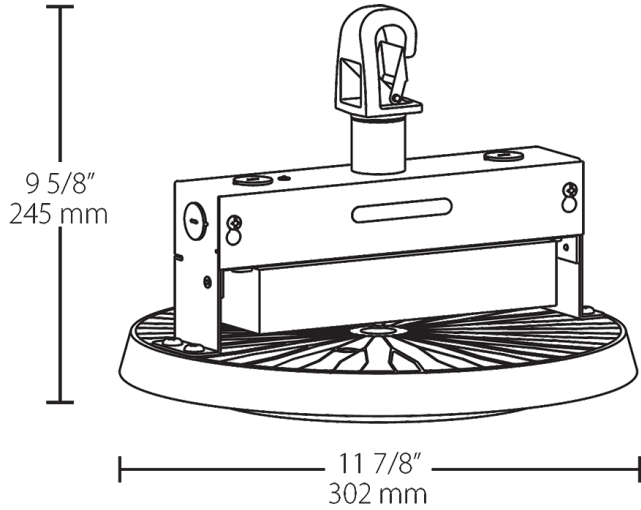
RAB values USA manufacturing! Upon request, RAB may be able to manufacture this product to be compliant with the Buy American Act (BAA). Please contact customer service to request a quote for the product to be made BAA compliant.

Electrical

Drivers:

Class 1, programmable, constant current, 50/60 Hz., 120-277V, 120V: 1.25A, 208V: 0.73A, 240V: 0.63A, 277V: 0.55A

Dimensions



Features

- Simple. Affordable, Modular design.
- Open "airflow" design reduces operating temperatures and increases lifespan
- Assortment of reflectors tailor the Haybay to specific applications
- Available with a Lightcloud Controller, Lightcloud Sensor and other compatible RAB sensors

Ordering Matrix

Family	Wattage	Color Temp	Driver	Sensor Options	Options
HAYBAY	150		/D10	/LCS	
	100 = 100W 130 = 130W 150 = 150W 180 = 180W	Blank = 5000K N = 4000K	/D10 = 0-10V Dimming (standard)	Blank = No Sensor /LOS = LOSBAY 800 Sensor (base fixture only) /LOS R = LOSBAY 800 Sensor (required for reflector) /LC = Lightcloud® Controller /LCS = Lightcloud® Sensor (base fixture only) /LCSR = Lightcloud® Sensor (required for reflector)	Blank = No Battery Backup /E2 = Emergency Backup, 120-277V