

# INSTRUCTIONS

## HAYBAY® INSTALLATION

# RAB®

RAB Lighting is committed to creating high-quality, affordable, well-designed and energy-efficient LED lighting and controls that make it easy for electricians to install and end users to save energy. We'd love to hear your comments. Please call the Marketing Department at 888-RAB-1000 or email: [marketing@rablighting.com](mailto:marketing@rablighting.com)



HAYBAY

### IMPORTANT

#### **READ CAREFULLY BEFORE INSTALLING FIXTURE. RETAIN THESE INSTRUCTIONS FOR FUTURE REFERENCE.**

RAB fixtures must be wired in accordance with the National Electrical Code and all applicable local codes. Proper grounding is required for safety. THIS PRODUCT MUST BE INSTALLED IN ACCORDANCE WITH THE APPLICABLE INSTALLATION CODE BY A PERSON FAMILIAR WITH THE CONSTRUCTION AND OPERATION OF THE PRODUCT AND THE HAZARDS INVOLVED.

**WARNING: Make certain power is OFF before installing or maintaining fixture. No user serviceable parts inside.**

**WARNING: To prevent wiring damage or abrasion, do not expose wiring to edges of sharp objects.**

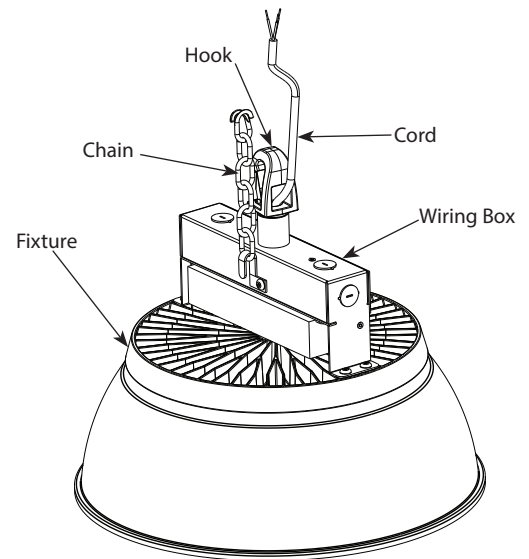
### FIXTURE MOUNTING

#### For Hook Mounting (Fig 1):

**CAUTION:** SUITABLE FOR DAMP LOCATION OR INDOOR APPLICATIONS WITH HOOK & CORD.

1. Open **Wiring Box** to gain access to wiring connections.
2. Slide **Cord** through the **Hook**.
3. Mount **Fixture** with **Hook** to a sturdy ceiling structure.
4. Use **Chain** (supplied by others) for supplemental support while installing the fixture.
5. Connect **Cord** to supply wires inside a junction box using approved wire connectors.

Fig: 1

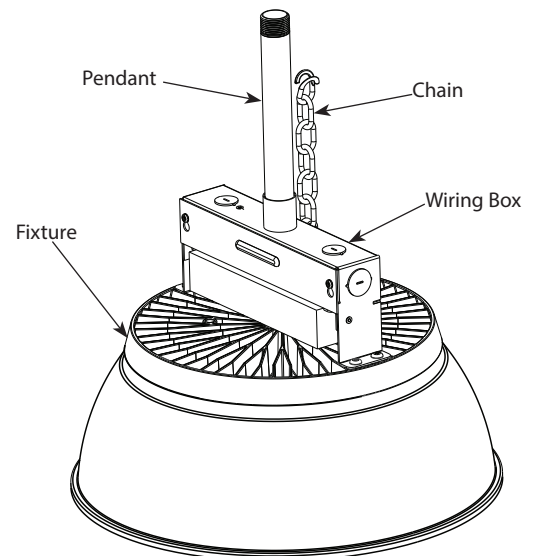


#### For Pendant Mounting (Fig 2):

**CAUTION:** SUITABLE FOR DAMP LOCATION OR INDOOR APPLICATIONS WITH PENDANT STEM (3/4" NPS Pendant Stem (supplied by others)

1. Feed **Cord** through **Pendant** stem. **Cord** may be replaced if more length is required.
2. Connect supply wires to fixture wires inside a junction box using approved wire connectors.
3. Use **Chain** (supplied by others) for supplemental support of **Fixture**.

Fig: 2



# INSTRUCTIONS

## HAYBAY® INSTALLATION

# RAB®

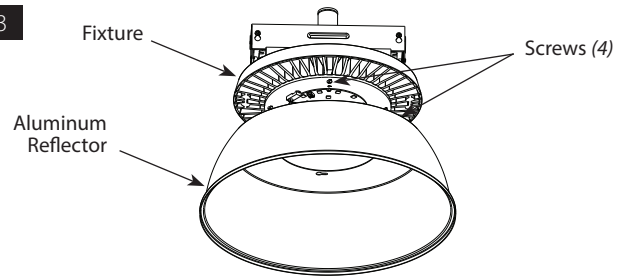
RAB Lighting is committed to creating high-quality, affordable, well-designed and energy-efficient LED lighting and controls that make it easy for electricians to install and end users to save energy. We'd love to hear your comments. Please call the Marketing Department at 888-RAB-1000 or email: [marketing@rablighting.com](mailto:marketing@rablighting.com)

### ALUMINUM REFLECTOR MOUNTING

Mounts directly to **Fixture Housing** with (4) 8-32 x ¼ Phillips screws (*supplied with housing*).

1. Align and place **Screws** through clearance holes on **Reflector** as shown (*Fig 3*), see Position 1 as shown in *Fig. 4*.
2. Turn **Reflector** clockwise to lock in place.
3. Tighten **Screws** to secure **Reflector**.

Fig: 3



### TALL OR SHORT PRISMATIC REFRACTOR & COLLAR MOUNTING

(*Collar required for tall prismatic refractor*).

1. Move **Screw** from **Position 1** (*for aluminum reflector*) to **Position 2** (*for prismatic refractor*) as shown (*Fig 4*).
2. Insert **Collar** inside **Prismatic Refractor** as shown in *Fig 5*. Place screw head through clearance hole in collar.
3. Turn collar clockwise to lock in place.
4. Tighten **Screws** on **Collar** to secure.

Fig: 4

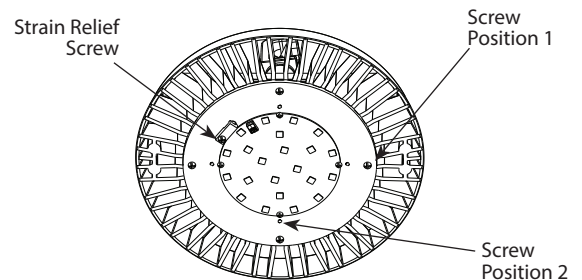
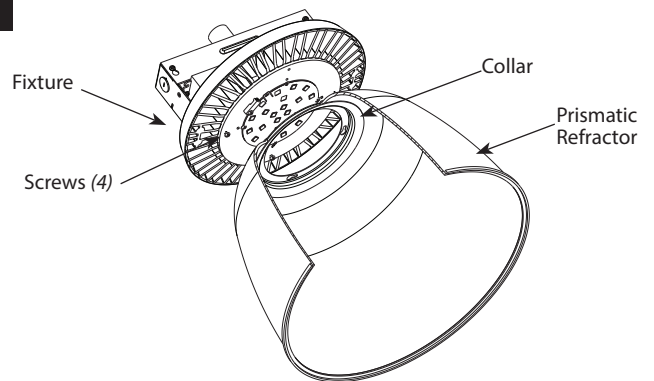


Fig: 5

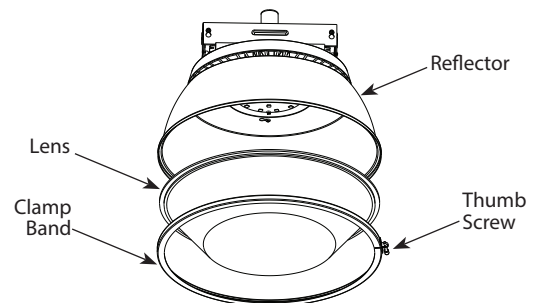


### ACCESSORIES

**Lens Mounting** (*Clamp Band needed for lens mounting*).

1. Loosen **Thumb Screw** on **Clamp Band** as shown in *Fig 6*.
2. Mount lens onto **Reflector** (*or refractor*).
3. Orient **Clamp Band** so wide edge faces down, then place over **Lens** and **Reflector**.
4. Tighten **Thumb Screw** until assembly is secure.

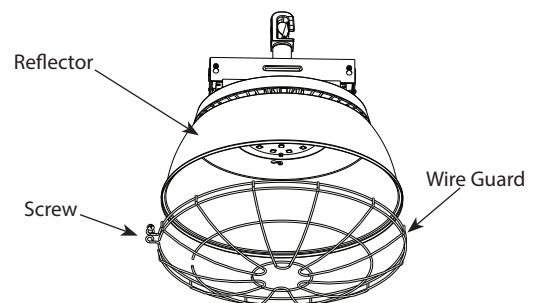
Fig: 6



**Wire Guard Mounting**

1. Mount **Wire Guard** over **Reflector** as shown in *Fig 7*.
2. Tighten **Screw** to secure **Wire Guard**.

Fig: 7



# INSTRUCTIONS

## HAYBAY® INSTALLATION



RAB Lighting is committed to creating high-quality, affordable, well-designed and energy-efficient LED lighting and controls that make it easy for electricians to install and end users to save energy. We'd love to hear your comments. Please call the Marketing Department at 888-RAB-1000 or email: [marketing@rablighting.com](mailto:marketing@rablighting.com)

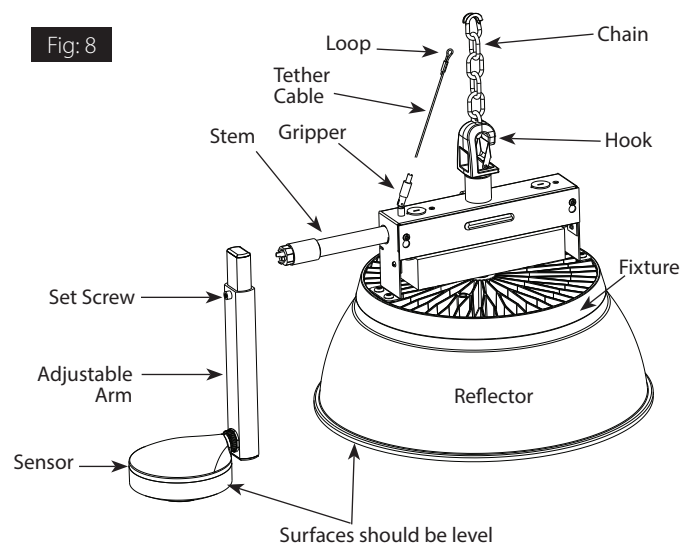
### OCCUPANCY SENSOR MOUNTING

Large sensor kit for use with reflector accessory. Small sensor kit functions and mounts in the same manner.

1. Connect **Adjustable Arm** to **Stem**, which will snap into place as shown (Fig 8).
2. To adjust height of **Adjustable Arm**, loosen **Set Screw**. Bottom of **Arm** should be roughly aligned with bottom of **Reflector** accessory or base of **Fixture**. Tighten **Set Screw** when surfaces are level.

#### To Level Fixture

1. Remove **Tether Cable** from **Gripper**.
2. Feed straight end of **Tether Cable** through closest link on **Chain** and then through the end **Loop** on itself.
3. Continue to feed **Tether Cable** end through **Gripper**.
4. Pull **Tether Cable** and **Gripper** in opposite directions, which will feed more cable through the **Gripper**, until fixture is level.
5. Using approved tools (*supplied by others*), cut away the excess length of **Tether Cable** sticking out of the **Gripper**.

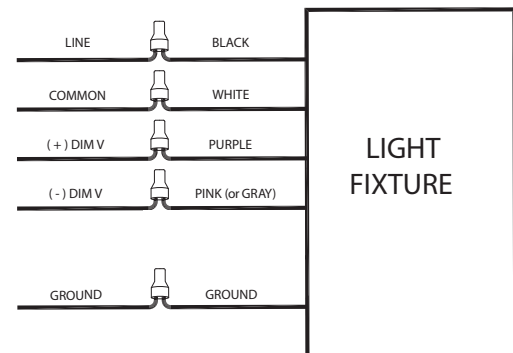


**Note:** These instructions do not cover all details or variations in equipment nor do they provide for every possible situation during installation operation or maintenance.

### 0-10V DIMMABLE WIRING

Universal voltage driver permits operation at 120V thru 277V, 50 or 60 Hz. For 0-10V Dimming follow the wiring directions in Fig. 9.

1. Connect the black fixture lead to the **LINE** supply lead.
2. Connect the white fixture lead to the **COMMON** supply lead.
3. Connect the **GROUND** wire from fixture to supply ground. Do **NOT** connect the **GROUND** of the dimming fixture to the output.
4. Connect the purple fixture lead to the (V+) DIM lead.
5. Connect the pink (*or gray*) fixture lead to the (V-) DIM lead.



### CLEANING & MAINTENANCE

**CAUTION:** Be sure fixture temperature is cool enough to touch. Do not clean or maintain while fixture is energized.

1. Clean fixture and components with non-abrasive cleaning solution.
2. Do not open fixture to clean the LED. Do not touch the LED.

### TROUBLESHOOTING

1. Check that the line voltage at the fixture is correct. Refer to wiring directions.
2. Is the fixture grounded properly?

#### For Sensors:

1. Is motion in detection range?
2. Is sensitivity too high (*false detections*) or too low (*lack of detection*)?



© 2022 RAB LIGHTING INC.  
HAYBAY IN 1221  
73472-RAB

#### Easy Answers

[rablighting.com](http://rablighting.com)  
Visit our website for product info

**Tech Help Line**  
Call our experts: 888 722-1000

**e-mail**  
Answered promptly - [sales@rablighting.com](mailto:sales@rablighting.com)

**Free Lighting Layouts**  
Answered online or by request

**RAB WARRANTY:** RAB's warranty is subject to all terms and conditions found at [rablighting.com/warranty](http://rablighting.com/warranty).