



| | |
|---------------------|--------------|
| Project: | Type: |
| Prepared By: | Date: |

| Driver Info | | LED Info | |
|-------------|------------------|----------------|-----------------|
| Type | Constant Current | Watts | 130W |
| 120V | 1.09A | Color Temp | 4000K (Neutral) |
| 208V | 0.63A | Color Accuracy | 72 CRI |
| 240V | 0.55A | L70 Lifespan | 100,000 Hours |
| 277V | 0.47A | Lumens | 20,580 lm |
| Input Watts | 133.7W | Efficacy | 153.9 lm/W |

Technical Specifications

Compliance

UL Listed:

Suitable for damp locations

Construction

Vibration Rating:

Industry-leading 5G vibration rating per ANSI C136.31

Cold Weather Starting:

The minimum starting temperature is -40°C (-40°F)

Ambient Temperature:

Suitable for use in up to 40°C (104°F)

Housing:

Precision die-cast aluminum with sheet metal driver bracket/mounting

Mounting:

Heavy-duty 3/4" NPS hook and 6 ft cord; is also 3/4" pendant mount capable (pendant by others).

Finish:

Our environmentally friendly polyester powder coatings are formulated for high-durability and long-lasting color

Green Technology:

Mercury and UV free. RoHS-compliant components.

LED Characteristics

LEDs:

Long-life, high-efficiency, surface-mount LEDs

Color Uniformity:

RAB's range of Correlated Color Temperature follows the guidelines of the American National Standard for (SSL) Products, ANSI C78.377-2017.

Performance

Lifespan:

100,000-Hour LED lifespan based on IES LM-80 results and TM-21 calculations

Electrical

Drivers:

Class 1, programmable, constant current, 50/60 Hz, 120-277V, 120V: 1.09A, 208V: 0.63A, 240V: 0.55A, 277V: 0.47A

Surge Protection:

4kV

Other

Reflector Options:

Clear prismatic acrylic reflectors available in 11" or 8.5" height; frosted prismatic acrylic reflectors available in 11" or 8.5" height; white aluminum reflector available in 5" height. Click [here](#) to see all reflectors.

LOS BAY800 Sensor:

Occupancy/Motion Sensor. Sensors can automatically affect the operation of lighting equipment based upon detecting the presence of people in a space. "/>

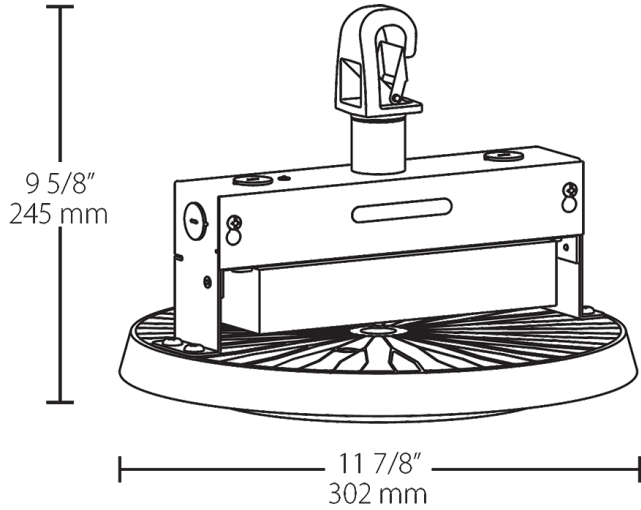
5 Yr Limited Warranty:

The RAB 5-year, limited warranty covers light output, driver performance and paint finish. RAB's warranty is subject to all terms and conditions found at rablighting.com/warranty.

Buy American Act Compliance:

RAB values USA manufacturing! Upon request, RAB may be able to manufacture this product to be compliant with the Buy American Act (BAA). Please contact customer service to request a quote for the product to be made BAA compliant.

Dimensions



Features

- Simple. Affordable, Modular design.
- Open "airflow" design reduces operating temperatures and increases lifespan
- Assortment of reflectors tailor the Haybay to specific applications
- Available with a Lightcloud Controller, Lightcloud Sensor and other compatible RAB sensors

Ordering Matrix

| Family | Wattage | Color Temp | Driver | Sensor Options | Options |
|--------|------------------------------------------------------|----------------------------|-------------------------------|-----------------------------------------------------------------------------------------------------------------------------------------------------------------------------------------------------------------------------------------------------------------|---------------------------------------------------------------|
| HAYBAY | 130 | N | /D10 | /LOSR | |
| | 100 = 100W 130 = 130W 150 = 150W 180 = 180W | Blank = 5000K N = 4000K | /D10 = 0-10V Dimming Standard | Blank = No Sensor /LOS = LOSBAY 800 Sensor - base fixture only /LOSR = LOSBAY 800 Sensor - required for reflector /LC = Lightcloud® Controller /LCS = Lightcloud® Sensor - base fixture only /LCSR = Lightcloud® Sensor - required for reflector | Blank = No Battery Backup /E2 = Emergency Backup, 120-277V |