



Haybay's modular design creates a world of flexibility by keeping your base price low and letting you choose specific options like reflectors, motion sensors and emergency batteries separately.

Color: White

Weight: 14.3 lbs

**Project:**

**Type:**

**Prepared By:**

**Date:**

#### Driver Info

| Type        | Constant Current |
|-------------|------------------|
| 120V        | 0.84A            |
| 208V        | 0.48A            |
| 240V        | 0.42A            |
| 277V        | 0.37A            |
| Input Watts | 101.2W           |

#### LED Info

|                |                 |
|----------------|-----------------|
| Watts          | 100W            |
| Color Temp     | 4000K (Neutral) |
| Color Accuracy | 72 CRI          |
| L70 Lifespan   | 100,000 Hours   |
| Lumens         | 15,785 lm       |
| Efficacy       | 156 lm/W        |

## Technical Specifications

### Lightcloud

#### Lightcloud Sensor Installed:

Occupancy, vacancy, and closed loop daylight harvesting in one versatile sensor. In addition control any fixture in your Lightcloud integrated/embedded networked lighting luminaire-level control system. LLLC - capable of switching, 0-10Vdimming, power/energy monitoring. Can also be used to extend the range of the Lightcloud mesh network communication protocols.

DLC system - N1XMLOEATBA  
[Learn more about Lightcloud.](#)

### Compliance

#### UL Listed:

Suitable for damp locations

### Construction

#### Vibration Rating:

Industry-leading 5G vibration rating per ANSI C136.31

### LED Characteristics

#### LEDs:

Long-life, high-efficiency, surface-mount LEDs

### Other

#### 5 Yr Limited Warranty:

The RAB 5-year, limited warranty covers light output, driver performance and paint finish. RAB's warranty is subject to all terms and conditions found at [rablighting.com/warranty](http://rablighting.com/warranty).

#### Buy American Act Compliance:

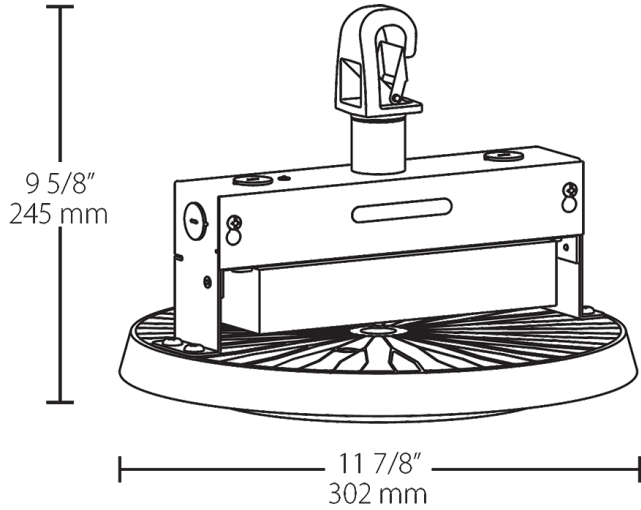
RAB values USA manufacturing! Upon request, RAB may be able to manufacture this product to be compliant with the Buy American Act (BAA). Please contact customer service to request a quote for the product to be made BAA compliant.

### Electrical

#### Drivers:

Class 1, programmable, constant current, 50/60 Hz., 120-277V, 120V: 0.84A, 208V: 0.48A, 240V: 0.42A, 277V: 0.37A

## Dimensions



## Features

- Simple. Affordable, Modular design.
- Open "airflow" design reduces operating temperatures and increases lifespan
- Assortment of reflectors tailor the Haybay to specific applications
- Available with a Lightcloud Controller, Lightcloud Sensor and other compatible RAB sensors

## Ordering Matrix

| Family | Wattage  | Color Temp                 | Driver                          | Sensor Options   | Options   |
|--------|--|----------------------------|---------------------------------|--|---|
| HAYBAY | 100  | N                          | /D10                            | /LCSR  |   |
|        | 100 = 100W<br>130 = 130W<br>150 = 150W<br>180 = 180W | Blank = 5000K<br>N = 4000K | /D10 = 0-10V Dimming (standard) | Blank = No Sensor<br>/LOS = LOSBAY 800 Sensor (base fixture only)<br>/LOS = LOSBAY 800 Sensor (required for reflector)<br>/LC = Lightcloud® Controller<br>/LCS = Lightcloud® Sensor (base fixture only)<br>/LCSR = Lightcloud® Sensor (required for reflector) | Blank = No Battery Backup<br>/E2 = Emergency Backup, 120-277V |