



### Textured White Frame with Crush Sedona Lens

*Note: Fixture will come fully assembled with the frame and lens shown above.*

|                     |              |
|---------------------|--------------|
| <b>Project:</b>     | <b>Type:</b> |
| <b>Prepared By:</b> | <b>Date:</b> |

| Driver Info |                  | LED Info       |                 |
|-------------|------------------|----------------|-----------------|
| Type        | Constant Current | Watts          | 25W             |
| 120V        | 0.22A            | Color Temp     | 4000K (Neutral) |
| 208V        | 0.13A            | Color Accuracy | 91 CRI          |
| 240V        | 0.11A            | R9             | 60              |
| 277V        | 0.1A             | L70 Lifespan   | 50,000 Hours    |
| Input Watts | 25.9W            | Lumens         | 519 lm          |
|             |                  | Efficacy       | 20 lm/W         |

## Technical Specifications

### Compliance

#### UL Listed:

Suitable for damp locations. Recommended for indoor use only.

#### ADA Compliant:

Meets ADA Requirements for wall-mounted luminaires.

#### IESNA LM-79 & lm-80 Testing:

RAB LED luminaires and LED components have been tested by an independent laboratory in accordance with IESNA lm-79 and lm-80

### Performance

#### Lifespan:

50,000-Hour LED lifespan based on IES LM-80 results and TM-21 calculations

#### Wattage Equivalency:

Equivalent to 100W Incandescent

### LED Characteristics

#### LEDs:

Long-life, high-efficacy, surface-mount LEDs; binned and mixed for uniform light output and color

#### Color Stability:

LED color temperature is warrantied to shift no more than 200K in color temperature over a 5-year period

#### Color Uniformity:

RAB's range of Correlated Color Temperature follows the guidelines of the American National Standard for Specifications for the Chromaticity of Solid State Lighting (SSL) Products, ANSI C78.377-2017.

### Electrical

#### Driver:

Constant Current, Class 2, 120-277VAC, 50/60Hz, 350mA or 640mA

#### Dimming Driver:

0 - 10V (at 120-277V), TRIAC and ELV (at 120V only)

#### THD:

12.6% at 120V, 16.1% at 277V

#### Power Factor:

98.4% at 120V, 94.3% at 277V

#### Battery Backup:

Battery backup will operate the LED Lamp for 90 minutes if power fails. Wired for 120V-277V.

#### Battery Backup Light Loss Factor:

0.18

### Construction

#### Housing:

Die-cast and extruded aluminum

#### Mounting:

Wall mount with junction box included

#### Lens:

Acrylic lens with crush sedona print. See [installation sheet](#) for cleaning instructions.

#### Operating Temperature:

-20°C (-4°F) to 40°C (104°F)

#### Green Technology:

Mercury and UV free. RoHS-compliant components.

#### Finish:

Textured White using our environmentally friendly polyester powder coatings are formulated for high-durability and long-lasting color

### Other

#### Bi-Level:

Allows 75%, 50%, 25% output modes

## Technical Specifications (continued)

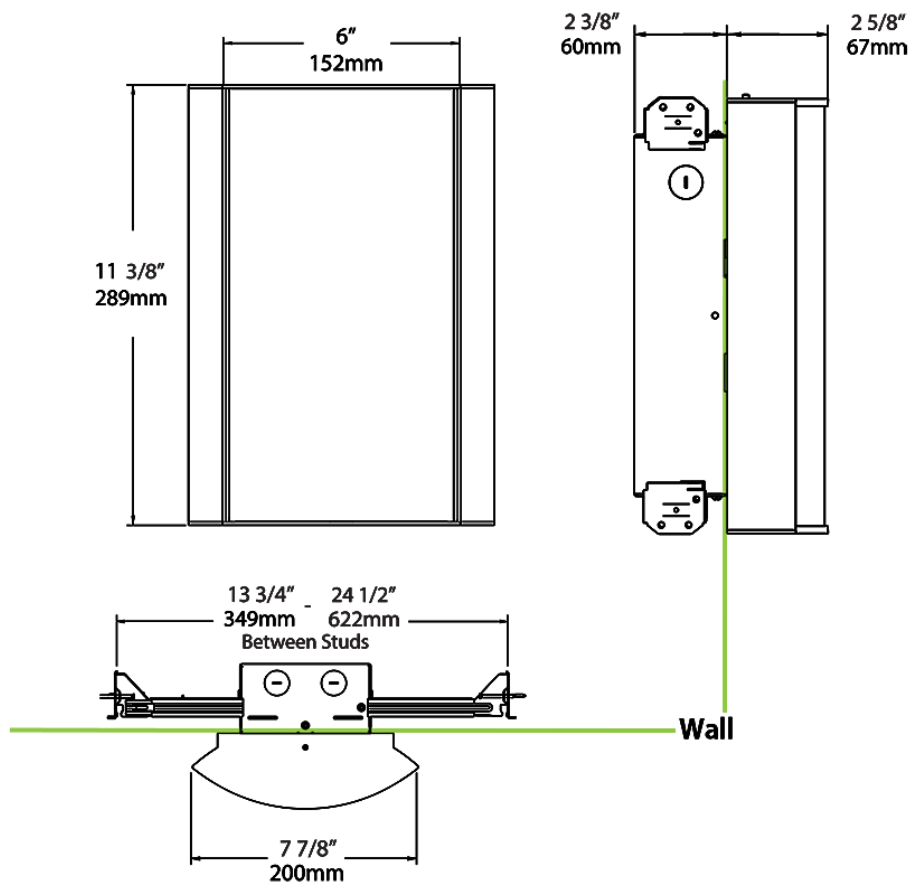
### Warranty:

RAB warrants that our LED products will be free from defects in materials and workmanship for a period of five (5) years from the date of delivery to the end user, including coverage of light output, color stability, driver performance and fixture finish. RAB's warranty is subject to all terms and conditions found at [rablighting.com/warranty](http://rablighting.com/warranty).

### Buy American Act Compliance:

RAB values USA manufacturing! Upon request, RAB may be able to manufacture this product to be compliant with the Buy American Act (BAA). Please contact customer service to request a quote for the product to be made BAA compliant.

## Dimensions



## Ordering Matrix

| Family | Lumen Package | CRI/Color Temp |   | Lens |   | Finish | Options |
|--------|---------------|----------------|---|------|---|--------|---------|
| HALVS  | 18L           | 940            | - | CS   | - | W      | /BL/E2  |

10L = 1000lm / 14W<sup>1</sup>  
 18L = 1800lm / 25W<sup>1</sup>

940 = 90CRI, 4000K  
 935 = 90CRI, 3500K  
 930 = 90CRI, 3000K  
 927 = 90CRI, 2700K

**F** = Frosted (Standard)  
**FG1** = Frosted with Grill Style #1  
**FG2** = Frosted with Grill Style #2  
**FG3** = Frosted with Grill Style #3  
**NL** = Natural Leaves  
**GL** = Green Leaves  
**TL** = Toffee Leaves  
**LW** = Linen Hampton White  
**LS** = Linen Stone  
**LH** = Linen Harbor  
**MS** = Metallic Spun Silver  
**MC** = Metallic Spun Copper  
**MG** = Metallic Spun Gold  
**CW** = Crush Polar White  
**CS** = Crush Sedona  
**MP** = Mirage Platinum  
**MA** = Mirage Bronze

**S** = Silver  
**A** = Antique Bronze  
**SA** = Satin Nickel  
**CU** = Copper  
**W** = White  
**K** = Black

**Blank** = No Option  
**/E2** = Battery Backup  
**/MVS** = Microwave Occupancy Sensor<sup>2</sup>  
**/BL** = Bi-Level Control  
**/LC** = Lightcloud® Controller  
**/MVS/E2** = Microwave Occupancy Sensor w/ Battery Backup<sup>2</sup>  
**/BL/E2** = Bi-Level Control w/ Battery Backup  
**/LC/E2** = Lightcloud® Controller w/ Battery Backup

<sup>1</sup> Lumen values are approximations for models with a standard, frosted lens. Visit [rablighting.com](http://rablighting.com) for exact output based on your specific configuration.

<sup>2</sup> Available only with grill pattern