

Kit includes 2 H101 Bell floodlights pre-assembled on a CU4 universal mounting plate.

Color: White

Weight: 3.2 lbs

Project:	Type:
Prepared By:	Date:

Lamp Info		Ballast Info	
Type	PAR38	Type	N/A
Watts	300W	120V	N/A
Shape/Size	N/A	208V	N/A
Base	N/A	240V	N/A
ANSI	N/A	277V	N/A
Hours	N/A	Input Watts	N/A
Lamp Lumens	N/A		
Efficacy	N/A		

Technical Specifications

Compliance

UL Listed:

Suitable for wet locations. Suitable for mounting within 4ft (1.2m) of the ground. Can be aimed above horizontal with accessory hood or visor.

Electrical

Sockets:

Porcelain with all copper current carrying components

Other

Compatibility with old H100:

H101 floods and accessories replace the discontinued RAB H100 and accessories. Parts are not interchangeable. Contact factory for price and availability of the old H100 Series.

Buy American Act Compliance:

RAB values USA manufacturing! Upon request, RAB may be able to manufacture this product to be compliant with the Buy American Act (BAA). Please contact customer service to request a quote for the product to be made BAA compliant.

Construction

Swivels:

Fully adjustable with sure-grip locks. 1/2" NPS threaded arm with serrated locking swivel fits all standard mounting covers. Color matched EZ Grip lock nuts.

Housings:

Die-cast aluminum with powder coat finish

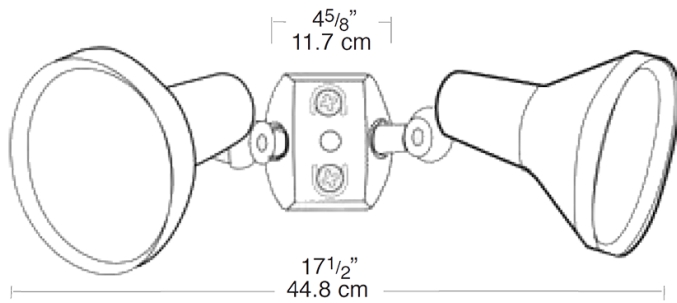
Gaskets:

High-temperature silicone rubber extends around both socket and lamp

Optical

Lamps:

Medium base Par-38 lamps up to 150W. Halogen lamps give brighter light and choice of beam spreads.

Dimensions**Features**

Lamp recessed 1" from lip for side glare reduction

Set screw for hood, grill or visor attachment

Heavy duty mounting arm with internal O-ring, locking teeth, and stainless steel screw

Large Silicone rubber gasket provides weatherproof protection around the lamp and socket

HV1 Visor with integral guard and glass lens for maximum glare reduction and lamp protection

HG1 Guard: Protects lamp from damage and vandalism

HH1 Hood with glass lens reduces glare and protects lamp from water and impact damage