



Color: Black

Weight: 4.7 lbs

**Project:**

**Type:**

**Prepared By:**

**Date:**

### Driver Info

Type	Constant Current
120V	0.83A/0.67A/0.50A
208V	0.48A/0.38A/0.29A
240V	0.42A/0.33A/0.25A
277V	0.36A/0.29A/0.22A
Input Watts	57.78-95.9W

### LED Info

Watts	100/80/60W
Color Temp	N/A
Color Accuracy	N/A
L70 Lifespan	N/A
Lumens	9,205-14,959 lm
Efficacy	143.1-169.9 lm/W

## Technical Specifications

### Field Adjustability

#### Field Adjustable:

Field Adjustable Light Output:  
100W/80W/60W (factory default 100W)  
Color temperature selectable by 3000K, 4000K and 5000K (factory default 4000K)

### Compliance

#### UL Listed:

Suitable for wet locations

#### IESNA LM-79 & LM-80 Testing:

RAB LED luminaires and LED components have been tested by an independent laboratory in accordance with IESNA LM-79 and LM-80.

#### IP Rating:

Ingress protection rating of IP65 for dust and water

#### DLC Listed:

This product is listed by Design Lights Consortium (DLC) as an ultra-efficient premium product that qualifies for the highest tier of rebates from DLC Member Utilities. Designed to meet DLC 5.1 requirements.  
DLC Product Code: S-4711ZQ

### Electrical

#### Driver:

100W: Constant Current, Class 1, 120-277V, 50/60Hz,  
120V: 0.83A, 208V: 0.48A, 240V: 0.42A, 277V: 0.36A  
80W: Constant Current, Class 1, 120-277V, 50/60Hz,  
120V: 0.67A, 208V: 0.38A, 240V: 0.33A, 277V: 0.29A  
60W: Constant Current, Class 1, 120-277V, 50/60Hz,  
120V: 0.50A, 208V: 0.29A, 240V: 0.25A, 277V: 0.22A

#### Dimming Driver:

Driver includes wiring for 0-10V dimming systems.  
Dim as low as 10%.

#### Power Factor:

100W: 99.7% at 120V, 90.9% at 277V  
80W: 99.7% at 120V, 87.3% at 277V  
60W: 99.5% at 120V, 81.5% at 277V

#### Surge Protection:

L-N: 4kV  
L/N-PE: 6kV

### LED Characteristics

#### LEDs:

Long-life, high-efficacy, surface-mount LEDs

#### Color Consistency:

7-step MacAdam Ellipse binning to achieve consistent fixture-to-fixture color

### Color Uniformity:

RAB's range of Correlated Color Temperature follows the guidelines of the American National Standard for Specifications for the Chromaticity of Solid State Lighting (SSL) Products, ANSI C78.377-2017.

### Construction

#### Cold Weather Starting:

The minimum starting temperature is -40°C (-40°F)

#### Ambient Temperature :

Max Power Temp Rating: 50°C (122°F)  
Middle Power Temp Rating: 57°C (135°F)  
Low Power Temp Rating: 63°C (145°F)

#### Housing:

Precision die-cast aluminum

#### Lens:

Polycarbonate lens

#### Reflector:

Polycarbonate and Aluminum (Reflector Accessories Sold Separately)

#### Finish:

Formulated for high durability and long-lasting color

## Technical Specifications (continued)

### Green Technology:

Mercury and UV free. RoHS-compliant components.

### Installation

#### Mounting:

Comes standard with a hanging hook and a 6-foot cord. Heavy-duty 3/4"-14 NPT hook and 3/4"-14 pendant mount capable (pendant by others)

### Lightcloud

#### Lightcloud:

Lightcloud Blue is a Bluetooth mesh wireless lighting control system that allows you to control RAB's various compatible devices. With RAB's patent-pending Rapid Provisioning technology, devices can be quickly and easily commissioned for residential and large commercial applications using the Lightcloud Blue mobile app. Each device in a system can communicate with any other device, eliminating the need for a Gateway or Hub and maximizing the control system's reach.

DLC system - N1XMLOEATBA

[Learn more at www.lightcloud.com](http://www.lightcloud.com)

#### Gateway Required:

No

#### Communication Protocol:

Bluetooth Mesh

#### Range:

Up to 60 ft between standard building materials. Building materials such as brick, concrete, and steel construction may require additional Lightcloud Blue devices to extend around an obstruction. Up to 200 ft clear line of sight (varies by device).

#### Spacing Criteria:

Lightcloud Blue devices should be placed within the specified range to communicate within the Bluetooth Mesh network.

#### Factory Reset:

Method 1: Delete from App

Open the app and access the device settings for the paired device. Be sure that the device is online and select 'Delete'.

Method 2: Rapid Reset Tool

The Rapid Reset process must be done by a professional electrician qualified by RAB. Reach out to your RAB sales manager to request a Rapid Reset Tool. The tool simply needs to be placed directly on the side of the device for 2s or until the fixture flashes 3x, then resets to 100% brightness.

### Input Voltage:

12VDC

### Operating Frequency:

50/60Hz

### Input Current @ 12V (mA):

30mA

### Operating Temperature:

-40°F to 140°F (-20°C to 60°C)

### Dimming:

Yes, when connected to a compatible 0-10V driver

### Mounting Height:

40 ft

### Detection Range:

40 ft diameter mounted at 40 ft

### Sensor:

Passive Infrared (PIR)

### Default Setting:

Uncommissioned State:

Motion Sensitivity: High

Brightness when triggered: 100%

Hold time: 1 minute

Standby to dim: 20%

Standby time: 1 minute

When vacant: Off

Commissioned State:

Motion Sensitivity: High

Brightness when triggered: Last on status

Hold time: 20 minutes

When vacant: Off

### Occupied Actions:

On or On at a Dim Level

### Vacant Options:

Off or On at a Dim Level

### Occupancy Timeout:

1 minute to 240 minutes

### Daylight Sensing:

The sensor will determine to trigger the light(s) on or not based on the daylight threshold level set in the Lightcloud Blue mobile app.

### Environment:

Suitable for dry, damp, or wet environments in indoor applications

### IP Rating:

IP65

### Other

#### Compatible Products:

[H17 Field-Adjustable High Bay Accessories](#)

#### 5 Yr Limited Warranty:

The RAB 5-year, limited warranty covers light output, driver performance and paint finish. RAB's warranty is subject to all terms and conditions found at [rablighting.com/warranty](http://rablighting.com/warranty).

#### Buy American Act Compliance:

RAB values USA manufacturing! Upon request, RAB may be able to manufacture this product to be compliant with the Buy American Act (BAA). Please contact customer service to request a quote for the product to be made BAA compliant.

### Performance

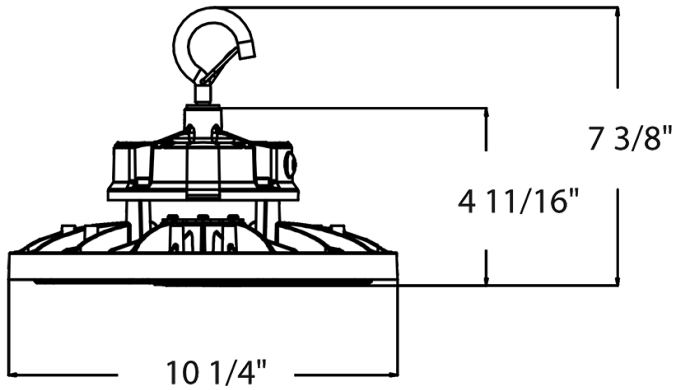
#### Wattage Equivalency:

100W: Equivalent to (8) F32T8 or (3) F5HO or 350W MH

80W: Equivalent to (7) F32T8 or (3) F5HO or 250W MH

60W: Equivalent to (6) F32T8 or (2) F5HO or 200W MH

## Dimensions



## Features

- DLC Premium listed
- 100,000-hour LED Life
- 0-10V dimming standard
- 5-Year, limited warranty

## Ordering Matrix

Family	Wattage	Mounting	Color Temp	Finish	Driver	Options
H17	S			B		/LCBS
	S = 100/80/60W Blank = 150/120/100W XL = 240/200/150W XXL = 500/400/300W	Blank = Hook	Blank = 3000/4000/5000K	B = Black Blank = White	Blank = 120-277V, 0-10V Dimming /480 = 480V, 0-10V Dimming	Blank = No Option /6CP = 6' Cord & 120V Plug /6CP2 = 6' Cord & 277V Plug /6CPT4 = 6' Cord & 480V Plug /LCBS = Lightcloud Blue w/PIR Sensor