



The affordable LED GUSJR is designed to deliver general ambient lighting for surface-mount ceiling/wall or pendant mount applications. Prismatic lens delivers improved visual performance and a more traditional look. Replaces traditional 2' linear fluorescent wraparound fixtures.

Color: White

Weight: 6.0 lbs

Project:	Type:
Prepared By:	Date:

Driver Info		LED Info	
Type	Constant	Watts	20/15/10W
120V	0.17A/0.13A/0.08A	Color Temp	3500K/4000K/5000K
208V	0.10A/0.07A/0.05A	Color Accuracy	83-85 CRI
240V	0.09A/0.07A/0.05A	L70 Lifespan	N/A
277V	0.08A/0.06A/0.05A	Lumens	1,382-2,790 lm
Input Watts	10.6-20.2W	Efficacy	126.2-143.8 lm/W

Technical Specifications

Field Adjustability

Field Adjustable:

Field Adjustable Light Output:

2 ft: 22W/17W/11W (factory default 22W)

Color temperature selectable by 3500K, 4000K and 5000K (factory default 4000K)

Compliance

UL Listed:

Suitable for damp locations

DLC Listed:

This product is on the Design Lights Consortium (DLC) Qualified Products List and is eligible for rebates from DLC Member Utilities. Designed to meet DLC 5.1 requirements.

DLC Product Code: S-IWJQ5M

Electrical

Driver:

20W: Class 1, Constant Current, 120-277V, 50/60 Hz, 120V: 0.17A, 208V: 0.10A, 240V: 0.09A, 277V: 0.08A

15W: Class 1, Constant Current, 120-277V, 50/60 Hz, 120V: 0.13A, 208V: 0.07A, 240V: 0.07A, 277V: 0.06A

10W: Class 1, Constant Current, 120-277V, 50/60 Hz, 120V: 0.08A, 208V: 0.06A, 240V: 0.05A, 277V: 0.04A

Dimming Driver:

Driver includes dimming control wiring for 0-10V dimming systems. Requires separate 0-10V DC dimming circuit. Dims down to 10%.

THD:

7% at 120V, 7% at 277V

Power Factor:

99.5% at 120V, 97.3% at 277V

Surge Protection:

L-N: 2KV
L/N-GND: 4KV

Battery Backup:

Battery backup will operate the fixture for 90 minutes if power fails. Wired for 120-277V.

Battery Backup Light Loss Factor:

20%

Performance

Lifespan:

50,000-Hour LED lifespan based on IES LM-80 results and TM-21 calculations

LED Characteristics

LEDs:

Long-life, high-efficiency, surface-mount LEDs

Color Uniformity:

RAB's range of Correlated Color Temperature follows the guidelines of the American National Standard for Specifications for the Chromaticity of Solid State Lighting (SSL) Products, ANSI C78.377-2017.

Construction

Cold Weather Starting:

The minimum starting temperature is 0°C (32°F)

Maximum Ambient Temperature:

Suitable for use in up to 50°C (122°F)

Housing:

Sheet metal stamping 24 gauge, cold-rolled steel

Reflector:

Sheet metal forming 24 gauge, cold-rolled steel with white powder coat

Lens:

Diffused Polymethyl Methacrylate (PMMA)

Mounting:

Surface mount. Can be mounted with v-hooks (ordered separately).

Finish:

Formulated for high durability and long-lasting color

Technical Specifications (continued)**Green Technology:**

Mercury and UV free. RoHS-compliant components.

Sensor Specifications**PIR Sensor Factory Settings:**

Brightness: 100%

Hold Time: 1 Minute

Daylight: Disabled

Sensitivity: 100%

Stand-By Dimming Level: 20%

Stand-By Time: 1 Minute

Operating Voltage:

12 ± 2V DC

Operating Current:

30mA

Output:

DIM 0-10V

Stand-By Power:

<0.5W

Brightness:

0%-100%/Quick setting: 70%/80%/90%/100%

Hold Time:

10s/1min/10min/30min

Daylight Threshold:

10Lux/30Lux/50Lux/100Lux/Disable

Lux On-Off:

Adopted dual PD technology. H17-PIR is able to differentiate artificial light brightness from natural light after installed inside.

Stand-By Time:

1min/30min/60min/+∞

Stand-By Dimming Level:

10%/20%/30%/50%

Detection Angle:

≤120° (wall mounted) 360° (ceiling mounted)

Control Line:

Black White 12V+ ; Purple: DIM+ ; Pink GND/DIM-

Mounting Height:

Max 6M (ceiling mounted)

Detection Range:

Max 8m (ceiling mounted) Max 6m(wall mounted)

Operating Temperature:

-30°C to 60°C (-22°F to 140°F)

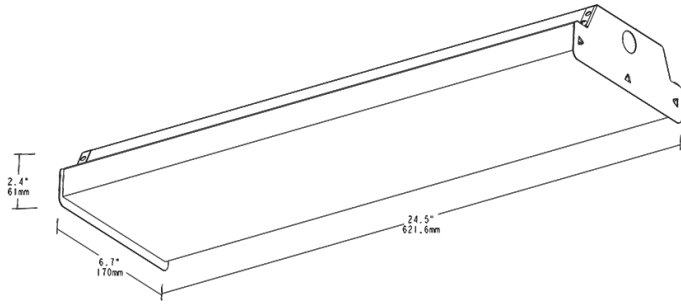
Other**5 Yr Limited Warranty:**

The RAB 5-year, limited warranty covers light output, driver performance and paint finish. RAB's warranty is subject to all terms and conditions found at rablighting.com/warranty.

Buy American Act Compliance:

RAB values USA manufacturing! Upon request, RAB may be able to manufacture this product to be compliant with the Buy American Act (BAA). Please contact customer service to request a quote for the product to be made BAA compliant.

Dimensions



Features

- Affordable, easy to use LED wrap fixture
- 0-10V dimming, standard
- 50,000-Hour LED lifespan

Ordering Matrix

Family	Size (Wattages)	Color Temp	Voltage	Finish	Options
GUSJR	2				/PIR/E
	2 = 2' (20W/15W/10W) 4 = 4' (40W/30W/20W)	Blank = 3500K/4000K/5000K Selectable	Blank = 120-277V, 0-10V Dimming	Blank = White	Blank = No Option /E = Battery Backup /MVS = Microwave Occupancy Sensor /PIR = Passive Infrared Occupancy Sensor /LC = Lightcloud Controller /LCB = Lightcloud® Blue Enabled /LCBS = Lightcloud® Blue Enabled w/ PIR Sensor /LCBS/MVS = Lightcloud® Blue Enabled w/ MVS Sensor /MVS/E = Microwave Occupancy Sensor w/ Battery Backup /PIR/E = Passive Infrared Occupancy Sensor w/ Battery Back Up /LCBS/E = Lightcloud® Blue Enabled w/ PIR Sensor and Battery Backup /LCBS/MVS/E = Lightcloud® Blue Enabled w/ MVS Sensor and Battery Backup