



<b>Project:</b>	<b>Type:</b>
<b>Prepared By:</b>	<b>Date:</b>

Driver Info		LED Info	
Type	Constant	Watts	20/15/10W
120V	0.17A/0.13A/0.08A	Color Temp	3500K/4000K/5000K
208V	0.10A/0.07A/0.05A	Color Accuracy	83-85 CRI
240V	0.09A/0.07A/0.05A	L70 Lifespan	N/A
277V	0.08A/0.06A/0.05A	Lumens	1,382-2,790 lm
Input Watts	10.6-20.2W	Efficacy	126.2-143.8 lm/W

**Technical Specifications**

**Field Adjustability**

**Field Adjustable:**

Field Adjustable Light Output:  
2 ft: 22W/17W/11W (factory default 22W)  
Color temperature selectable by 3500K, 4000K and 5000K (factory default 4000K)

**Compliance**

**UL Listed:**

Suitable for damp locations

**Trade Agreements Act Compliant:**

This product is a product of Cambodia and a "designated country" end product that complies with the Trade Agreements Act

**DLC Listed:**

This product is on the Design Lights Consortium (DLC) Qualified Products List and is eligible for rebates from DLC Member Utilities. Designed to meet DLC 5.1 requirements.  
DLC Product Code: S-IWJQ5M

**Electrical**

**Driver:**

20W: Class 1, Constant Current, 120-277V, 50/60 Hz,  
120V: 0.17A, 208V: 0.10A, 240V: 0.09A, 277V: 0.08A

15W: Class 1, Constant Current, 120-277V, 50/60 Hz,  
120V: 0.13A, 208V: 0.07A, 240V: 0.07A, 277V: 0.06A

10W: Class 1, Constant Current, 120-277V, 50/60 Hz,  
120V: 0.08A, 208V: 0.06A, 240V: 0.05A, 277V: 0.04A

**Dimming Driver:**

Driver includes dimming control wiring for 0-10V dimming systems. Requires separate 0-10V DC dimming circuit. Dims down to 10%.

**THD:**

7% at 120V, 7% at 277V

**Power Factor:**

99.5% at 120V, 97.3% at 277V

**Surge Protection:**

L-N: 2KV  
L/N-GND: 4KV

**Performance**

**Lifespan:**

50,000-Hour LED lifespan based on IES LM-80 results and TM-21 calculations

**LED Characteristics**

**LEDs:**

Long-life, high-efficiency, surface-mount LEDs

**Color Uniformity:**

RAB's range of Correlated Color Temperature follows the guidelines of the American National Standard for Specifications for the Chromaticity of Solid State Lighting (SSL) Products, ANSI C78.377-2017.

**Construction**

**Cold Weather Starting:**

The minimum starting temperature is -20°C (-4°F)

**Maximum Ambient Temperature:**

Suitable for use in up to 45°C (113°F)

**Housing:**

Sheet metal stamping 24 gauge, cold-rolled steel

**Reflector:**

Sheet metal forming 24 gauge, cold-rolled steel with white powder coat

**Lens:**

Diffused Polymethyl Methacrylate (PMMA)

**Mounting:**

Surface mount. Can be mounted with v-hooks (ordered separately).

## Technical Specifications (continued)

**Finish:**

Formulated for high durability and long-lasting color

**Green Technology:**

Mercury and UV free. RoHS-compliant components.

---

**Sensor Specifications****Operating Voltage:**

DC Input: 10.5-15V

Current>50mA

**Operating Temperature:**

Ta: -31° F (-35° C)\* ~ +122° F(+50° C)

**Sensor Warranty:**

5-year sensor warranty

**Sensitivity Setting:**

25%/50%/75%/100%

**Standby Period:**

0s/10s/30s/1min/5min/10min/30min/60min/+∞

**Daylight:**

2Lux/10Lux/30Lux/50Lux/80Lux/120Lux/Disable

**Hold Time:**

5s/30s/1min/3min/5min/10min/20min/30min

**Standby Dimming:**

10%/20%/30%/50%

**Detection Angle:**

30° to 150° without glass cover

**Detection Distance:**

Radius 9.84-22.96ft(3-7m)

**Mounting Height:**

Max 49ft.(15m)

---

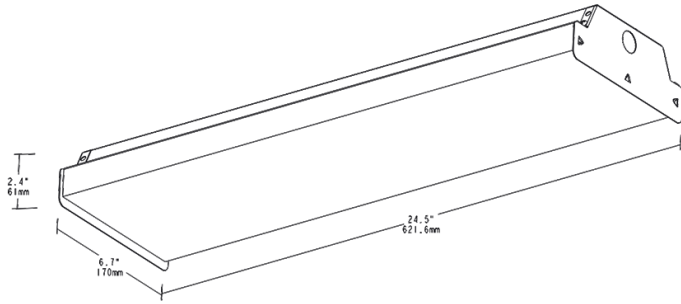
**Other****5 Yr Limited Warranty:**

The RAB 5-year, limited warranty covers light output, driver performance and paint finish. RAB's warranty is subject to all terms and conditions found at [rablighting.com/warranty](http://rablighting.com/warranty).

**Buy American Act Compliance:**

RAB values USA manufacturing! Upon request, RAB may be able to manufacture this product to be compliant with the Buy American Act (BAA). Please contact customer service to request a quote for the product to be made BAA compliant.

**Dimensions**



**Features**

- Affordable, easy to use LED wrap fixture
- 0-10V dimming, standard
- 50,000-Hour LED lifespan

**Ordering Matrix**

Family	Size (Wattages)	Color Temp	Voltage	Finish	Options
GUSJR	2				/MVS
	2 = 2' (20W/15W/10W) 4 = 4' (40W/30W/20W)	Blank = 3500K/4000K/5000K Selectable	Blank = 120-277V, 0-10V Dimming	Blank = White	Blank = No Option /E = Battery Backup /MVS = Microwave Occupancy Sensor /PIR = Passive Infrared Occupancy Sensor /LC = Lightcloud Controller /LCB = Lightcloud® Blue Enabled /LCBS = Lightcloud® Blue Enabled w/ PIR Sensor /LCBS/MVS = Lightcloud® Blue Enabled w/ MVS Sensor /MVS/E = Microwave Occupancy Sensor w/ Battery Backup /PIR/E = Passive Infrared Occupancy Sensor w/ Battery Back Up /LCBS/E = Lightcloud® Blue Enabled w/ PIR Sensor and Battery Backup /LCBS/MVS/E = Lightcloud® Blue Enabled w/ MVS Sensor and Battery Backup