



**Technical Specifications (continued)****Finish:**

Formulated for high durability and long-lasting color

**Green Technology:**

Mercury and UV free. RoHS-compliant components.

**Lightcloud****Lightcloud Blue:**

Lightcloud Blue is a Bluetooth mesh wireless lighting control system that allows you to control RAB's various compatible devices. With RAB's patent-pending Rapid Provisioning technology, devices can be quickly and easily commissioned for residential and large commercial applications using the Lightcloud Blue mobile app. Each device in a system can communicate with any other device, eliminating the need for a Gateway or Hub and maximizing the control system's reach.

DLC system - N1XML0EATBA

[Learn more at www.lightcloud.com](http://www.lightcloud.com)

**Gateway Required:**

No

**Communication Protocol:**

Bluetooth Mesh

**Range:**

Up to 60 feet between standard building materials.  
Up to 200 feet clear line of sight.

**Spacing Criteria:**

Lightcloud Blue devices should be placed within the specified range to communicate within the Bluetooth Mesh network.

**Sensor Specifications****Operating Voltage:**

DC Input: 10.5-15V

Current > 50mA

**Operating Temperature:**

Ta: -31° F (-35° C)\* ~ +122° F (+50° C)

**Sensor Warranty:**

5-year sensor warranty

**Sensitivity Setting:**

25%/50%/75%/100%

**Standby Period:**

0s/10s/30s/1min/5min/10min/30min/60min/+∞

**Daylight:**

2Lux/10Lux/30Lux/50Lux/80Lux/120Lux/Disable

**Hold Time:**

5s/30s/1min/3min/5min/10min/20min/30min

**Standby Dimming:**

10%/20%/30%/50%

**Detection Angle:**

30° to 150° without glass cover

**Detection Distance:**

Radius 9.84-22.96ft(3-7m)

**Mounting Height:**

Max 49ft.(15m)

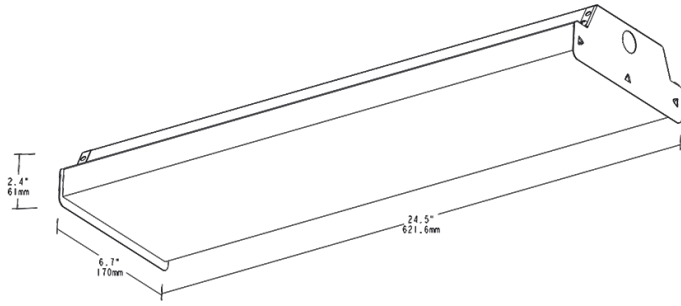
**Other****5 Yr Limited Warranty:**

The RAB 5-year, limited warranty covers light output, driver performance and paint finish. RAB's warranty is subject to all terms and conditions found at [rablighting.com/warranty](http://rablighting.com/warranty).

**Buy American Act Compliance:**

RAB values USA manufacturing! Upon request, RAB may be able to manufacture this product to be compliant with the Buy American Act (BAA). Please contact customer service to request a quote for the product to be made BAA compliant.

Dimensions



Features

- Affordable, easy to use LED wrap fixture
- 0-10V dimming, standard
- 50,000-Hour LED lifespan

Ordering Matrix

Family	Size (Wattages)	Color Temp	Voltage	Finish	Options
GUSJR	2 2 = 2' (20W/15W/10W) 4 = 4' (40W/30W/20W)	Blank = 3500K/4000K/5000K Selectable	Blank = 120-277V, 0-10V Dimming	Blank = White	/LCBS/MVS/E  Blank = No Option /E = Battery Backup /MVS = Microwave Occupancy Sensor /PIR = Passive Infrared Occupancy Sensor /LC = Lightcloud Controller /LCB = Lightcloud® Blue Enabled /LCBS = Lightcloud® Blue Enabled w/ PIR Sensor /LCBS/MVS = Lightcloud® Blue Enabled w/ MVS Sensor /MVS/E = Microwave Occupancy Sensor w/ Battery Backup /PIR/E = Passive Infrared Occupancy Sensor w/ Battery Back Up /LCBS/E = Lightcloud® Blue Enabled w/ PIR Sensor and Battery Backup /LCBS/MVS/E = Lightcloud® Blue Enabled w/ MVS Sensor and Battery Backup