



<b>Project:</b>	<b>Type:</b>
<b>Prepared By:</b>	<b>Date:</b>

Driver Info		LED Info	
Type	Constant Current	Watts	50W
120V	0.38A	Color Temp	4000K (Neutral)
208V	0.26A	Color Accuracy	84 CRI
240V	0.23A	L70 Lifespan	100,000 Hours
277V	0.17A	Lumens	6,596 lm
Input Watts	46.7W	Efficacy	141.2 lm/W

## Technical Specifications

### Lightcloud

#### Lightcloud Blue:

Lightcloud Blue is a Bluetooth mesh wireless lighting control system that allows you to control RAB's various compatible devices. With RAB's patent-pending Rapid Provisioning technology, devices can be quickly and easily commissioned for residential and large commercial applications using the Lightcloud Blue mobile app. Each device in a system can communicate with any other device, eliminating the need for a Gateway or Hub and maximizing the control system's reach.

DLC system - N1XMLOEATBA  
[Learn more at www.lightcloud.com](http://www.lightcloud.com)

#### Gateway Required:

No

#### Communication Protocol:

Bluetooth Mesh

#### Range:

Up to 60 ft between standard building materials.  
Up to 200 ft clear line of sight.

#### Spacing Criteria:

Lightcloud Blue devices should be placed within the specified range to communicate within the Bluetooth Mesh network.

#### Factory Reset:

Method 1: Delete from App  
Open the app and access the device settings for the paired device. Be sure that the device is online and select 'Delete'. The device will flash on/off 5 times and return to full brightness.

#### Method 2: Manual

Locate the device identification button at the top of the Controller under the Lightcloud logo. Press and hold this button for 10s or until the indicator light begins flashing red. If the Controller is attached to a fixture, the fixture will also flash on/off 5x.

### Electrical

#### Driver:

Constant current, Class 2, 120-277V, 50/60 Hz, 120V: 0.38A, 208V: 0.26A, 240V: 0.23A, 277V: 0.17A, 2kV surge protection

#### THD:

3.33% at 120V, 5.42% at 277V

#### Power Factor:

99.7% at 120V, 96.6% at 277V

#### Status Indicator:

The status indicator light is located around the circumference of the top of the Controller.

Solid Green - Nano is paired to the Lightcloud Blue app  
Flashing Red - Nano has been restored to default factory settings

#### Device Identification Button:

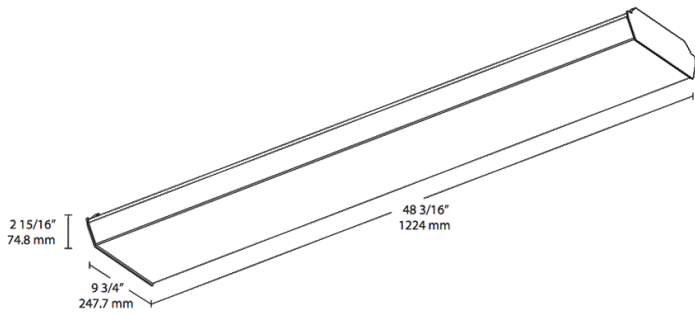
Located at the top of the controller under the Lightcloud logo. Once the Controller has been provisioned to the Lightcloud Blue mobile app this button offers the following functionality:  
Press once to rapid identify this device in the Lightcloud Blue mobile app  
Press twice to toggle circuit on and off  
Press twice and hold to set dim level  
Press and hold for 10s to reset the device to factory settings and into pairing mode

### Other

#### Buy American Act Compliance:

RAB values USA manufacturing! Upon request, RAB may be able to manufacture this product to be compliant with the Buy American Act (BAA). Please contact customer service to request a quote for the product to be made BAA compliant.

**Dimensions**



**Features**

- Energy-efficient, maintenance-free LED wrap fixture
- Multiple mounting options: surface, pendant or chain
- High-reflectance white finish for optimal output
- Diffusion wrap-around lens for smooth light distribution
- 0-10V dimming, standard
- 100,000-Hour LED lifespan

**Ordering Matrix**

Family	Size	Wattage	Color Temp	Finish	Voltage/Driver	Options
GUS	4	50	N	W	/D10	/LCB/E2
	2 = 2 ft 4 = 4 ft	18 = 18W (2 ft) 25 = 25W (2 ft) 36 = 36W (4 ft) 50 = 50W (4 ft)	Y = 3000K Warm YN = 3500K Warm Neutral N = 4000K Neutral Blank = 5000K Cool	W = White	/D10 = 120-277V, 0-10V Dimming	Blank = No Option /E2 = Battery Backup /LC = Lightcloud Controller /LC/E2 = Lightcloud Controller w/Battery Backup /LCB = Lightcloud Blue Enabled /LCB/E2 = Lightcloud Blue Enabled w/Battery Backup