

INSTRUCTIONS

GUS INSTALLATION

RAB®

RAB Lighting is committed to creating high-quality, affordable, well-designed and energy-efficient LED lighting and controls that make it easy for electricians to install and end users to save energy. We'd love to hear your comments. Please call the Marketing Department at 888-RAB-1000 or email: marketing@rablighting.com



GUS- 2FT



GUS - 4FT

IMPORTANT

READ CAREFULLY BEFORE INSTALLING FIXTURE. RETAIN THESE INSTRUCTIONS FOR FUTURE REFERENCE.

RAB fixtures must be wired in accordance with the National Electrical Code and all applicable local codes. Proper grounding is required for safety. THIS PRODUCT MUST BE INSTALLED IN ACCORDANCE WITH THE APPLICABLE INSTALLATION CODE BY A PERSON FAMILIAR WITH THE CONSTRUCTION AND OPERATION OF THE PRODUCT AND THE HAZARDS INVOLVED.

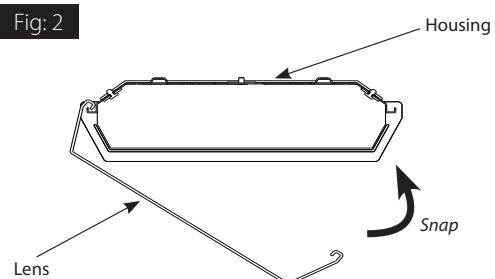
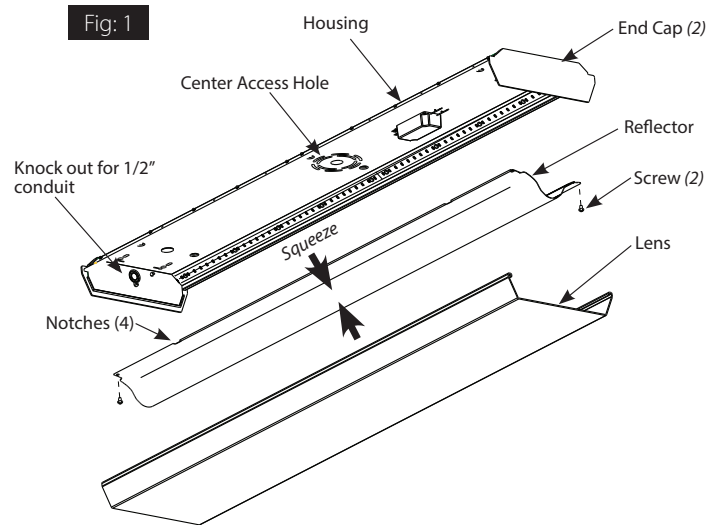
WARNING: Make certain power is OFF before installing or maintaining fixture. No user serviceable parts inside.
Suitable for damp locations.

CEILING MOUNTING

The fixture is suitable for indoor applications.

1. Carefully snap out **Lens** one side at a time from **Housing**.
2. Remove **Screws (2)** from **Reflector** as shown in Fig. 1. Squeeze center of **Reflector** and release from **Notches**.
3. Pull supply wires from Junction Box (*not supplied*) through **Center Access Hole** of **Housing** as shown in Fig. 1. Use appropriate UL rated wire connectors as required by code to make electrical splices to fixture leads.
4. Follow appropriate mounting and wiring instructions per code.
5. Once connections are made push all wires behind the **Reflector**.
6. Replace **Reflector** and secure with **Screws (2)**. Be careful not to pinch wires. Hook **Lens** to one side of **Housing** and snap **Lens** into place as shown in Fig. 2.
7. Remove plastic film from Lens.

WARNING: To prevent wiring damage or abrasion, do not expose wiring to edges of sharp objects.



INSTRUCTIONS

GUS INSTALLATION



RAB Lighting is committed to creating high-quality, affordable, well-designed and energy-efficient LED lighting and controls that make it easy for electricians to install and end users to save energy. We'd love to hear your comments. Please call the Marketing Department at 888-RAB-1000 or email: marketing@rablighting.com

SURFACE MOUNTING

The fixture is suitable for indoor applications for ceiling or wall mounting. Mount to a recessed junction box as follows:

1. Secure **Housing** to junction box or mount **Housing** directly to sturdy surface by using the **Drill Locations** (6 holes for 4ft fixture, 4 holes for 2ft fixture) Fig. 3. Use the appropriate mounting hardware for the mounting surface.
2. Follow steps 5 and 6 in Ceiling Mounting section.

CONDUIT MOUNTING

Housing can be mounted with 1/2" conduit on the End cap.

1. Knock out the conduit location before removing the **Lens**.
2. Pull supply wires from Conduit (*not supplied*) through **Knock out Hole** of **Housing** as shown in Fig. 1.
3. Remove **Lens** and **Reflector** to access the fixture wire.
4. Follow appropriate mounting and wiring instructions per code.

PENDANT MOUNTING

The fixture is suitable for pendant mounting indoor applications.

1. For pendant mounting, secure 1/2" **Pendant** (*not provided*) into the two respective holes located on the back of the fixture as shown in Fig. 4.
2. Pass the Supply wires through the **Pendant** and make electrical connections according to code.
3. Secure **Housing** to **Pendant** with the locknut from the inside as shown in Fig 4. Use the appropriate mounting hardware for mounting **Pendant** to mounting surface.

V-HOOK MOUNTING

The fixture can be mounted using V-Hooks.
(ordered separately as *VHOOKGUSJR*)

1. Mount **VHOOKGUSJR** to the housing as shown in Fig. 5.
2. For electrical wiring, snap out the **Lens** and **Reflector** as shown in Fig.1.
3. Pull supply wires in fixture through **Center Access Hole**. Use appropriate UL rated wire connectors as required by code to make electrical splices to fixture leads.

Fig: 3

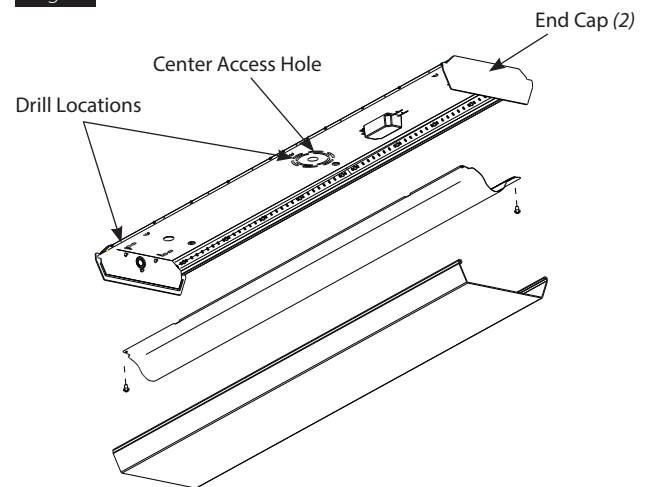


Fig: 4

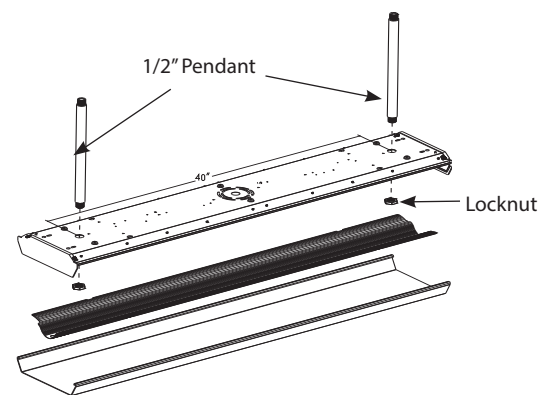
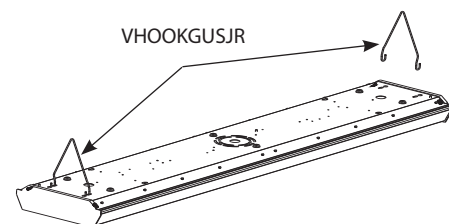


Fig: 5



INSTRUCTIONS

GUS INSTALLATION



RAB Lighting is committed to creating high-quality, affordable, well-designed and energy-efficient LED lighting and controls that make it easy for electricians to install and end users to save energy. We'd love to hear your comments. Please call the Marketing Department at 888-RAB-1000 or email: marketing@rablighting.com

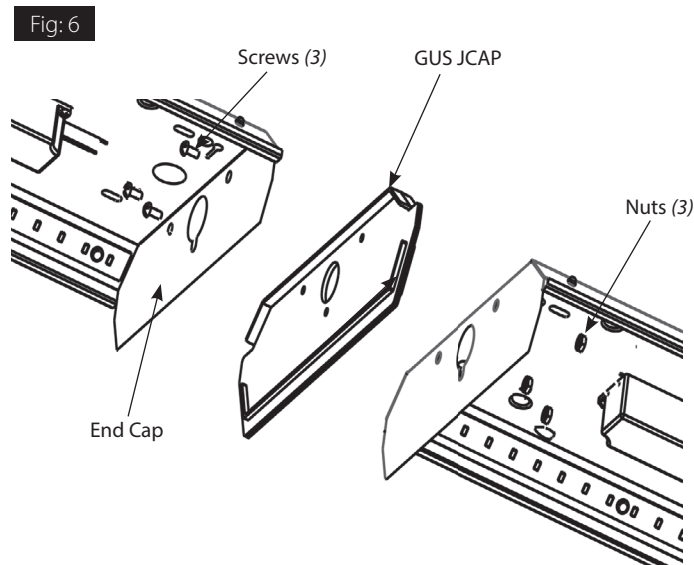
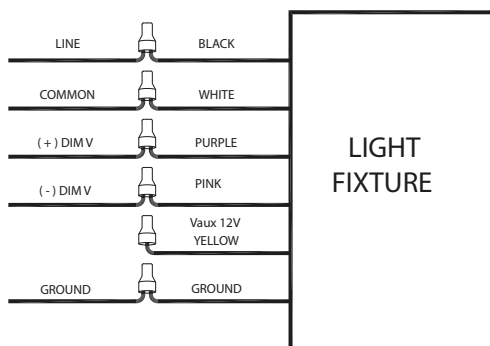
ACCESSORIES - GUS JCAP

1. Remove **End Caps (2)** from both **Housings** and replace with **GUS JCAP (ordered separately)**.
2. Secure **GUS JCAP** with **Screws (3)** and **Nuts (3)** provided as shown in **Fig. 6** to join both **Housings**.
3. Follow directions on Page 1 to secure **Housings** to mounting surface. If necessary feed wires through from one fixture to the other.

0-10V DIMMABLE WIRING

Universal voltage driver permits operation at 120V through 277V, 50 or 60 Hz. For 0-10V dimming, follow the wiring diagram as shown in Fig. 7.

1. Connect the black fixture lead to the **LINE** supply lead.
2. Connect the white fixture lead to the **COMMON** supply lead.
3. Connect the **GROUND** wire from fixture to supply ground.
4. Connect the purple fixture lead to the (V+) DIM lead.
5. Connect the pink fixture lead to the (V-) DIM lead.
6. Cap the yellow fixture lead, if present. Do NOT connect.



CLEANING & MAINTENANCE

CAUTION: Be sure fixture temperature is cool enough to touch. Do not clean or maintain while fixture is energized.

1. Clean acrylic lens with non-abrasive cleaning solution.
2. Do not open the fixture to clean the LEDs. Do not touch the LEDs.

TROUBLESHOOTING

1. Check that the line voltage at the fixture is correct. Refer to wiring directions.
2. Is the fixture grounded properly?

Note: These instructions do not cover all details or variations in equipment nor do they provide for every possible situation during installation, operation or maintenance.

INSTRUCTIONS

GUS INSTALLATION



RAB Lighting is committed to creating high-quality, affordable, well-designed and energy-efficient LED lighting and controls that make it easy for electricians to install and end users to save energy. We'd love to hear your comments. Please call the Marketing Department at 888-RAB-1000 or email: marketing@rablighting.com

BATTERY BACKUP MODELS

WIRING

CAUTION: FOR BATTERY BACKUP FIXTURE.

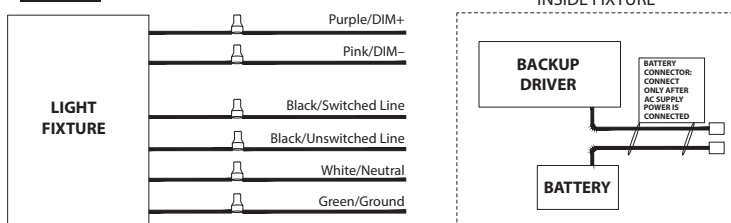
Voltage can be present in **BATTERY**. To prevent high voltage from being present on output leads, inverter connector must be open. Do not join **BATTERY** connector until installation is complete and AC power is supplied to the emergency driver (Fig. 8).

NOTE: Make sure that the necessary branch circuit wiring is available. An **UNSWITCHED AC** source of power is required. The emergency driver must be fed from the same branch circuit as the LED driver.

CAUTION: Do not use any supply voltage other than 120-277V 50/60 HZ.

1. Connect **UNSWITCHED HOT** fixture lead to **HOT AC** supply line.
2. If using an **UNSWITCHED** circuit, connect **UNSWITCHED** and **SWITCHED** lines together.
3. If using a **SWITCHED** circuit, connect **SWITCHED HOT AC**
4. For 0-10V Dimming, connect **DIM (+)** purple and **DIM (-)** pink leads to dimming connections.
5. All unused leads must be capped and insulated.
6. After installation is complete, supply **AC power** to the fixture and connect the **BATTERY**.
7. When power is on, the fixture should be on and the **Charging Indicator Light** should illuminate to indicate the battery is charging.
8. Once the **BATTERY** has charged for at least one hour, a short duration test may be performed by pressing the test button.
9. After the battery has charged for 24 hours, a long duration test can be performed by shutting power to the fixture.

Fig: 8



OPERATION

1. When AC power is applied, the charging indicator light is illuminated, indicating that the **BATTERY** is being charged.
Note: The charging indicator light and test switch are located on the LED tray below the lens.
2. When power fails the standby power automatically switches to emergency power (*internal battery*) operating at reduced illumination. The emergency driver supplies standby power for a minimum of 90 minutes.
3. When AC power is restored, the emergency driver automatically returns to charging mode.

MAINTENANCE

Although no routine maintenance is required to keep the emergency driver functional it should be checked periodically to ensure that it is working. The following schedule is recommended:

1. Visually inspect the charging indicator light monthly. It should be illuminated.
2. Test the emergency operation of the fixture at 30-day intervals for a minimum of 30 seconds.
3. Conduct a 90-minute discharge test once a year. Fixture would operate at reduced illumination for a minimum of 90 minutes.

TROUBLESHOOTING

1. Is the fixture grounded properly?
2. If the charging indicator light does not illuminate after pressing the test button, check if battery is connected properly.

Note: These instructions do not cover all details or variations in equipment nor do they provide for every possible situation during installation, operation or maintenance.



© 2022 RAB LIGHTING Inc.
GUS-IN-1122
73372-RAB

Easy Answers

rablighting.com
Visit our website for product info

Tech Help Line
Call our experts: 888 722-1000

e-mail
Answered promptly - sales@rablighting.com

Free Lighting Layouts
Answered online or by request

RAB WARRANTY: RAB's warranty is subject to all terms and conditions found at rablighting.com/warranty.