

The affordable LED GUS is designed to deliver general ambient lighting for surface-mount ceiling/wall or pendant mount applications. Diffusion lens delivers improved visual performance and a more refined look. Replaces traditional 2' linear fluorescent wraparound fixtures.

Color: White

Weight: 8.3 lbs

Project:

Type:

Prepared By:

Date:

Driver Info

Type	Constant Current
120V	0.16A
208V	0.09A
240V	0.08A
277V	0.07A
Input Watts	20.3W

LED Info

Watts	18W
Color Temp	4000K (Neutral)
Color Accuracy	84 CRI
L70 Lifespan	100,000 Hours
Lumens	2,847 lm
Efficacy	139.9

Technical Specifications

Lightcloud

Lightcloud Blue:

Lightcloud Blue is a Bluetooth mesh wireless lighting control system that allows you to control RAB's various compatible devices. With RAB's patent-pending Rapid Provisioning technology, devices can be quickly and easily commissioned for residential and large commercial applications using the Lightcloud Blue mobile app. Each device in a system can communicate with any other device, eliminating the need for a Gateway or Hub and maximizing the control system's reach.

DLC system - N1XMLOEATBA
[Learn more at www.lightcloud.com](http://www.lightcloud.com)

Gateway Required:

No

Communication Protocol:

Bluetooth Mesh

Range:

Up to 60 ft between standard building materials.
 Up to 200 ft clear line of sight.

Spacing Criteria:

Lightcloud Blue devices should be placed within the specified range to communicate within the Bluetooth Mesh network.

Factory Reset:

Method 1: Delete from App
 Open the app and access the device settings for the paired device. Be sure that the device is online and select 'Delete'. The device will flash on/off 5 times and return to full brightness.

Method 2: Manual

Locate the device identification button at the top of the Controller under the Lightcloud logo. Press and hold this button for 10s or until the indicator light begins flashing red. If the Controller is attached to a fixture, the fixture will also flash on/off 5x.

Electrical

Driver:

Class P, Constant Current, 120-277V, 50-60Hz, 4kV,
 120V: 0.16A, 208V: 0.09A, 240V: 0.08A, 277V: 0.07A

THD:

6.48% at 120V, 11.46% at 277V

Power Factor:

98.7% at 120V, 96.9% at 277V

Status Indicator:

The status indicator light is located around the circumference of the top of the Controller.

Solid Green - Nano is paired to the Lightcloud Blue app

Flashing Red - Nano has been restored to default factory settings

Device Identification Button:

Located at the top of the controller under the Lightcloud logo.

Once the Controller has been provisioned to the Lightcloud Blue mobile app this button offers the following functionality:

Press once to rapid identify this device in the Lightcloud Blue mobile app

Press twice to toggle circuit on and off
 Press twice and hold to set dim level

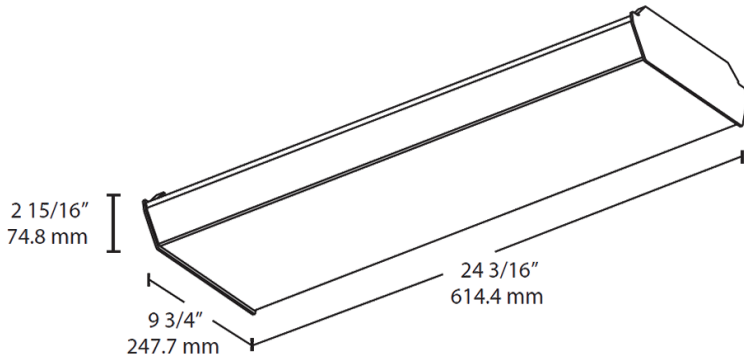
Press and hold for 10s to reset the device to factory settings and into pairing mode

Other

Buy American Act Compliance:

RAB values USA manufacturing! Upon request, RAB may be able to manufacture this product to be compliant with the Buy American Act (BAA). Please contact customer service to request a quote for the product to be made BAA compliant.

Dimensions



Features

- Energy-efficient, maintenance-free LED wrap fixture
- Multiple mounting options: surface, pendant or chain
- High-reflectance white finish for optimal output
- Diffusion wrap-around lens for smooth light distribution
- 0-10V dimming, standard
- 100,000-Hour LED lifespan

Ordering Matrix

Family	Size	Wattage	Color Temp	Finish	Voltage/Driver	Options
GUS	2	18	N	W	/D10	/LCB
	2 = 2 ft 4 = 4 ft	18 = 18W (2 ft) 25 = 25W (2 ft) 36 = 36W (4 ft) 50 = 50W (4 ft)	Y = 3000K Warm YN = 3500K Warm Neutral N = 4000K Neutral Blank = 5000K Cool	W = White	/D10 = 120-277V, 0-10V Dimming	Blank = No Option /E2 = Battery Backup /LC = Lightcloud Controller /LC/E2 = Lightcloud Controller w/Battery Backup /LCB = Lightcloud Blue Enabled /LCB/E2 = Lightcloud Blue Enabled w/Battery Backup

¹ GUS4 only