



The affordable LED GUS is designed to deliver general ambient lighting for surface-mount ceiling/wall or pendant mount applications. Diffusion lens delivers improved visual performance and a more refined look. Replaces traditional 2' linear fluorescent wraparound fixtures.

Color: White

Weight: 8.3 lbs

<b>Project:</b>	<b>Type:</b>
<b>Prepared By:</b>	<b>Date:</b>

Driver Info		LED Info	
Type	Constant Current	Watts	18W
120V	0.16A	Color Temp	4000K (Neutral)
208V	0.09A	Color Accuracy	84 CRI
240V	0.08A	L70 Lifespan	100,000 Hours
277V	0.07A	Lumens	2,847 lm
Input Watts	20.3W	Efficacy	139.9

## Technical Specifications

### Compliance

#### UL Listed:

Suitable for damp locations

#### DLC Listed:

This product is on the Design Lights Consortium (DLC) Qualified Products List and is eligible for rebates from DLC Member Utilities. Designed to meet DLC 5.1 requirements.

DLC Product Code: PHTJRVSY

### Performance

#### Lifespan:

100,000-Hour LED lifespan based on IES LM-80 results and TM-21 calculations

#### Wattage Equivalency:

Equivalent to (2) F32T8

### LED Characteristics

#### Color Stability:

LED Color temperature is warranted to shift no more than 200K in color temperature over a 5-year period

#### Color Uniformity:

RAB's range of Correlated Color Temperature follows the guidelines of the American National Standard for Specifications for the Chromaticity of Solid State Lighting (SSL) Products, ANSI C78.377-2017.

### Construction

#### Maximum Ambient Temperature:

Suitable for use in up to 40°C (104°F)

#### Housing:

Die-formed 22 gauge, cold-rolled, post-painted steel. Post painting improves durability of the finish and eliminates the sharp edges making handling and installation safer.

#### Mounting:

Surface mount. Can be mounted with chains or v-hooks by others.

#### Lens:

Acrylic lens with diffusion for enhanced optical performance

#### Reflector:

Aluminum with high-reflectance (91%) powder coat applied post production for a more durable finish

#### Finish:

Formulated for high durability and long-lasting color

#### Green Technology:

Mercury and UV free. RoHS-compliant components.

### Lightcloud

#### Lightcloud Controller Installed:

Integrated/embedded networked lighting control, luminaire-level lighting control. Fixture, Zone, and plug-load control from one powerful device. LLLC - capable of switching, 0-10V dimming, power/energy monitoring. Can also be used to extend the range of the Lightcloud mesh network communication protocols. Offers the capability to set the maximum light output to a less-than-maximum state of an individual luminaire at the time of installation or commissioning. The High-End trim functionality is field reconfigurable via the Lightcloud mesh network communication protocols. The Lightcloud controller can be attached to the fixture, junction box, or electrical panel.

DLC system - N1XMLOEATBA

[Learn more about Lightcloud.](#)

### Electrical

#### Driver:

Class P, Constant Current, 120-277V, 50-60Hz, 4kV, 120V: 0.16A, 208V: 0.09A, 240V: 0.08A, 277V: 0.07A

#### Dimming Driver:

Driver includes dimming control wiring for 0-10V dimming systems. Requires separate 0-10V DC dimming circuit. Dims down to 10%.

**Technical Specifications (continued)****THD:**

6.48% at 120V, 11.46% at 277V

**Power Factor:**

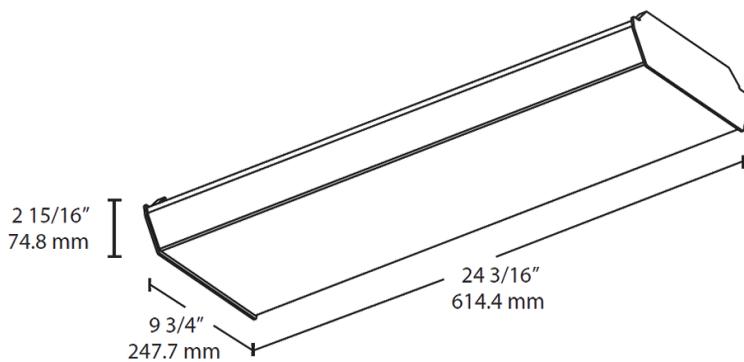
98.7% at 120V, 96.9% at 277V

**Other****Warranty:**

RAB warrants that our LED products will be free from defects in materials and workmanship for a period of five (5) years from the date of delivery to the end user, including coverage of light output, color stability, driver performance and fixture finish. RAB's warranty is subject to all terms and conditions found at [rablighting.com/warranty](http://rablighting.com/warranty).

**Buy American Act Compliance:**

RAB values USA manufacturing! Upon request, RAB may be able to manufacture this product to be compliant with the Buy American Act (BAA). Please contact customer service to request a quote for the product to be made BAA compliant.

**Dimensions****Features**

- Energy-efficient, maintenance-free LED wrap fixture
- Multiple mounting options: surface, pendant or chain
- High-reflectance white finish for optimal output
- Diffusion wrap-around lens for smooth light distribution
- 0-10V dimming, standard
- 100,000-Hour LED lifespan

## Ordering Matrix

Family	Size		Wattage	Color Temp	Finish	Driver Options
GUS	2	-	18	N	W	/D10/LC

4 = 4 ft  
2 = 2 ft

18 = 18W (2 ft)  
25 = 25W (2 ft)  
36 = 36W (4 ft)  
50 = 50W (4 ft)

Blank = 5000K Cool  
N = 4000K Neutral  
YN = 3500K Warm Neutral  
Y = 3000K Warm

W = White

/D10 = 0-10V Dimming  
/D10/E2 = 0-10V Dimming w/ Battery Backup <sup>1</sup>  
/D10/LC = 0-10V Dimming w/ Lightcloud® Controller  
/D10/LCB = 0-10V Dimming w/ Lightcloud® Blue Enabled  
/D10/LC/E2 = 0-10V Dimming w/ Lightcloud® Controller and Battery Backup  
/D10/LCB/E2 = 0-10V Dimming w/ Lightcloud® Blue Enabled and Battery Backup

<sup>1</sup> GUS4 only